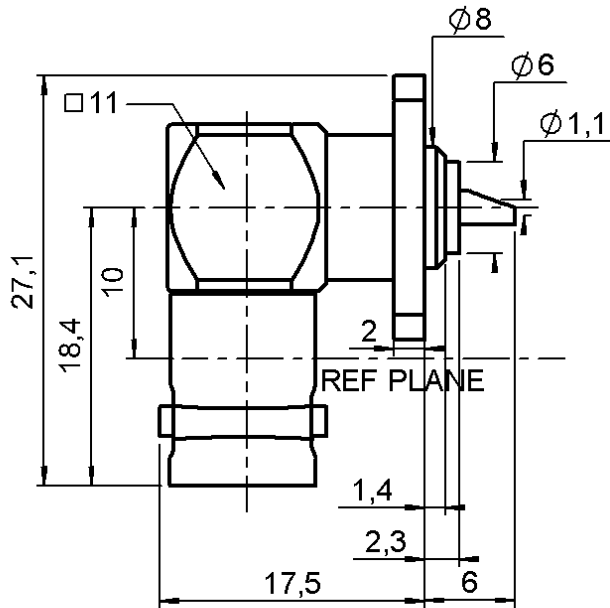
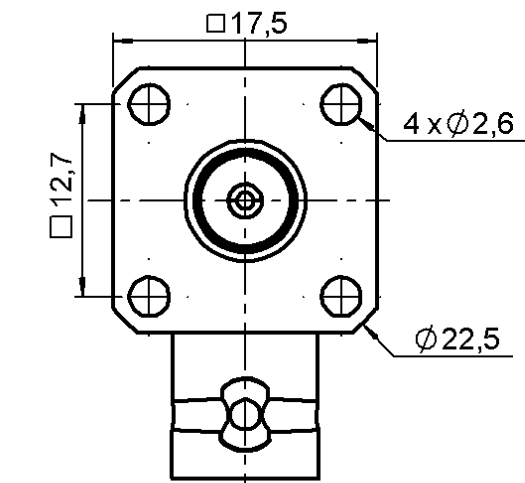


RIGHT ANGLE JACK RECEPTACLE
SQUARE FLANGE WITH SOLDER POT CONTACT

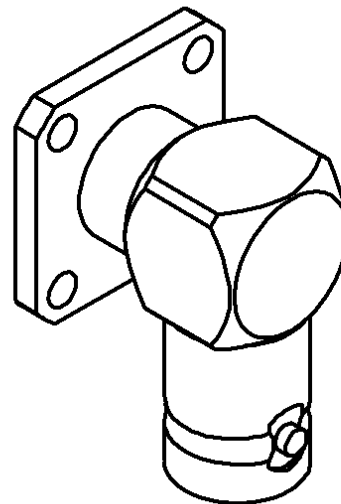
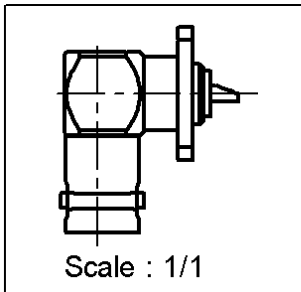
R141.654.000

Series : BNC



PANEL CUT OUT

| | mm | |
|---|------|------|
| | Maxi | mini |
| A | 8.3 | 8.2 |
| B | 2.6 | 2.5 |
| C | 12.7 | 12.8 |



All dimensions are in mm.



| COMPONENTS | MATERIALS | PLATINGS (µm) |
|----------------|------------------|------------------------|
| BODY | BRASS | NICKEL 2 |
| CENTER CONTACT | BERYLLIUM COPPER | GOLD 0.5 OVER NICKEL 2 |
| OUTER CONTACT | - | - |
| INSULATOR | PTFE | - |
| GASKET | - | - |
| OTHERS PARTS | - | - |
| - | - | - |
| - | - | - |

Issue : 0409 W

In the effort to improve our products, we reserve the right to make changes judged to be necessary.



RIGHT ANGLE JACK RECEPTACLE
SQUARE FLANGE WITH SOLDER POT CONTACT

R141.654.000

Series : BNC

PACKAGING

SPECIFICATION

| Standard | Unit | Other |
|------------|-------------------|-------------------|
| 100 | 'W' option | Contact us |

ELECTRICAL CHARACTERISTICS

| | | |
|---------------------------------|---------------|-----------------------------|
| Impedance | | 50 Ω |
| Frequency | | 0-4 GHz |
| VSWR | 1.25 + | 0.000 x F(GHz) Maxi |
| Insertion loss | | 0.05 √F(GHz) dB Maxi |
| RF leakage | - (| 57 - F(GHz)) dB Maxi |
| Voltage rating | | 500 Veff Maxi |
| Dielectric withstanding voltage | | 1500 Veff mini |
| Insulation resistance | | 5000 MΩ mini |

ENVIRONMENTAL

| | |
|-----------------------|---------------------|
| Operating temperature | -65/+165 ° C |
| Hermetic seal | NA Atm.cm3/s |
| Panel leakage | NA |

OTHERS CHARACTERISTICS

Assembly instruction **NA**

Others :

MECHANICAL CHARACTERISTICS

| | |
|----------------------------|------------------------|
| Center contact retention | |
| Axial force – Mating end | 18 N mini |
| Axial force – Opposite end | 18 N mini |
| Torque | 2.8 N.cm mini |
| Recommended torque | |
| Mating | NA N.cm |
| Panel nut | NA N.cm |
| Mating life | 500 Cycles mini |
| Weight | 17.000 g |

Issue : 0409 W

In the effort to improve our products, we reserve the right to make changes judged to be necessary.



X-ON Electronics

Largest Supplier of Electrical and Electronic Components

Click to view similar products for [RF Connectors / Coaxial Connectors](#) category:

Click to view products by [Radiall](#) manufacturer:

Other Similar products are found below :

[8915-1511-000](#) [89674-0827](#) [6001-7071-019](#) [6002-7051-003](#) [6002-7551-202](#) [6059674-1](#) [619550-1](#) [630059-000](#) [M39030/3-01N](#) [6500-7071-046](#) [6769](#) [CX050L2AQ](#) [7002-1541-010](#) [7002-1542-011](#) [7004-1512-000](#) [7009-1511-004](#) [7010-1511-000](#) [7029-1511-060](#) [7101-1541-010](#) [7101-1571-002](#) [7145-1521-002](#) [7203-1571-003](#) [7209-1511-011](#) [7210-1511-015](#) [7210-1511-019](#) [73137-5015](#) [73216-2241](#) [73404-2300](#) [7405-1521-005](#) [7405-1521-802](#) [8527](#) [8547](#) [FS11V](#) [877931](#) [8808-1511-001](#) [9049-9513-000](#) [9074-9513-000](#) [9101-9573-002](#) [910A205F](#) [9130-9573-002](#) [PL11SC-026](#) [PL375-33](#) [PL40-5](#) [PL74C-221](#) [PL75MC-217](#) [PL803-7](#) [1200690078](#) [1-201144-1](#) [R107003010W](#) [R110A172100](#)