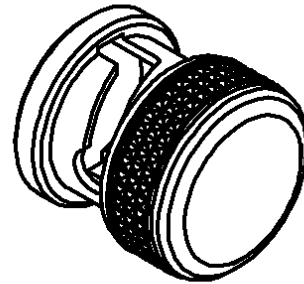
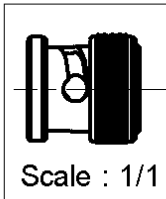
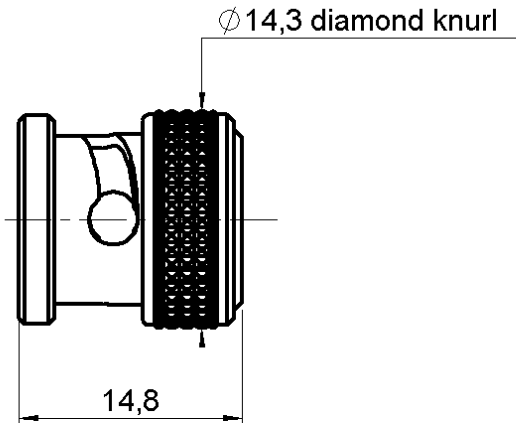


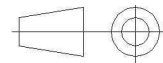
**MALE PROTECTION CAP**

**R141.802.000**

Series : **BNC**



All dimensions are in mm.



COMPONENTS	MATERIALS	PLATING (µm)
<b>BODY</b>	<b>BRASS</b>	<b>NICKEL 2</b>
<b>CENTER CONTACT</b>	-	-
<b>OUTER CONTACT</b>	-	-
<b>INSULATOR</b>	-	-
<b>GASKET</b>	<b>SILICONE RUBBER</b>	-
<b>OTHERS PARTS</b>	-	-
-	-	-
-	-	-

**Issue : 9848 M**

In the effort to improve our products, we reserve the right to make changes judged to be necessary.



**MALE PROTECTION CAP**

**R141.802.000**

Series : **BNC**

**PACKAGING**

**SPECIFICATION**

Standard	Unit	Other
<b>100</b>	<b>'W' option</b>	<b>Contact us</b>

**QAE 06-02 - -**

**ELECTRICAL CHARACTERISTICS**

**ENVIRONMENTAL**

Impedance **50 Ω**  
 Frequency **NA GHz**  
 VSWR **NA + 0,0000 x F(GHz) Maxi**  
 Insertion loss **NA √F(GHz) dB Maxi**  
 RF leakage **- ( NA - F(GHz)) dB Maxi**  
 Voltage rating **NA Veff Maxi**  
 Dielectric withstanding voltage **NA Veff mini**  
 Insulation resistance **NA MΩ mini**

Operating temperature **-65/+165 ° C**  
 Hermetic seal **NA Atm.cm3/s**  
 Panel leakage **NA**

**OTHER CHARACTERISTICS**

Assembly instruction

Others :  
 -

**MECHANICAL CHARACTERISTICS**

Center contact retention  
 Axial force – Mating end **NA N mini**  
 Axial force – Opposite end **NA N mini**  
 Torque **NA N.cm mini**

Recommended torque  
 Mating **NA N.cm**  
 Panel nut **NA N.cm**

Mating life **500 Cycles mini**  
 Weight **6,5000 g**

**Issue : 9848 M**

In the effort to improve our products, we reserve the right to make changes judged to be necessary.



## X-ON Electronics

Largest Supplier of Electrical and Electronic Components

*Click to view similar products for [RF Connector Accessories](#) category:*

*Click to view products by [Radiall](#) manufacturer:*

Other Similar products are found below :

[89674-0712](#) [F702RX24](#) [FERRULE-174](#) [R141802000](#) [R141805000](#) [R141842000](#) [R161862000](#) [R161862000W](#) [R280752000](#) [R280907000](#)  
[R694261906](#) [RFI21-13](#) [RFI75-13-D2](#) [RFI75-4-D2](#) [AX102906](#) [AX102907](#) [18097-0013](#) [HP-375](#) [HP-500](#) [2098-0294-00](#) [2098-3251-94](#) [KA-](#)  
[81-05](#) [89674-0805](#) [F1](#) [FERRULE-223](#) [202102-11](#) [213337-1](#) [220222-2](#) [24092671A](#) [24092678A](#) [R280468000](#) [R280510000](#) [R282862060](#)  
[RFI155-1](#) [RFI25-12-D3](#) [RFI25-5](#) [RFI25-5-D3](#) [RFI75-12-D2](#) [RFI75-2-D2](#) [RFI75-4-D3](#) [RFI77-6](#) [360HS001M2508M6](#) [4-1532137-4](#) [5-21085-](#)  
[0](#) [105274-1000](#) [111062-0490](#) [112122-SOD-LUG](#) [112-NUT-KNURL](#) [IPP-2014](#) [R280490020](#)