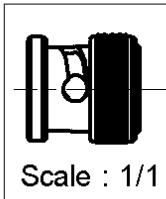
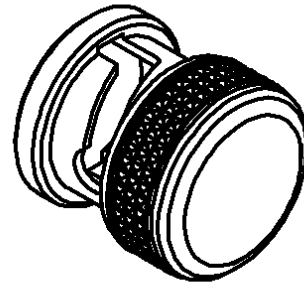
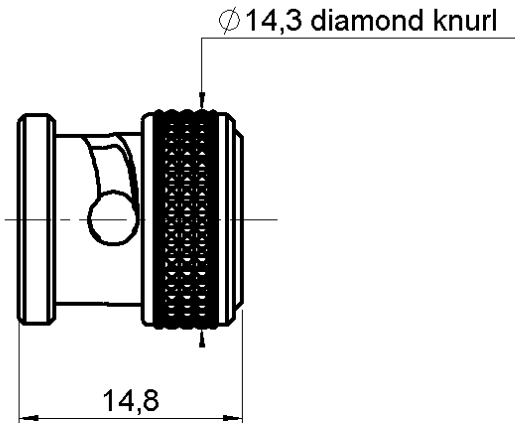


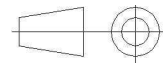
MALE PROTECTION CAP

R141.802.000

Series : **BNC**



All dimensions are in mm.



COMPONENTS	MATERIALS	PLATING (µm)
BODY	BRASS	NICKEL 2
CENTER CONTACT	-	-
OUTER CONTACT	-	-
INSULATOR	-	-
GASKET	SILICONE RUBBER	-
OTHERS PARTS	-	-
-	-	-
-	-	-

Issue : 9848 M

In the effort to improve our products, we reserve the right to make changes judged to be necessary.

MALE PROTECTION CAP

R141.802.000

Series : **BNC**

PACKAGING

SPECIFICATION

Standard	Unit	Other
100	'W' option	Contact us

QAE 06-02 - -

ELECTRICAL CHARACTERISTICS

ENVIRONMENTAL

Impedance **50 Ω**
 Frequency **NA GHz**
 VSWR **NA + 0,0000 x F(GHz) Maxi**
 Insertion loss **NA √F(GHz) dB Maxi**
 RF leakage **NA - (F(GHz)) dB Maxi**
 Voltage rating **NA Veff Maxi**
 Dielectric withstanding voltage **NA Veff mini**
 Insulation resistance **NA MΩ mini**

Operating temperature **-65/+165 ° C**
 Hermetic seal **NA Atm.cm3/s**
 Panel leakage **NA**

OTHER CHARACTERISTICS

Assembly instruction

Others :
 -

MECHANICAL CHARACTERISTICS

Center contact retention
 Axial force – Mating end **NA N mini**
 Axial force – Opposite end **NA N mini**
 Torque **NA N.cm mini**

Recommended torque
 Mating **NA N.cm**
 Panel nut **NA N.cm**

Mating life **500 Cycles mini**
 Weight **6,5000 g**

Issue : 9848 M

In the effort to improve our products, we reserve the right to make changes judged to be necessary.



X-ON Electronics

Largest Supplier of Electrical and Electronic Components

Click to view similar products for [RF Connector Accessories](#) category:

Click to view products by [Radiall](#) manufacturer:

Other Similar products are found below :

[89674-0712](#) [F702RX24](#) [FERRULE-174](#) [R141802000](#) [R141805000](#) [R141842000](#) [R161862000](#) [R161862000W](#) [R280752000](#) [R280907000](#)
[R694261906](#) [RFI21-13](#) [RFI75-13-D2](#) [RFI75-4-D2](#) [AX102906](#) [AX102907](#) [18097-0013](#) [HP-375](#) [HP-500](#) [2098-0294-00](#) [2098-3251-94](#) [KA-](#)
[81-05](#) [89674-0805](#) [F1](#) [FERRULE-223](#) [202102-11](#) [213337-1](#) [220222-2](#) [24092671A](#) [24092678A](#) [R280468000](#) [R280510000](#) [R282862060](#)
[RFI155-1](#) [RFI25-12-D3](#) [RFI25-5](#) [RFI25-5-D3](#) [RFI75-12-D2](#) [RFI75-2-D2](#) [RFI75-4-D3](#) [RFI77-6](#) [360HS001M2508M6](#) [4-1532137-4](#) [5-21085-](#)
[0](#) [105274-1000](#) [111062-0490](#) [112122-SOD-LUG](#) [112-NUT-KNURL](#) [IPP-2014](#) [R280490020](#)