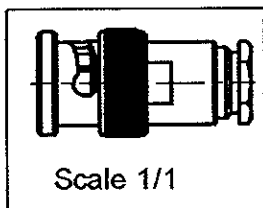
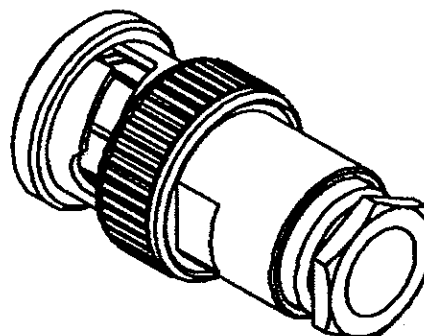
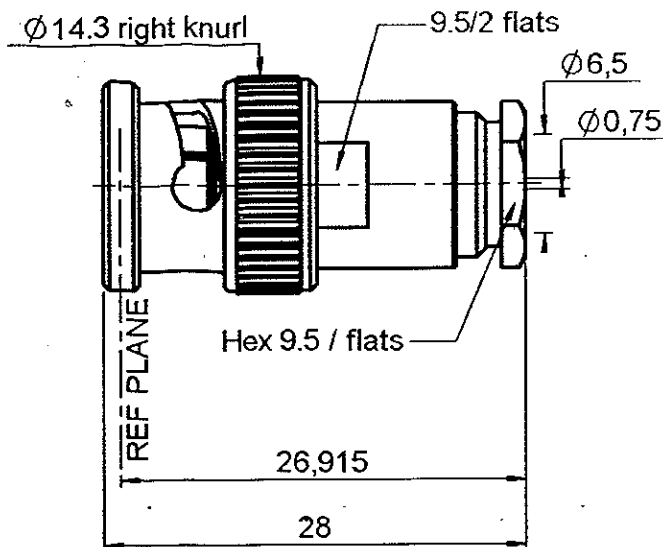


**STRAIGHT PLUG CLAMP TYPE**

**R142.016.161**

**CABLE 6/75+93**

Series : BNC 75-COM



All dimensions are in mm.

COMPONENTS	MATERIALS	PLATING
BODY	BRASS	NICKEL 2 µm
CENTRE CONTACT	BRASS	GOLD 0.2 OVER NICKEL 2 µm
OUTER CONTACT	-	- µm
INSULATOR	POLYPROPYLENE	
GASKET	SILICONE RUBBER	
OTHERS PARTS	BRASS	NICKEL 2 OVER COPPER 8 µm
-	-	-
-	-	-



Issue : 9904 G

Design changes may be in order to improve the product.

**STRAIGHT PLUG CLAMP TYPE**

**R142.016.161**

**CABLE 6/75+93**

Series : BNC 75-COM

**ELECTRICAL CHARACTERISTICS**

Impedance	75 Ω
Frequency	0-1.5 GHz
VSWR	NA + 0.000 x F(GHz) Maxi
Insertion loss	NA √F(GHz) dB
RF leakage	-( NA - F(GHz)) dB mini
Voltage rating	500 Veff Maxi
Dielectric withstanding voltage	1500 Veff mini
Insulation resistance	5000 MΩ mini

**SPECIFICATION**

Stripping	a	b	c	d	e	f
mm	2.50	7.00	0.00	0.00	3.00	0.00

Assembly instruction : **Clamp 03**

Recommended cable(s)  
KX 6A  
RG 59

Cable retention  
- pull off **180 N mini**  
- torque **NA N.cm**

**MECHANICAL CHARACTERISTICS**

Centre contact retention	
Axial force – Mating end	10 N mini
Axial force – Opposite end	10 N mini
Torque	NA N.cm mini

**TOOLING**

Part Number	Description	Hexagon
.	.	.

Recommended torque	
Mating	NA N.cm
Panel nut	NA N.cm
Clamp nut	150 N.cm
A/F clamp nut	9.500 mm

Mating life	100 Cycles mini
Weight	0.000 g

**OTHERS CHARACTERISTICS**

**ENVIRONMENTAL**

Operating temperature	-35/+70 °C
Leakage – pressurised only	NA Atm.cm3/s
Hermetic seal	NA Mpa



Issue : 9904 G

Design changes may be in order to improve the product.

## X-ON Electronics

Largest Supplier of Electrical and Electronic Components

*Click to view similar products for [RF Connectors / Coaxial Connectors](#) category:*

*Click to view products by [Radiall](#) manufacturer:*

Other Similar products are found below :

[8915-1511-000](#) [89674-0827](#) [6001-7071-019](#) [6002-7051-003](#) [6002-7551-202](#) [6059674-1](#) [619550-1](#) [630059-000](#) [M39030/3-01N](#) [6500-7071-046](#) [6769](#) [CX050L2AQ](#) [7002-1541-010](#) [7002-1542-011](#) [7004-1512-000](#) [7009-1511-004](#) [7010-1511-000](#) [7029-1511-060](#) [7101-1541-010](#) [7101-1571-002](#) [7145-1521-002](#) [7203-1571-003](#) [7209-1511-011](#) [7210-1511-015](#) [7210-1511-019](#) [73137-5015](#) [73216-2241](#) [73404-2300](#) [7405-1521-005](#) [7405-1521-802](#) [8527](#) [8547](#) [FS11V](#) [877931](#) [8808-1511-001](#) [9049-9513-000](#) [9074-9513-000](#) [9101-9573-002](#) [910A205F](#) [9130-9573-002](#) [PL11SC-026](#) [PL375-33](#) [PL40-5](#) [PL74C-221](#) [PL75MC-217](#) [PL803-7](#) [1200690078](#) [1-201144-1](#) [R107003010W](#) [R110A172100](#)