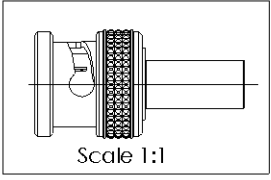
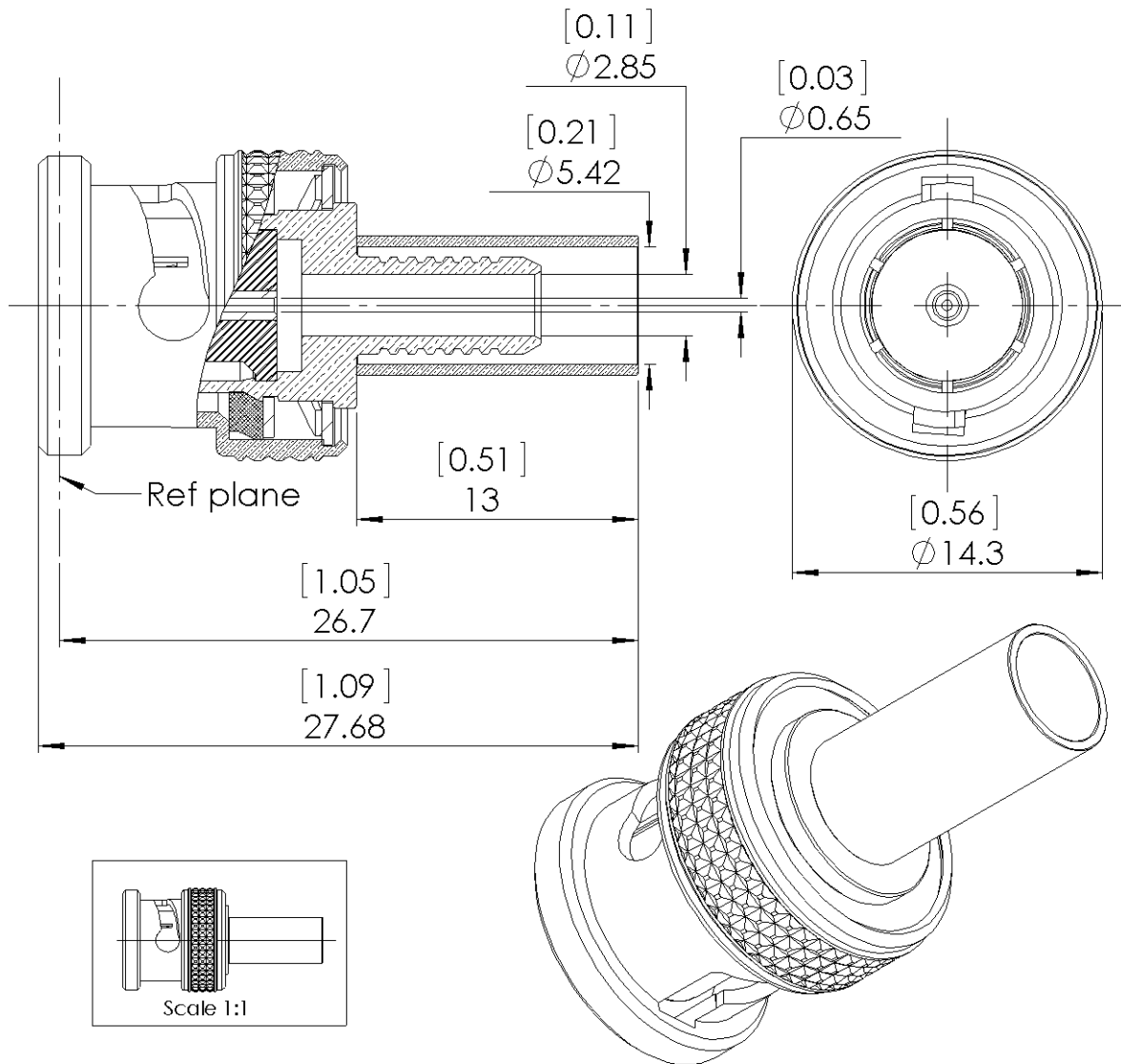
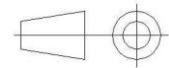


PAGE 1/3	ISSUE 21-03-17C	SERIES BNC 75 HDTV	PART NUMBER R142077702
----------	-----------------	--------------------	------------------------



All dimensions are in mm.



COMPONENTS	MATERIALS	PLATING (µm)
Body	<b>BRASS</b>	<b>NPGR</b>
Center contact	<b>BRASS</b>	<b>NPGR</b>
Outer contact	<b>BRASS</b>	<b>NPGR</b>
Insulator	<b>PTFE</b>	
Gasket	<b>SILICONE RUBBER</b>	
Others parts	<b>BRASS</b>	<b>BBR</b>
-	-	-
-	-	-

PAGE <b>2/3</b>	ISSUE <b>21-03-17C</b>	SERIES <b>BNC 75 HDTV</b>	PART NUMBER <b>R142077702</b>
-----------------	------------------------	---------------------------	-------------------------------

### PACKAGING

Standard	Unit	Other
<b>100</b>	<b>Contact us</b>	<b>Contact us</b>

### ELECTRICAL CHARACTERISTICS

Impedance	<b>75</b>	Ω
Frequency	<b>DC-12</b>	GHz
VSWR	<b>1.05 + 0.0350</b>	x F(GHz) Maxi
Insertion loss	<b>0.1</b>	√F(GHz) dB Maxi
RF leakage	- ( <b>AD</b> )	- F(GHz)) dB Maxi
Voltage rating	<b>500</b>	Veff Maxi
Dielectric withstanding voltage	<b>1500</b>	Veff mini
Insulation resistance	<b>5000</b>	MΩ mini

### MECHANICAL CHARACTERISTICS

Center contact retention		
Axial force – Mating End	<b>10</b>	N mini
Axial force – Opposite end	<b>10</b>	N mini
Torque	<b>NA</b>	N.cm mini
Recommended torque		
Mating	<b>NA</b>	N.cm
Panel nut	<b>NA</b>	N.cm
Clamp nut	<b>NA</b>	N.cm
A/F clamp nut	<b>0.0000</b>	mm
Mating life	<b>1000</b>	Cycles mini
Weight	<b>8.8150</b>	g

### ENVIRONMENTAL

Operating temperature	<b>-65/+165</b>	°C
Hermetic seal	<b>NA</b>	Atm.cm3/s
Panel leakage	<b>NA</b>	

### SPECIFICATION

### CABLE ASSEMBLY

Stripping	a	b	c	d	e	f
mm	<b>3.5</b>	<b>10.8</b>	<b>18</b>	<b>0</b>	<b>0</b>	<b>0</b>

Assembly instruction: **Crimp 02**

Recommended cable(s)  
**DRAKA HDTV 0.6/2.8**  
**CAE HDTV HD 0628**

Characteristics indicated on this data sheet are those that can be achieved with the highest performance cable. Intrinsic limitations of the cable may diminish the performance of the assembly

Cable retention

- pull off	<b>110</b>	N mini
- torque	<b>NA</b>	N.cm

### TOOLING

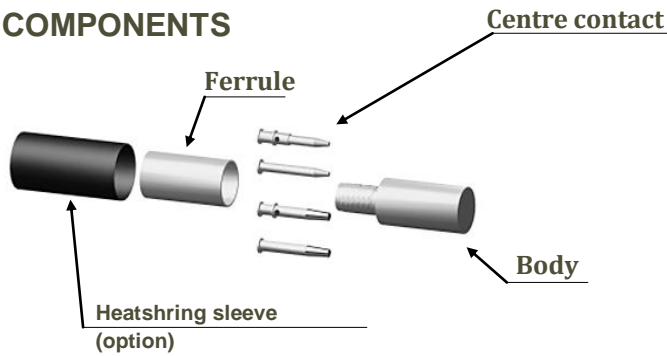
Part Number	Description	Hexagon
R282233000	CRIMPING TOOL	5.41_ square 1.1

### OTHER CHARACTERISTICS

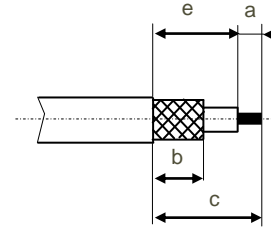
**Data speed rate up to 12.5Gb/s**

PAGE 3/3	ISSUE 21-03-17C	SERIES BNC 75 HDTV	PART NUMBER R142077702
----------	-----------------	--------------------	------------------------

**COMPONENTS**



**STRIPPING DIMENSIONS**



**1**

Slide the heatshrink sleeve onto the cable (Option).  
Slide the ferrule onto the cable.  
Strip the cable.

**4**

Slide the cable into the body until it bottoms against insulator.

**2**

Slide the centre contact on until it bottoms against the cable dielectric.  
Crimp the centre contact with crimping tool ( see connector TDS ).

**5**

Slide the ferrule over the braid.  
Crimp the ferrule with crimping tool ( see connector TDS ).

**3**

Fan the braid.

**6**

Cut the excess of braid if necessary.  
Slide the sleeve over the ferrule and heatshrink it in place (Option).

## X-ON Electronics

Largest Supplier of Electrical and Electronic Components

*Click to view similar products for [RF Connectors / Coaxial Connectors](#) category:*

*Click to view products by [Radiall](#) manufacturer:*

Other Similar products are found below :

[8915-1511-000](#) [89674-0827](#) [6001-7071-019](#) [6002-7051-003](#) [6002-7551-202](#) [6059674-1](#) [619550-1](#) [630059-000](#) [M39030/3-01N](#) [6500-7071-046](#) [6769](#) [CX050L2AQ](#) [7002-1541-010](#) [7002-1542-011](#) [7004-1512-000](#) [7009-1511-004](#) [7010-1511-000](#) [7029-1511-060](#) [7101-1541-010](#) [7101-1571-002](#) [7145-1521-002](#) [7203-1571-003](#) [7209-1511-011](#) [7210-1511-015](#) [7210-1511-019](#) [73137-5015](#) [73216-2241](#) [73404-2300](#) [7405-1521-005](#) [7405-1521-802](#) [8527](#) [8547](#) [FS11V](#) [877931](#) [8808-1511-001](#) [9049-9513-000](#) [9074-9513-000](#) [9101-9573-002](#) [910A205F](#) [9130-9573-002](#) [PL11SC-026](#) [PL375-33](#) [PL40-5](#) [PL74C-221](#) [PL75MC-217](#) [PL803-7](#) [1200690078](#) [1-201144-1](#) [R107003010W](#) [R110A172100](#)