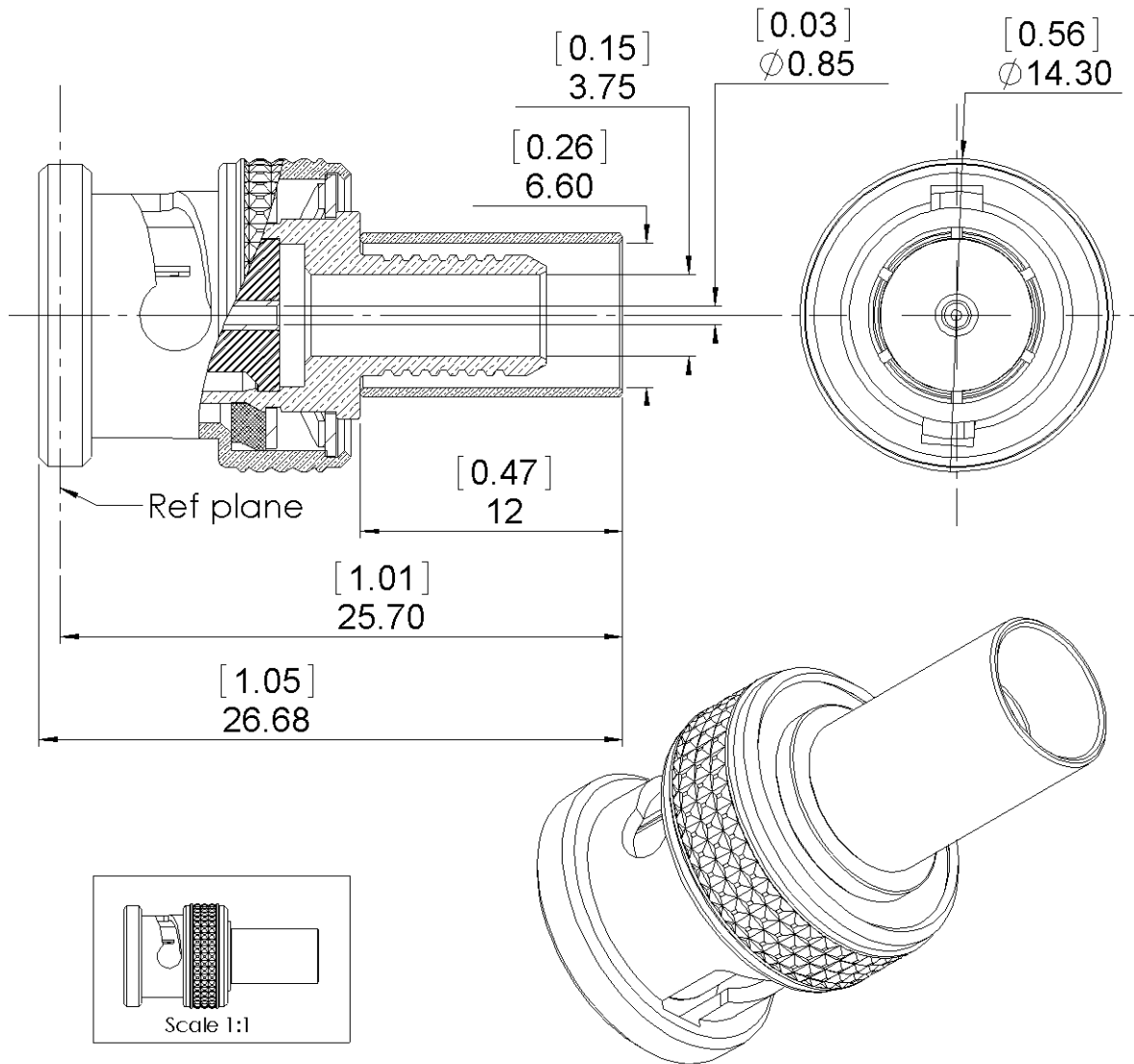
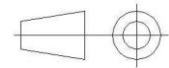


PAGE 1/2	ISSUE 03-03-17C	SERIES BNC 75 HDTV	PART NUMBER R142077722
----------	-----------------	--------------------	------------------------



All dimensions are in mm.



COMPONENTS	MATERIALS	PLATING (μ m)
Body	BRASS	NPGR
Center contact	BRASS	NPGR
Outer contact	BRASS	NPGR
Insulator	PTFE	
Gasket	SILICONE RUBBER	
Others parts	LAITON	BBR
-	-	-
-	-	-

PAGE 2/2	ISSUE 03-03-17C	SERIES BNC 75 HDTV	PART NUMBER R142077722
-----------------	------------------------	---------------------------	-------------------------------

PACKAGING

Standard	Unit	Other
100	Contact us	Contact us

ELECTRICAL CHARACTERISTICS

Impedance	75	Ω
Frequency	DC-12	GHz
VSWR	1.05 + 0.0350	x F(GHz) Maxi
Insertion loss	0.1	\sqrt{F} (GHz) dB Maxi
RF leakage	- (AD)	- F(GHz)) dB Maxi
Voltage rating	500	Veff Maxi
Dielectric withstanding voltage	1500	Veff mini
Insulation resistance	5000	M Ω mini

MECHANICAL CHARACTERISTICS

Center contact retention		
Axial force – Mating End	10	N mini
Axial force – Opposite end	10	N mini
Torque	NA	N.cm mini
Recommended torque		
Mating	NA	N.cm
Panel nut	NA	N.cm
Clamp nut	NA	N.cm
A/F clamp nut	0.0000	mm
Mating life	1000	Cycles mini
Weight	7.9550	g

ENVIRONMENTAL

Operating temperature	-65/+165	$^{\circ}\text{C}$
Hermetic seal	NA	Atm.cm3/s
Panel leakage	NA	

SPECIFICATION

CABLE ASSEMBLY

Stripping	a	b	c	d	e	f
mm	3.5	10.8	18	0	0	0

Assembly instruction: **Crimp 02**

Recommended cable(s)

DRAKA 0.8/3.7
BELDEN 1505A
CAE HD 08370

Characteristics indicated on this data sheet are those that can be achieved with the highest performance cable. Intrinsic limitations of the cable may diminish the performance of the assembly

Cable retention

- pull off	136	N mini
- torque	NA	N.cm

TOOLING

Part Number	Description	Hexagon
R282234000	CRIMPING TOOL	Square 1.15 / Hex.6.48

OTHER CHARACTERISTICS

Data speed rate up to 12.5Gb/s

X-ON Electronics

Largest Supplier of Electrical and Electronic Components

Click to view similar products for [RF Connectors / Coaxial Connectors](#) category:

Click to view products by [Radiall](#) manufacturer:

Other Similar products are found below :

[8915-1511-000](#) [89674-0827](#) [6001-7071-019](#) [6002-7051-003](#) [6002-7551-202](#) [6059674-1](#) [619550-1](#) [630059-000](#) [M39030/3-01N](#) [6500-7071-046](#) [6769](#) [CX050L2AQ](#) [7002-1541-010](#) [7002-1542-011](#) [7004-1512-000](#) [7009-1511-004](#) [7010-1511-000](#) [7029-1511-060](#) [7101-1541-010](#) [7101-1571-002](#) [7145-1521-002](#) [7203-1571-003](#) [7209-1511-011](#) [7210-1511-015](#) [7210-1511-019](#) [73137-5015](#) [73216-2241](#) [73404-2300](#) [7405-1521-005](#) [7405-1521-802](#) [8527](#) [8547](#) [FS11V](#) [877931](#) [8808-1511-001](#) [9049-9513-000](#) [9074-9513-000](#) [9101-9573-002](#) [910A205F](#) [9130-9573-002](#) [PL11SC-026](#) [PL375-33](#) [PL40-5](#) [PL74C-221](#) [PL75MC-217](#) [PL803-7](#) [1200690078](#) [1-201144-1](#) [R107003010W](#) [R110A172100](#)