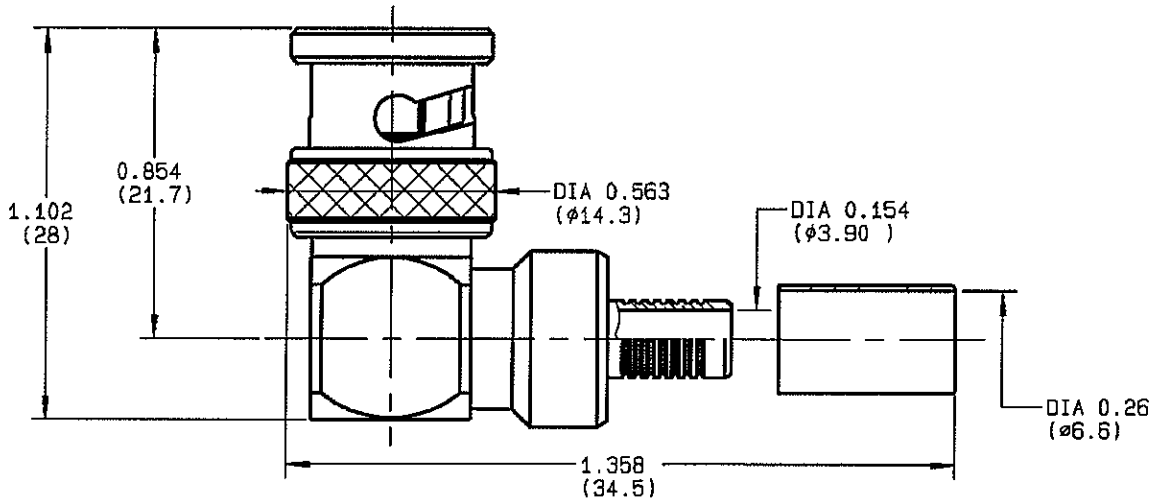


**RIGHT ANGLE PLUG CRIMP TYPE  
CABLE 6/75+93**

**R142.184.000**  
SERIES **BNC 75**



|                                 |                                  |   |
|---------------------------------|----------------------------------|---|
| NOMINAL IMPEDANCE               | <b>75</b> Ω                      | CABLES : <b>KX 6A</b>                       |
| FREQUENCY RANGE                 | <b>0-1.5</b> GHz                 | <b>RG 59</b>                                |
| TEMPERATURE RATING              | <b>-65/+165</b> °C               |   |
| V.S.W.R                         | <b>1.65 + 0</b> x F(GHz)Maxi     |   |
| RF INSERTION LOSS               | <b>0.175</b> √F(GHz) dB Maxi     |   |
| VOLTAGE RATING                  | <b>500</b> Veff Maxi             |   |
| DIELECTRIC WITHSTANDING VOLTAGE | <b>1500</b> Veff Mini            |   |
| INSULATION RESISTANCE           | <b>5000</b> MΩMini               | OTHERS CHARACTERISTICS                      |
| HERMETIC SEAL                   | <b>NA</b> Atm.cm <sup>3</sup> /s | CABLE RETENTION <b>136</b> N Mini           |
| LEAKAGE (pressurized only)      | <b>NA</b>                        | CENTER CONTACT RETENTION                    |
| MECHANICAL DURABILITY           | <b>500</b> Cycles                | Axial force - mating end <b>27</b> N Mini   |
| WEIGHT                          | <b>24</b> gr                     | Axial force - opposite end <b>NA</b> N Mini |
| SPECIFICATION                   |                                  | Torque <b>NA</b> cm.N Mini                  |
|                                 |                                  | RECOMMENDED TORQUES                         |
|                                 |                                  | Mating <b>450</b> cm.N                      |
|                                 |                                  | Panel nut <b>NA</b> cm.N                    |
|                                 |                                  | Clamp nut <b>NA</b> cm.N                    |

| CONNECTOR PARTS | MATERIALS               | FINISH                 | (all values are given )<br>in micrometers |
|-----------------|-------------------------|------------------------|---|
| BODY            | BRASS                   | NICKEL 2               |   |
| OUTER CONTACT   |                         |                        |   |
| CENTER CONTACT  | BERYLLIUM COPPER, BRASS | GOLD 0.5 OVER NICKEL 2 |   |
| INSULATOR       | PTFE                    | -                      |   |
| GASKET          | SILICONE RUBBER         | -                      |   |
| OTHERS PIECES   | BRASS                   | NICKEL 2               |   |

PERRIN

|                         |                                    |                  |
|-------------------------|------------------------------------|------------------|
| ISSUE<br><b>0534B02</b> | CREATION DATE<br><b>02/04/1984</b> | FILE PART-NUMBER |
|-------------------------|------------------------------------|------------------|



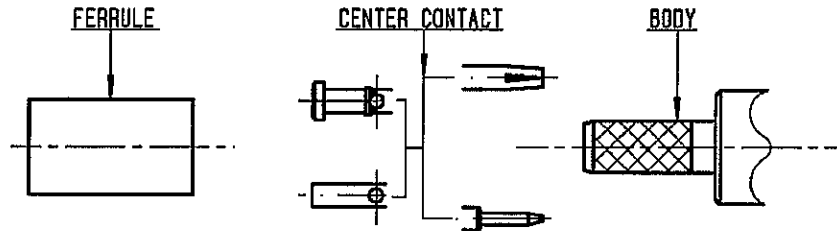
The information given here is subject to change without notice.  
Design changes may be in order to improve the product.

*Connect to the future*



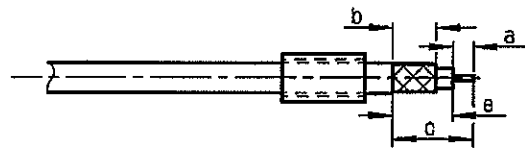
**R142.184.000**

ISSUE 0534B02 SERIES BNC 75



①

Slide ferrule onto cable  
Strip the cable .

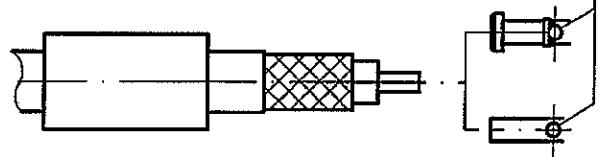


| Stripping | a     | b     | c     | d | e |
|-----------|-------|-------|-------|---|---|
| inch      | 0.157 | 0.433 | 0.591 | 0 | 0 |
| mm        | 4     | 11    | 15    |   |   |

②

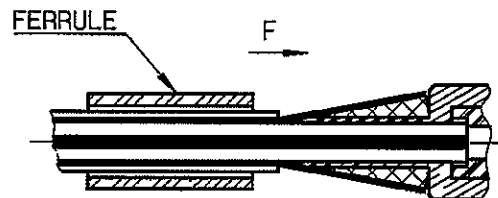
Slide center contact on until it bottoms against cable dielectric .  
Solder or crimp center contact .  
Crimping tool : R282 223 000 ( Hex. : 0.068 )  
or R282 293 000 ( M22520/5-01 )  
+ dies R282 235 013 ( M22520/5-13 ) .

SOLDER / CRIMPING



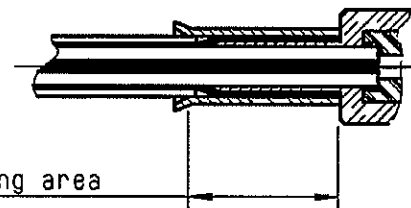
③

Fan the braid .  
Slide cable into the body until bottoms against insulator .  
Slide ferrule over the braid .  
(In direction F)



④

Crimp the ferrule with crimping tool R 282 223 000 ( Hex. : 0.255 ) or crimping tool R282 293 000 ( M22520/5-01 ) + dies R282 235 013 ( M22520/5-13 )  
Cut excess of braid if necessary .



Crimping area

## X-ON Electronics

Largest Supplier of Electrical and Electronic Components

*Click to view similar products for [RF Connectors / Coaxial Connectors](#) category:*

*Click to view products by [Radiall](#) manufacturer:*

Other Similar products are found below :

[8915-1511-000](#) [89674-0827](#) [6001-7071-019](#) [6002-7051-003](#) [6002-7551-202](#) [6059674-1](#) [619550-1](#) [630059-000](#) [M39030/3-01N](#) [6500-7071-046](#) [6769](#) [CX050L2AQ](#) [7002-1541-010](#) [7002-1542-011](#) [7004-1512-000](#) [7009-1511-004](#) [7010-1511-000](#) [7029-1511-060](#) [7101-1541-010](#) [7101-1571-002](#) [7145-1521-002](#) [7203-1571-003](#) [7209-1511-011](#) [7210-1511-015](#) [7210-1511-019](#) [73137-5015](#) [73216-2241](#) [73404-2300](#) [7405-1521-005](#) [7405-1521-802](#) [8527](#) [8547](#) [FS11V](#) [877931](#) [8808-1511-001](#) [9049-9513-000](#) [9074-9513-000](#) [9101-9573-002](#) [910A205F](#) [9130-9573-002](#) [PL11SC-026](#) [PL375-33](#) [PL40-5](#) [PL74C-221](#) [PL75MC-217](#) [PL803-7](#) [980-8666-005](#) [1200690078](#) [1-201144-1](#) [R107003010W](#)