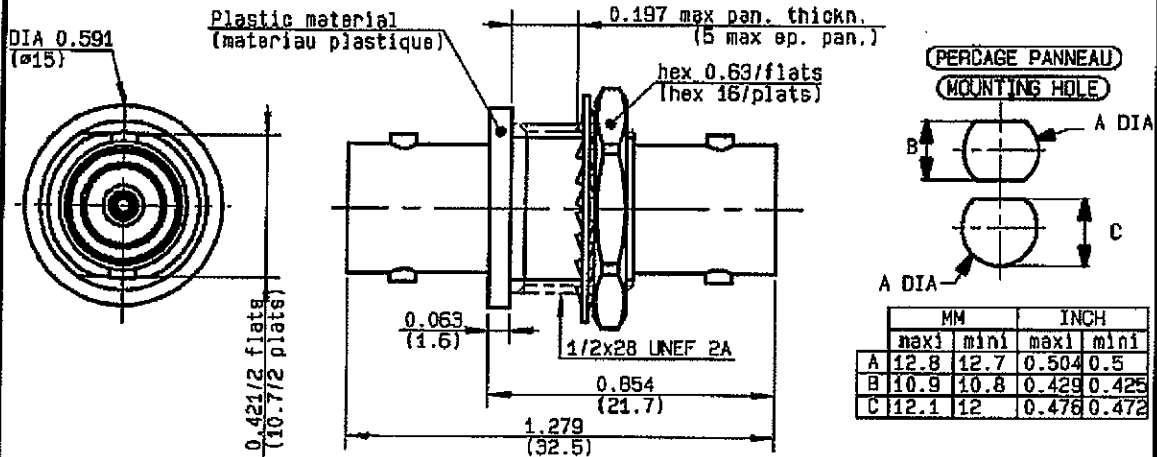


**INSULATED BULKHEAD
FEMALE-FEMALE ADAPTOR**

R142.723.000
SERIES BNC 75



| | |
|---------------------------------|-------------------------------|
| NOMINAL IMPEDANCE | 75 Ω |
| FREQUENCY RANGE | 0-1.5 GHz |
| TEMPERATURE RATING | -65/+165 °C |
| V.S.W.R | 1.30 + 0 x F(GHz)Max |
| RF INSERTION LOSS | 0.115 \sqrt{F} (GHz) dB Max |
| VOLTAGE RATING | 500 Veff Max |
| DIELECTRIC WITHSTANDING VOLTAGE | 1500 Veff Min |
| INSULATION RESISTANCE | 5000 M Ω Min |
| HERMETIC SEAL | NA Atm.cm ³ /s |
| LEAKAGE (pressurized only) | NA |
| MECHANICAL DURABILITY | 500 Cycles |
| WEIGHT | 12 gr |
| SPECIFICATION | |

CABLES :

OTHERS CHARACTERISTICS

USABLE UNTIL 3 GHz
VSWR 1.5 @ 3GHz
I.L 0.32 @ 3 GHz

| | | |
|----------------------------|-----|-----------|
| CABLE RETENTION | NA | N Mini |
| CENTER CONTACT RETENTION | | |
| Axial force - mating end | 18 | N Mini |
| Axial force - opposite end | 18 | N Mini |
| Torque | NA | cm.N Mini |
| RECOMMENDED TORQUES | | |
| Mating | NA | cm.N |
| Panel nut | 370 | cm.N |
| Clamp nut | NA | cm.N |

| CONNECTOR PARTS | MATERIALS | FINISH | (all values are given in micrometers) |
|-----------------|------------------|------------------------|---------------------------------------|
| BODY | BRASS | NICKEL 2 | |
| OUTER CONTACT | | | |
| CENTER CONTACT | BERYLLIUM COPPER | GOLD 0.5 OVER NICKEL 2 | |
| INSULATOR | PTFE | - | |
| BASKET | | - | |
| OTHERS PIECES | BRASS | NICKEL 2 | |

LELEU

| | | |
|--------|---------------|------------------|
| ISSUE | CREATION DATE | FILE PART-NUMBER |
| 0925 B | 20/01/1997 | 95-1000-022 |



The information given here is subject to change without notice. Design changes may be in order to improve the product.

Connect to the future

X-ON Electronics

Largest Supplier of Electrical and Electronic Components

Click to view similar products for [RF Adapters - In Series](#) category:

Click to view products by [Radiall](#) manufacturer:

Other Similar products are found below :

[5916-1103-603](#) [5919-1503-000](#) [651A505](#) [82-5552](#) [9030-9523-502](#) [PN2C](#) [A0407000](#) [R114703000W](#) [R125771001](#) [R141710000W](#)
[R141723161](#) [R141730000](#) [R143730700](#) [R143770000](#) [R161703000W](#) [R161753000W](#) [R161791530W](#) [R201705000](#) [R222705200](#)
[R222M40010W](#) [R223703180](#) [R316754000](#) [R405006000](#) [R443162000](#) [AD78TL](#) [HRM-513S](#) [1996352-2](#) [2157155-1](#) [252169-75](#) [AD158](#)
[2101130-1](#) [252186](#) [R114704000W](#) [R114720000W](#) [R125705001](#) [R125705701](#) [R125771000](#) [R125771001W](#) [R127704001](#) [R127.870.001](#)
[R127872001](#) [R141717000](#) [R142710000](#) [R142723000](#) [R143703000](#) [R143704000](#) [R143705700](#) [R161715000W](#) [R161771000W](#) [R176754000](#)