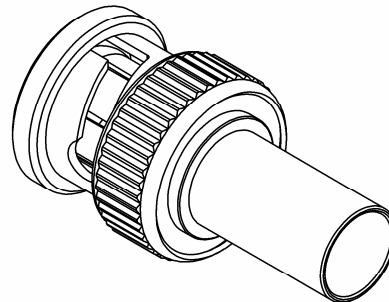
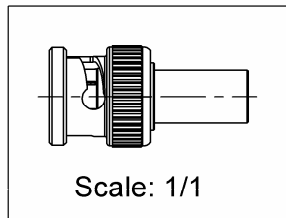
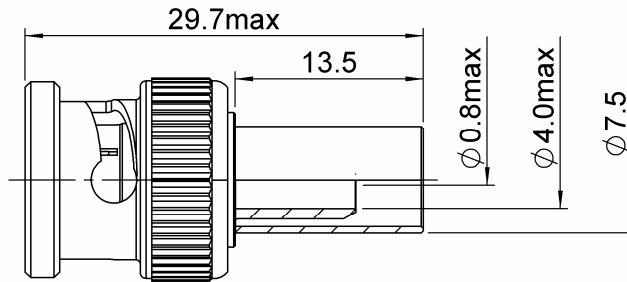


STRAIGHT PLUG CRIMP TYPE

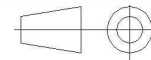
R142A.085.161

CABLE 6/75+93

Series : **ECO BNC 75**



All dimensions are in mm.



| COMPONENTS | MATERIALS | PLATING (µm) |
|----------------|-----------|--------------|
| BODY | BRASS | NICKEL |
| CENTER CONTACT | BRASS | GOLD |
| OUTER CONTACT | | |
| INSULATOR | PTFE | |
| GASKET | | |
| OTHERS PARTS | BRASS | NICKEL |
| - | - | - |
| - | - | - |

Issue : 0909 A

In the effort to improve our products, we reserve the right to make changes judged to be necessary.



STRAIGHT PLUG CRIMP TYPE

R142A.085.161

CABLE 6/75+93

Series : **ECO BNC 75**

PACKAGING

| Standard | Unit | Other |
|------------|-------------------|-------------------|
| 100 | 'W' option | Contact us |

SPECIFICATION

ELECTRICAL CHARACTERISTICS

| | |
|---------------------------------|-----------------------------------|
| Impedance | 75 Ω |
| Frequency | 0-1 GHz |
| VSWR | 1.3 + 0.0000 x F(GHz) Maxi |
| Insertion loss | 0.2 √F(GHz) dB Maxi |
| RF leakage | - (NA - F(GHz)) dB Maxi |
| Voltage rating | 500 Veff Maxi |
| Dielectric withstanding voltage | 1500 Veff mini |
| Insulation resistance | 5000 MΩ mini |

CABLE ASSEMBLY

| Stripping | a | b | c | d | e | f |
|-----------|------|------|------|------|------|------|
| mm | 2.50 | 8.50 | 14.5 | 0.00 | 12.0 | 0.00 |

Assembly instruction : **Crimp 01**

Recommended cable(s)

KX 6A
RG 59

Characteristics indicated on this data sheet are those that can be achieved with the highest performance cable. Intrinsic limitations of the cable may diminish the performance of the assembly

Cable retention

- pull off **136** N mini
- torque **NA** N.cm

MECHANICAL CHARACTERISTICS

| | |
|----------------------------|---------------------|
| Center contact retention | |
| Axial force – Mating end | 10 N mini |
| Axial force – Opposite end | 10 N mini |
| Torque | NA N.cm mini |

TOOLING

| Part Number | Description | Hexagon |
|--------------|------------------------------|---------|
| . | . | . |
| R282.223.000 | CRIMPING TOOL | 6.48 |
| R282.235.013 | CRIMPING DIES | 6.48 |
| R282.293.000 | CRIMPING TOOL M22520/5-01 | |

| | |
|--------------------|------------------|
| Recommended torque | |
| Mating | NA N.cm |
| Panel nut | NA N.cm |
| Clamp nut | NA N.cm |
| A/F clamp nut | 0.0000 mm |

| | |
|-------------|------------------------|
| Mating life | 100 Cycles mini |
| Weight | 10.2500 g |

OTHER CHARACTERISTICS

ENVIRONMENTAL

| | |
|-----------------------|---------------------|
| Operating temperature | -40/+85 ° C |
| Hermetic seal | NA Atm.cm3/s |
| Panel leakage | NA |

Issue : 0909 A

In the effort to improve our products, we reserve the right to make changes judged to be necessary.



X-ON Electronics

Largest Supplier of Electrical and Electronic Components

Click to view similar products for [RF Connectors / Coaxial Connectors](#) category:

Click to view products by [Radiall](#) manufacturer:

Other Similar products are found below :

[R125315120](#) [8915-1511-000](#) [89674-0827](#) [5916-1103-603](#) [0106-001-000](#) [6-0001-3](#) [6001-7071-019](#) [6002-7051-003](#) [6002-7551-202](#) [6059674-1](#) [619550-1](#) [630059-000](#) [M39012/25-0021](#) [M39012/79-3008](#) [M39030/3-01N](#) [M39030/3-03N](#) [M3933/25-36N](#) [6500-7071-046](#) [6501-1071-002](#) [M83723/72W2457N](#) [6769](#) [CX050L2AQ](#) [7002-1541-010](#) [7002-1572-002](#) [7003-1572-002](#) [7004-1512-000](#) [7009-1511-004](#) [7010-1511-000](#) [7029-1511-060](#) [7101-1541-010](#) [7101-1571-002](#) [7105-1521-002](#) [7145-1521-002](#) [7209-1511-011](#) [7210-1511-012](#) [7210-1511-015](#) [7210-1511-019](#) [7210-1511-040](#) [7225-1512-050](#) [7242-1511-000](#) [73137-5015](#) [73251-0111](#) [73251-0672](#) [73276-1501](#) [73366-0013](#) [73404-2300](#) [73413-6080](#) [734151610](#) [73415-5721](#) [7405-1521-005](#)