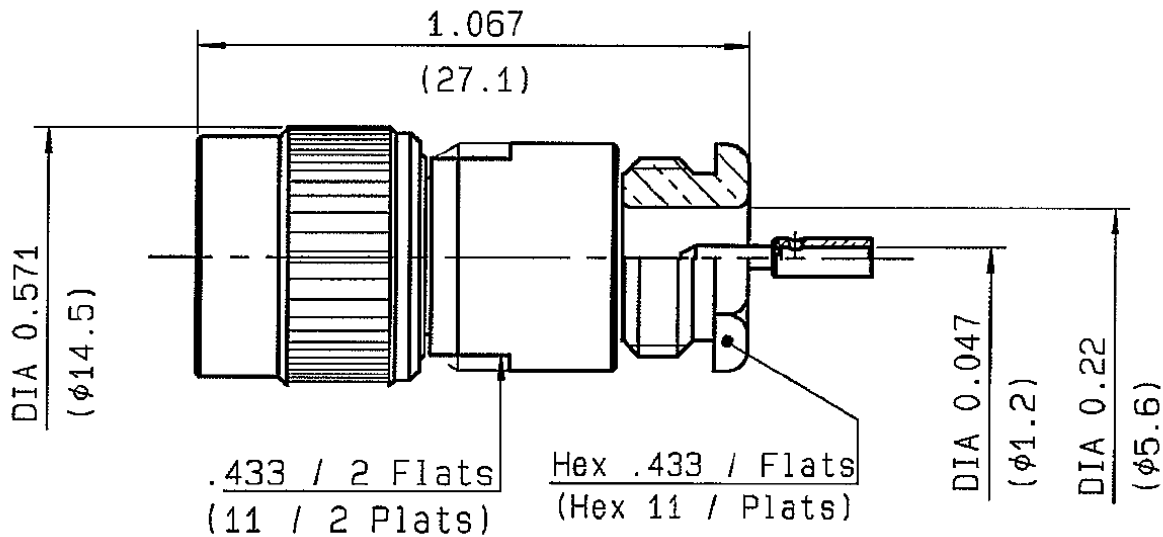


**STRAIGHT PLUG CLAMP TYPE  
CABLE 5/50 S+D**

**R143.008.000**  
SERIES TNC



NOMINAL IMPEDANCE	<b>50</b> Ω
FREQUENCY RANGE	<b>0-11</b> GHz
TEMPERATURE RATING	<b>-65/+165</b> °C
V.S.W.R	<b>*1.30</b> + 0 x F(GHz)Maxi
RF INSERTION LOSS	<b>0.06</b> √F(GHz) dB Maxi
VOLTAGE RATING	<b>500</b> Veff Maxi
DIELECTRIC WITHSTANDING VOLTAGE	<b>1500</b> Veff Mini
INSULATION RESISTANCE	<b>5000</b> MΩMini
HERMETIC SEAL	<b>NA</b> Atm.cm <sup>3</sup> /s
LEAKAGE (pressurized only)	<b>NA</b>
MECHANICAL DURABILITY	<b>500</b> Cycles
WEIGHT	<b>17.60</b> gr
SPECIFICATION	<b>405 1916</b> <b>439 305</b> <b>DMS 795250</b>

CABLES : KX 15	RG 142 FTX
KX 23	RG 223
RG 141	RG 400
RG 142	RG 58
OTHERS CHARACTERISTICS	
*1.30 for frequency band: DC-6GHz	
1.60 for frequency band: 7-11GHz	
CABLE RETENTION	<b>180</b> N Mini
CENTER CONTACT RETENTION	
Axial force - mating end	<b>NA</b> N Mini
Axial force - opposite end	<b>NA</b> N Mini
Torque	<b>NA</b> cm.N Mini
RECOMMENDED TORQUES	
Mating	<b>NA</b> cm.N
Panel nut	<b>NA</b> cm.N
Clamp nut	<b>450</b> cm.N

CONNECTOR PARTS	MATERIALS	FINISH	(all values are given in micrometers)
BODY	BRASS	NICKEL 2	
OUTER CONTACT			
CENTER CONTACT	BRASS	GOLD 0.5 OVER NICKEL 2	
INSULATOR	PTFE	-	
GASKET	SILICONE RUBBER	-	
OTHERS PIECES	BRASS	NICKEL 2	

ISSUE  
**1338B00**

CREATION DATE  
**19/11/1990**

FILE PART-NUMBER



**RADIALL**®

LELEU

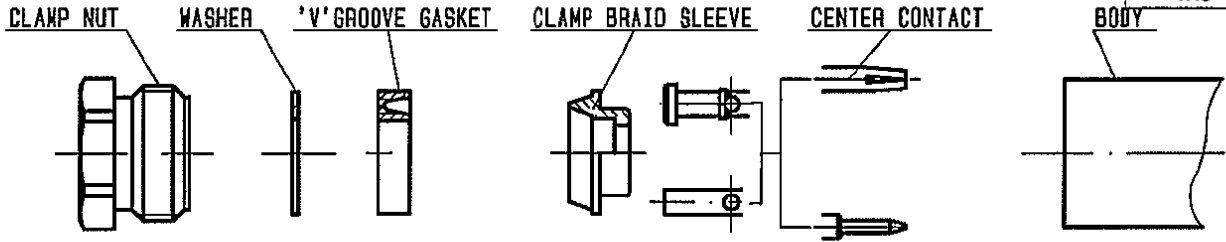
The information given here is subject to change without notice.  
Design changes may be in order to improve the product.

*Connect to the future*



**R143.008.000**

ISSUE 1338B00 SERIES TNC



①

Strip the cable .

-  
-  
-  
-

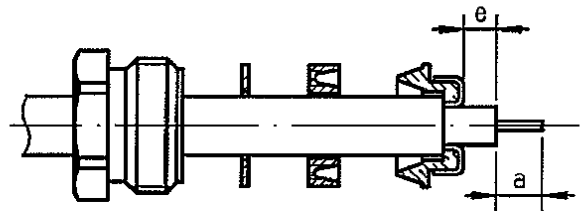


Stripping	a	b	c	d	e
inch	0.098	0.197	0	0	0.059
mm	2.5	5			1.5

②

Slide clamp nut, washer and 'V'groove gasket onto cable .  
Slide clamp braid sleeve over braid .  
Fold braid back and trim off extra braid.  
Trim dielectric back as shown .

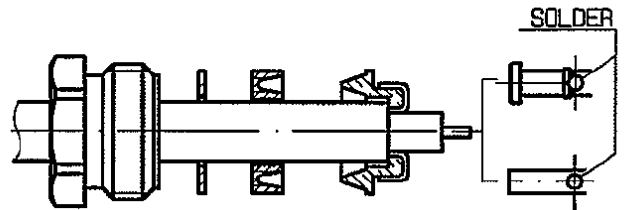
-



③

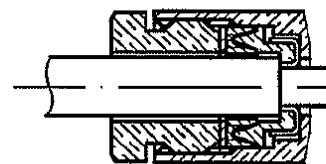
Solder the center contact onto cable center conductor.

-  
-  
-  
-  
-



④

Screw sub-assembly into the connector body .  
( recommended coupling torque 450N.cm )  
- 39.82in.lb  
-



Hex. : 11 mm /flats  
Hex. : 0.433inch /flats

LELEU

## X-ON Electronics

Largest Supplier of Electrical and Electronic Components

*Click to view similar products for [RF Connectors / Coaxial Connectors](#) category:*

*Click to view products by [Radiall](#) manufacturer:*

Other Similar products are found below :

[8915-1511-000](#) [89674-0827](#) [6001-7071-019](#) [6002-7051-003](#) [6002-7551-202](#) [6059674-1](#) [619550-1](#) [630059-000](#) [M39030/3-01N](#) [6500-7071-046](#) [6769](#) [CX050L2AQ](#) [7002-1541-010](#) [7002-1542-011](#) [7004-1512-000](#) [7009-1511-004](#) [7010-1511-000](#) [7029-1511-060](#) [7101-1541-010](#) [7101-1571-002](#) [7145-1521-002](#) [7203-1571-003](#) [7209-1511-011](#) [7210-1511-015](#) [7210-1511-019](#) [73137-5015](#) [73216-2241](#) [73404-2300](#) [7405-1521-005](#) [7405-1521-802](#) [8527](#) [8547](#) [FS11V](#) [877931](#) [8808-1511-001](#) [9049-9513-000](#) [9074-9513-000](#) [9101-9573-002](#) [910A205F](#) [9130-9573-002](#) [PL11SC-026](#) [PL375-33](#) [PL40-5](#) [PL74C-221](#) [PL75MC-217](#) [PL803-7](#) [980-8666-005](#) [1200690078](#) [1-201144-1](#) [R107003010W](#)