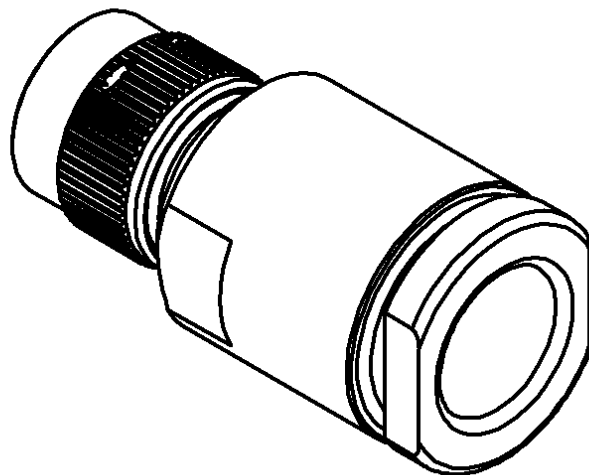
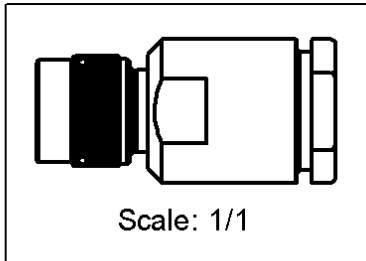
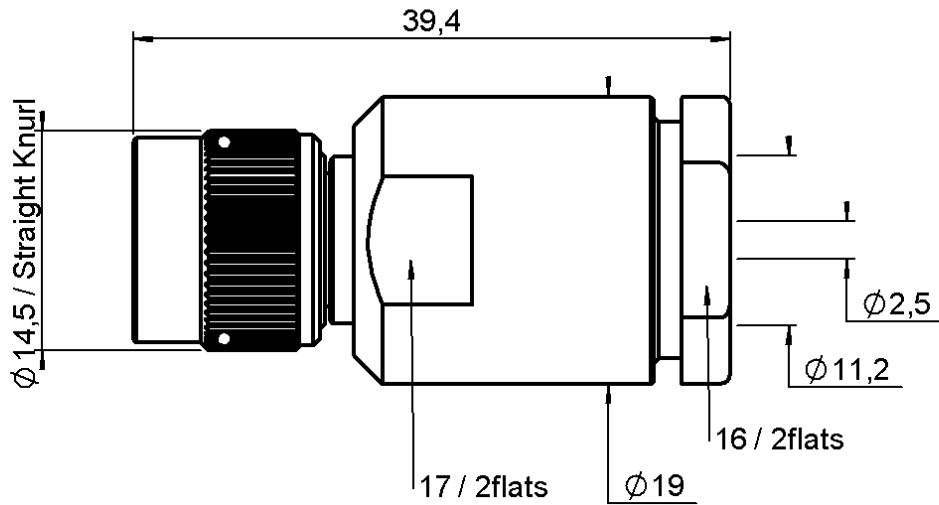


STRAIGHT PLUG CLAMP TYPE
SAFETY COUPLING NUT - CABLE 10+11/50

R143.018.500

Series : TNC



All dimensions are in mm.



| COMPONENTS | MATERIALS | PLATINGS (µm) |
|----------------|-----------------|------------------------|
| BODY | BRASS | NICKEL 2 |
| CENTER CONTACT | BRASS | GOLD 0.5 OVER NICKEL 2 |
| OUTER CONTACT | - | - |
| INSULATOR | PTFE | - |
| GASKET | SILICONE RUBBER | - |
| OTHERS PARTS | BRASS | NICKEL 2 |
| - | - | - |
| - | - | - |

Issue : 0245 E

In the effort to improve our products, we reserve the right to make changes judged to be necessary.



STRAIGHT PLUG CLAMP TYPE
SAFETY COUPLING NUT - CABLE 10+11/50

R143.018.500

Series : TNC

PACKAGING

| Standard | Unit | Other |
|----------|------|-------------------|
| 1 | - | Contact us |

SPECIFICATION

ELECTRICAL CHARACTERISTICS

| | | | |
|---------------------------------|---------------|--------------|--------------------------|
| Impedance | | 50 | Ω |
| Frequency | | 0-11 | GHz |
| VSWR | 1.30 + | 0.000 | x F(GHz) Maxi |
| Insertion loss | | 0.06 | \sqrt{F} (GHz) dB Maxi |
| RF leakage | - (| 57 | - F(GHz)) dB Maxi |
| Voltage rating | | 500 | Veff Maxi |
| Dielectric withstanding voltage | | 1500 | Veff mini |
| Insulation resistance | | 5000 | M Ω mini |

CABLE ASSEMBLY

| Stripping | a | b | c | d | e | f |
|-----------|------|------|------|------|------|------|
| mm | 3.00 | 9.00 | 0.00 | 0.00 | 1.00 | 0.00 |

Assembly instruction : **Clamp 02**

Recommended cable(s)
RG 214
RG 225
KX 13

Cable retention
- pull off **300** N mini
- torque **NA** N.cm

MECHANICAL CHARACTERISTICS

| | | | |
|----------------------------|--|-----------|-----------|
| Center contact retention | | NA | N mini |
| Axial force – Mating end | | 27 | N mini |
| Axial force – Opposite end | | NA | N.cm mini |
| Torque | | | |

TOOLING

| Part Number | Description | Hexagon |
|-------------|-------------|---------|
| . | . | . |

| | | | |
|--------------------|--|---------------|------|
| Recommended torque | | | |
| Mating | | NA | N.cm |
| Panel nut | | NA | N.cm |
| Clamp nut | | 800 | N.cm |
| A/F clamp nut | | 17.000 | mm |

| | | | |
|-------------|--|---------------|-------------|
| Mating life | | 500 | Cycles mini |
| Weight | | 43.977 | g |

OTHERS CHARACTERISTICS

-

ENVIRONMENTAL

| | | | |
|-----------------------|--|-----------------|--------------|
| Operating temperature | | -65/+165 | $^{\circ}$ C |
| Hermetic seal | | NA | Atm.cm3/s |
| Panel leakage | | NA | |

Issue : 0245 E

In the effort to improve our products, we reserve the right to make changes judged to be necessary.



X-ON Electronics

Largest Supplier of Electrical and Electronic Components

Click to view similar products for [RF Connectors / Coaxial Connectors](#) category:

Click to view products by [Radiall](#) manufacturer:

Other Similar products are found below :

[8915-1511-000](#) [89674-0827](#) [6001-7071-019](#) [6002-7051-003](#) [6002-7551-202](#) [6059674-1](#) [619550-1](#) [630059-000](#) [M39030/3-01N](#) [6500-7071-046](#) [6769](#) [CX050L2AQ](#) [7002-1541-010](#) [7002-1542-011](#) [7004-1512-000](#) [7009-1511-004](#) [7010-1511-000](#) [7029-1511-060](#) [7101-1541-010](#) [7101-1571-002](#) [7145-1521-002](#) [7203-1571-003](#) [7209-1511-011](#) [7210-1511-015](#) [7210-1511-019](#) [73137-5015](#) [73216-2241](#) [73404-2300](#) [7405-1521-005](#) [7405-1521-802](#) [8527](#) [8547](#) [FS11V](#) [877931](#) [8808-1511-001](#) [9049-9513-000](#) [9074-9513-000](#) [9101-9573-002](#) [910A205F](#) [9130-9573-002](#) [PL11SC-026](#) [PL375-33](#) [PL40-5](#) [PL74C-221](#) [PL75MC-217](#) [PL803-7](#) [980-8666-005](#) [1200690078](#) [1-201144-1](#) [R107003010W](#)