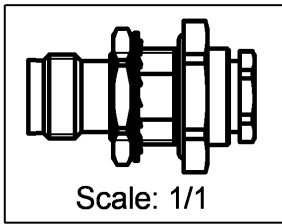
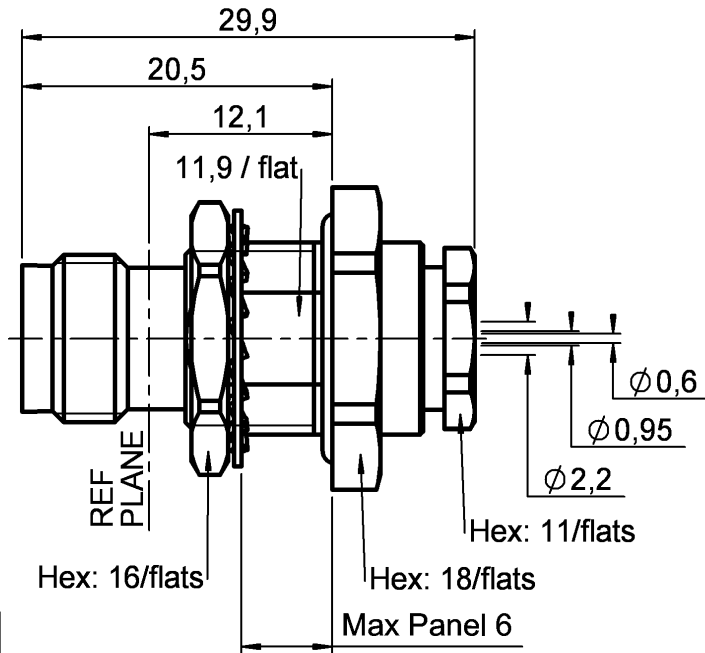


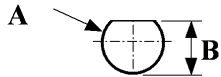
**STRAIGHT BULKHEAD JACK PANEL SEAL**  
**REAR MOUNT CLAMP TYPE - CABLE 2/50 S**

**R143.323.000**

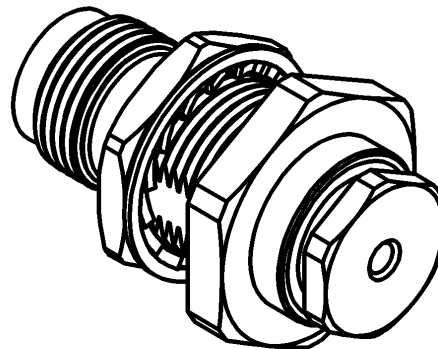
Series : TNC



**PANEL CUT OUT**



| mm       |      |      |
|----------|------|------|
|          | Maxi | mini |
| <b>A</b> | 12.8 | 12.7 |
| <b>B</b> | 12.1 | 12   |



All dimensions are in mm.



| COMPONENTS     | MATERIALS        | PLATING ( $\mu\text{m}$ ) |
|----------------|------------------|---------------------------|
| BODY           | BRASS            | NICKEL 2                  |
| CENTER CONTACT | BERYLLIUM COPPER | GOLD 0.5 OVER NICKEL 2    |
| OUTER CONTACT  | -                | -                         |
| INSULATOR      | PTFE             | -                         |
| GASKET         | SILICONE RUBBER  | -                         |
| OTHERS PARTS   | BRASS            | NICKEL 2                  |
| -              | -                | -                         |
| -              | -                | -                         |

Issue : 0725 N

In the effort to improve our products, we reserve the right to make changes judged to be necessary.



**STRAIGHT BULKHEAD JACK PANEL SEAL**

**R143.323.000**

**REAR MOUNT CLAMP TYPE - CABLE 2/50 S**

Series : TNC

**PACKAGING**

| Standard | Unit | Other             |
|----------|------|-------------------|
| <b>1</b> |      | <b>Contact us</b> |

**SPECIFICATION**

**ELECTRICAL CHARACTERISTICS**

|                                 |               |               |                          |
|---------------------------------|---------------|---------------|--------------------------|
| Impedance                       |               | <b>50</b>     | $\Omega$                 |
| Frequency                       |               | <b>0-11</b>   | GHz                      |
| VSWR                            | <b>1.30</b> + | <b>0,0000</b> | x F(GHz) Maxi            |
| Insertion loss                  |               | <b>0.06</b>   | $\sqrt{F}$ (GHz) dB Maxi |
| RF leakage                      | - (           | <b>57</b>     | - F(GHz)) dB Maxi        |
| Voltage rating                  |               | <b>335</b>    | Veff Maxi                |
| Dielectric withstanding voltage |               | <b>1000</b>   | Veff mini                |
| Insulation resistance           |               | <b>5000</b>   | M $\Omega$ mini          |

**CABLE ASSEMBLY**

| Stripping | a    | b    | c    | d    | e    | f    |
|-----------|------|------|------|------|------|------|
| mm        | 4,00 | 2,00 | 9,00 | 0,00 | 5,00 | 0,00 |

Assembly instruction : **Clamp 01**

Recommended cable(s)  
 RG 178  
 RG 196  
 RG 178 LC  
 KX 21

Characteristics indicated on this data sheet are those that can be achieved with the highest performance cable. Intrinsic limitations of the cable may diminish the performance of the assembly

Cable retention

- pull off **58** N mini  
 - torque **NA** N.cm

**MECHANICAL CHARACTERISTICS**

|                            |  |           |           |
|----------------------------|--|-----------|-----------|
| Center contact retention   |  |           |           |
| Axial force – Mating end   |  | <b>27</b> | N mini    |
| Axial force – Opposite end |  | <b>27</b> | N mini    |
| Torque                     |  | <b>NA</b> | N.cm mini |

**TOOLING**

| Part Number | Description | Hexagon |
|-------------|-------------|---------|
| .           | .           | .       |

|                    |  |                |      |
|--------------------|--|----------------|------|
| Recommended torque |  |                |      |
| Mating             |  | <b>NA</b>      | N.cm |
| Panel nut          |  | <b>370</b>     | N.cm |
| Clamp nut          |  | <b>450</b>     | N.cm |
| A/F clamp nut      |  | <b>11,0000</b> | mm   |

**OTHER CHARACTERISTICS**

|             |  |               |             |
|-------------|--|---------------|-------------|
| Mating life |  | <b>500</b>    | Cycles mini |
| Weight      |  | <b>0,0000</b> | g           |

**ENVIRONMENTAL**

|                       |  |                 |              |
|-----------------------|--|-----------------|--------------|
| Operating temperature |  | <b>-65/+165</b> | $^{\circ}$ C |
| Hermetic seal         |  | <b>NA</b>       | Atm.cm3/s    |
| Panel leakage         |  | -               |              |

Issue : 0725 N

In the effort to improve our products, we reserve the right to make changes judged to be necessary.



## X-ON Electronics

Largest Supplier of Electrical and Electronic Components

*Click to view similar products for [RF Connectors / Coaxial Connectors](#) category:*

*Click to view products by [Radiall](#) manufacturer:*

Other Similar products are found below :

[8915-1511-000](#) [89674-0827](#) [6001-7071-019](#) [6002-7051-003](#) [6002-7551-202](#) [6059674-1](#) [619550-1](#) [630059-000](#) [M39030/3-01N](#) [6500-7071-046](#) [6769](#) [CX050L2AQ](#) [7002-1541-010](#) [7002-1542-011](#) [7004-1512-000](#) [7009-1511-004](#) [7010-1511-000](#) [7029-1511-060](#) [7101-1541-010](#) [7101-1571-002](#) [7145-1521-002](#) [7203-1571-003](#) [7209-1511-011](#) [7210-1511-015](#) [7210-1511-019](#) [73137-5015](#) [73216-2241](#) [73404-2300](#) [7405-1521-005](#) [7405-1521-802](#) [8527](#) [8547](#) [FS11V](#) [877931](#) [8808-1511-001](#) [9049-9513-000](#) [9074-9513-000](#) [9101-9573-002](#) [910A205F](#) [9130-9573-002](#) [PL11SC-026](#) [PL375-33](#) [PL40-5](#) [PL74C-221](#) [PL75MC-217](#) [PL803-7](#) [980-8666-005](#) [1200690078](#) [1-201144-1](#) [R107003010W](#)