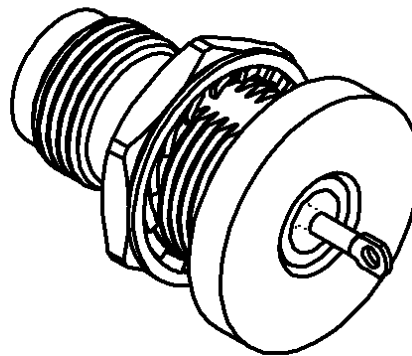
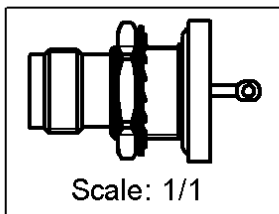
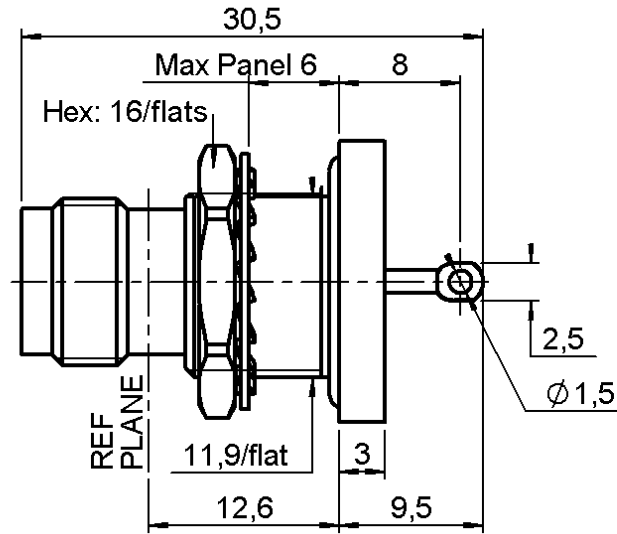


**BULKHEAD HERMETICAL JACK RECEPTACLE**

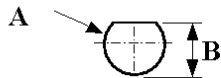
**R143.626.000**

**REAR MOUNT PANEL SEAL**

Series : TNC



**PANEL CUT OUT**



mm		
	Maxi	mini
A	12.9	12.8
B	12.1	12

All dimensions are in mm.



COMPONENTS	MATERIALS	PLATINGS (µm)
BODY	BRASS	NICKEL 2
CENTER CONTACT	BERYLLIUM COPPER	GOLD 0.5 OVER NICKEL 2
OUTER CONTACT	-	-
INSULATOR	PTFE	-
GASKET	FLUOROCARBON	-
OTHERS PARTS	BRASS	NICKEL 2
-	-	-
-	-	-

Issue : 1251 E

In the effort to improve our products, we reserve the right to make changes judged to be necessary.



**BULKHEAD HERMETICAL JACK RECEPTACLE**

**R143.626.000**

**REAR MOUNT PANEL SEAL**

Series : TNC

**PACKAGING**

**SPECIFICATION**

Standard	Unit	Other
<b>1</b>	-	<b>Contact us</b>

**ELECTRICAL CHARACTERISTICS**

**ENVIRONMENTAL**

Impedance **50** Ω  
 Frequency **0-11** GHz  
 VSWR **1.06 + 0,0060** x F(GHz) Maxi  
 Insertion loss **.025\*** √F(GHz) dB Maxi  
 RF leakage - ( **57** - F(GHz)) dB Maxi  
 Voltage rating **500** Veff Maxi  
 Dielectric withstanding voltage **1500** Veff mini  
 Insulation resistance **5000** MΩ mini

Operating temperature **-25/+100** ° C  
 Hermetic seal **10-6** Atm.cm3/s  
 Panel leakage **NA**

**OTHERS CHARACTERISTICS**

Assembly instruction **NA**

Others :  
 \* Coaxial Transmission Line Only

**MECHANICAL CHARACTERISTICS**

Center contact retention  
 Axial force – Mating end **18** N mini  
 Axial force – Opposite end **18** N mini  
 Torque **2.8** N.cm mini

Recommended torque  
 Mating **NA** N.cm  
 Panel nut **250** N.cm

Mating life **500** Cycles mini  
 Weight **26,0000** g

Issue : 1251 E

In the effort to improve our products, we reserve the right to make changes judged to be necessary.



## X-ON Electronics

Largest Supplier of Electrical and Electronic Components

*Click to view similar products for [RF Connectors / Coaxial Connectors](#) category:*

*Click to view products by [Radiall](#) manufacturer:*

Other Similar products are found below :

[8915-1511-000](#) [89674-0827](#) [6001-7071-019](#) [6002-7051-003](#) [6002-7551-202](#) [6059674-1](#) [619550-1](#) [630059-000](#) [M39030/3-01N](#) [6500-7071-046](#) [6769](#) [CX050L2AQ](#) [7002-1541-010](#) [7002-1542-011](#) [7004-1512-000](#) [7009-1511-004](#) [7010-1511-000](#) [7029-1511-060](#) [7101-1541-010](#) [7101-1571-002](#) [7105-1521-002](#) [7145-1521-002](#) [7203-1571-003](#) [7209-1511-011](#) [7210-1511-015](#) [7210-1511-019](#) [73137-5015](#) [73216-2241](#) [73404-2300](#) [7405-1521-005](#) [7405-1521-802](#) [8527](#) [8547](#) [FS11V](#) [877931](#) [8808-1511-001](#) [9074-9513-000](#) [9101-9573-002](#) [910A205F](#) [9130-9573-002](#) [PL11SC-026](#) [PL375-33](#) [PL40-5](#) [PL74C-221](#) [PL75MC-217](#) [PL803-7](#) [1200690078](#) [1-201144-1](#) [R107003010W](#) [R110A172100](#)