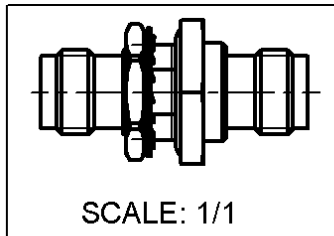
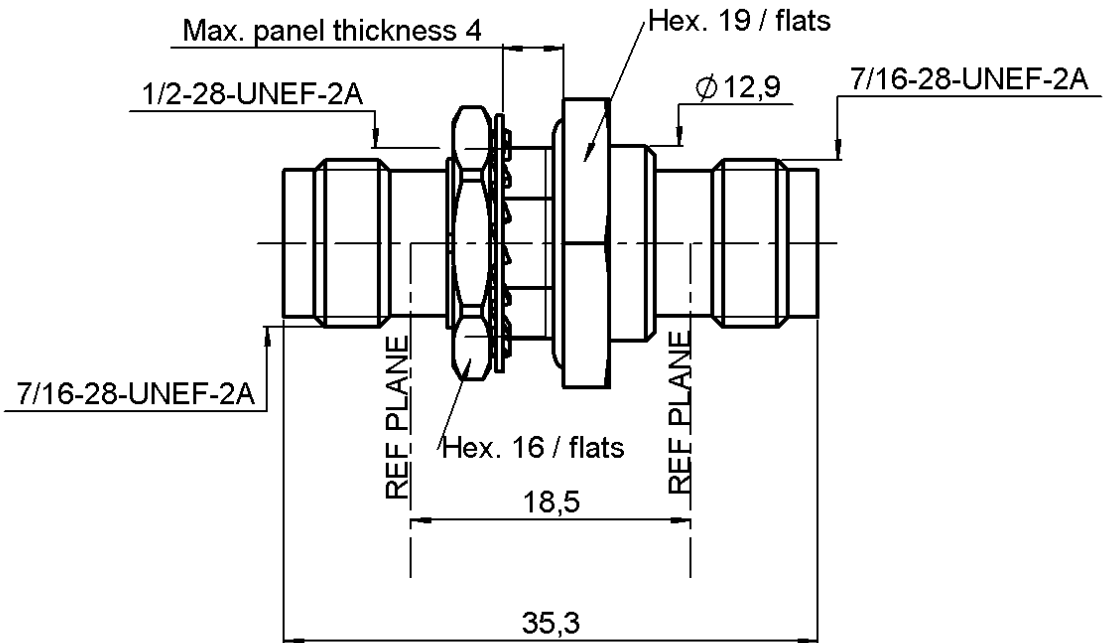


FEMALE-FEMALE HERMETIC ADAPTOR

R143.753.000

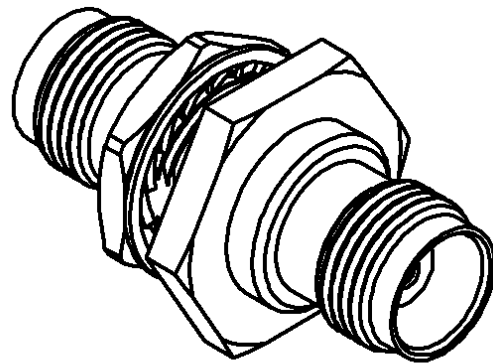
BULKHEAD PANEL SEAL

Series : TNC



PANEL CUT OUT

| mm | | |
|----|-------|-------|
| | Maxi | mini |
| A | 12.8 | 12.7 |
| B | 12.05 | 11.95 |



All dimensions are in mm.

| COMPONENTS | MATERIALS | PLATING (µm) |
|----------------|--------------------|------------------------|
| BODY | BRASS | NICKEL 2 |
| CENTER CONTACT | BERYLLIUM COPPER | GOLD 0.5 OVER NICKEL 2 |
| OUTER CONTACT | - | - |
| INSULATOR | PTFE+GLASS BEAD | - |
| GASKET | BLACK FLUOROCARBON | - |
| OTHERS PARTS | BRASS | NICKEL 2 |
| - | - | - |
| - | - | - |

Issue : 1251 E

In the effort to improve our products, we reserve the right to make changes judged to be necessary. This document contains proprietary information and such information shall not be disclosed to any third party for any purpose whatsoever or used for manufacturing purposes without prior written agreement from RADIALL



FEMALE-FEMALE HERMETIC ADAPTOR

R143.753.000

BULKHEAD PANEL SEAL

Series : TNC

PACKAGING

SPECIFICATION

| Standard | Unit | Other |
|------------|-------------------|-------------------|
| 100 | 'W' option | Contact us |

ELECTRICAL CHARACTERISTICS

ENVIRONMENTAL

| | | |
|---------------------------------|----------------------|--------------------------|
| Impedance | 50 | Ω |
| Frequency | 0-11 | GHz |
| VSWR | 1.45 + 0,0000 | x F(GHz) Maxi |
| Insertion loss | 0.07 | \sqrt{F} (GHz) dB Maxi |
| RF leakage | - (57) | - F(GHz)) dB Maxi |
| Voltage rating | 500 | Veff Maxi |
| Dielectric withstanding voltage | 1500 | Veff mini |
| Insulation resistance | 5000 | M Ω mini |

| | | |
|-----------------------|-----------------|--------------|
| Operating temperature | -25/+100 | $^{\circ}$ C |
| Hermetic seal | 10-8 | Atm.cm3/s |
| Panel leakage | NA | |

OTHER CHARACTERISTICS

Assembly instruction

Others :

MECHANICAL CHARACTERISTICS

| | | |
|----------------------------|-----------|-----------|
| Center contact retention | | |
| Axial force – Mating end | 26 | N mini |
| Axial force – Opposite end | 26 | N mini |
| Torque | NA | N.cm mini |

| | | |
|--------------------|------------|------|
| Recommended torque | | |
| Mating | NA | N.cm |
| Panel nut | 260 | N.cm |

| | | |
|-------------|----------------|-------------|
| Mating life | 500 | Cycles mini |
| Weight | 23,2320 | g |

Issue : 1251 E

In the effort to improve our products, we reserve the right to make changes judged to be necessary.
 This document contains proprietary information and such information shall not be disclosed to any third party for any purpose whatsoever or used for manufacturing purposes without prior written agreement from RADIALL



X-ON Electronics

Largest Supplier of Electrical and Electronic Components

Click to view similar products for [RF Adapters - In Series](#) category:

Click to view products by [Radiall](#) manufacturer:

Other Similar products are found below :

[5916-1103-603](#) [5919-1503-000](#) [651A505](#) [82-5552](#) [9030-9523-502](#) [PN2C](#) [A0407000](#) [R114703000W](#) [R125771001](#) [R141710000W](#)
[R141723161](#) [R141730000](#) [R143730700](#) [R143770000](#) [R161703000W](#) [R161753000W](#) [R161791530W](#) [R201705000](#) [R222705200](#)
[R222M40010W](#) [R223703180](#) [R316754000](#) [R405006000](#) [R443162000](#) [AD78TL](#) [HRM-513S](#) [1996352-2](#) [2157155-1](#) [252169-75](#) [AD158](#)
[2101130-1](#) [252186](#) [R114704000W](#) [R114720000W](#) [R125705001](#) [R125705701](#) [R125771000](#) [R125771001W](#) [R127704001](#) [R127.870.001](#)
[R127872001](#) [R141717000](#) [R142710000](#) [R142723000](#) [R143703000](#) [R143704000](#) [R143705700](#) [R161715000W](#) [R161771000W](#) [R176754000](#)