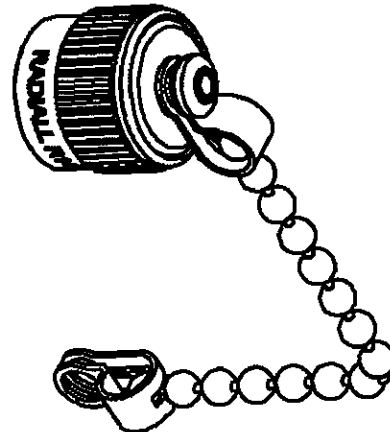
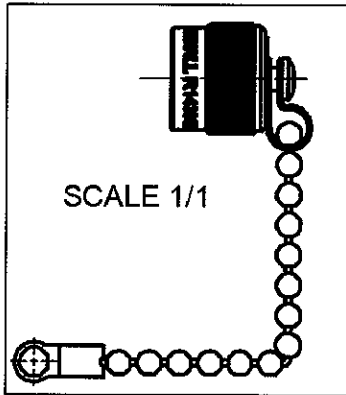
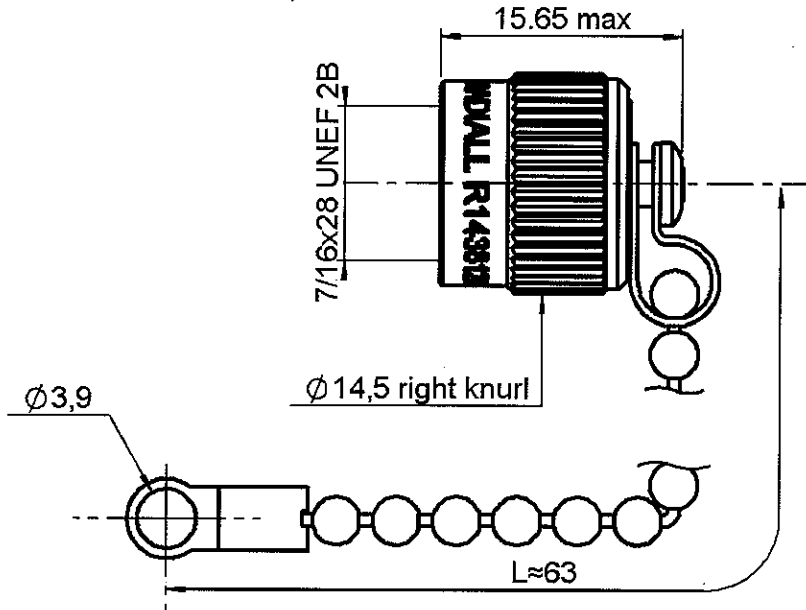


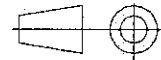
**MALE PROTECTIVE CAP
WITH CHAIN**

R143.812.000

Series : TNC



All dimensions are in mm.



COMPONENTS	MATERIALS	PLATINGS (µm)
BODY	BRASS	NICKEL 2
CENTER CONTACT	-	-
OUTER CONTACT	-	-
INSULATOR	-	-
GASKET	SILICONE RUBBER	
OTHERS PARTS	BRASS	NICKEL 2
-	-	-
-	-	-

Issue : 0650 K

In the effort to improve our products, we reserve the right to make changes judged to be necessary.



**MALE PROTECTIVE CAP
WITH CHAIN**

R143.812.000

Series : TNC

PACKAGING

Standard	Unit	Other
1	-	Contact us

SPECIFICATION

ASN-E0641

ELECTRICAL CHARACTERISTICS

ENVIRONMENTAL

Impedance NA Ω
 Frequency NA GHz
 VSWR NA + 0,0000 x F(GHz) Maxi
 Insertion loss NA \sqrt{F} (GHz) dB Maxi
 RF leakage - (NA - F(GHz)) dB Maxi
 Voltage rating NA Veff Maxi
 Dielectric withstanding voltage NA Veff mini
 Insulation resistance NA M Ω mini

Operating temperature -65/+165 °C
 Hermetic seal NA Atm.cm3/s
 Panel leakage NA

OTHERS CHARACTERISTICS

Assembly instruction

Others :
-

MECHANICAL CHARACTERISTICS

Center contact retention
 Axial force – Mating end NA N mini
 Axial force – Opposite end NA N mini
 Torque NA N.cm mini

 Recommended torque
 Mating NA N.cm
 Panel nut NA N.cm

 Mating life 500 Cycles mini
 Weight 8,0000 g

Issue : 0650 K

In the effort to improve our products, we reserve the right to make changes judged to be necessary.



RADIALL®

X-ON Electronics

Largest Supplier of Electrical and Electronic Components

Click to view similar products for [RF Connector Accessories](#) category:

Click to view products by [Radiall](#) manufacturer:

Other Similar products are found below :

[89674-0712](#) [F702RX24](#) [FERRULE-174](#) [R141802000](#) [R141805000](#) [R141842000](#) [R161862000](#) [R161862000W](#) [R280752000](#) [R280907000](#)
[R694261906](#) [RFI21-13](#) [RFI75-13-D2](#) [RFI75-4-D2](#) [AX102906](#) [AX102907](#) [18097-0013](#) [HP-375](#) [HP-500](#) [2098-0294-00](#) [2098-3251-94](#) [KA-](#)
[81-05](#) [89674-0805](#) [F1](#) [FERRULE-223](#) [202102-11](#) [213337-1](#) [220222-2](#) [24092671A](#) [24092678A](#) [R280468000](#) [R280510000](#) [R282862060](#)
[RFI155-1](#) [RFI25-12-D3](#) [RFI25-5](#) [RFI25-5-D3](#) [RFI75-12-D2](#) [RFI75-2-D2](#) [RFI75-4-D3](#) [RFI77-6](#) [360HS001M2508M6](#) [4-1532137-4](#) [5-21085-](#)
[0](#) [105274-1000](#) [111062-0490](#) [112122-SOD-LUG](#) [112-NUT-KNURL](#) [IPP-2014](#) [R280490020](#)