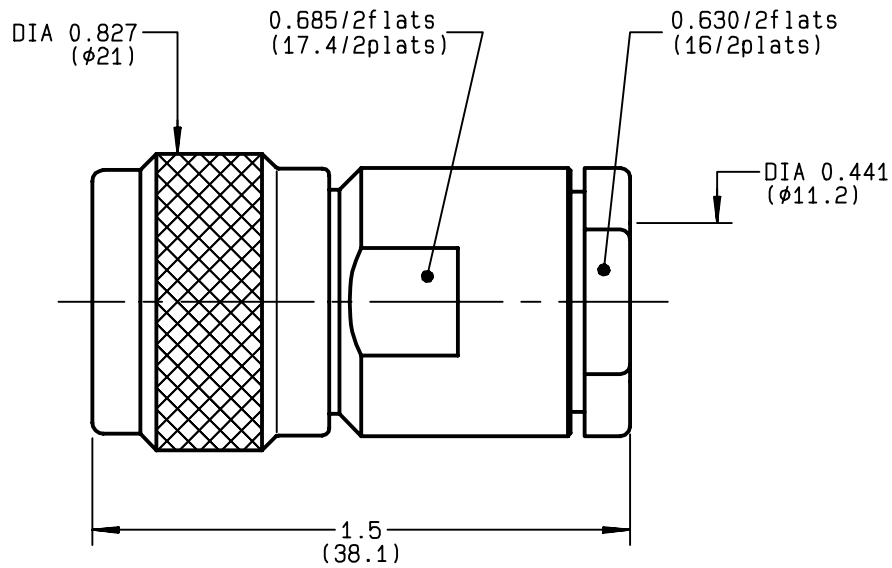


**STRAIGHT PLUG CLAMP TYPE
CABLE 10+11/50+75 S+D**

R161.020.000
SERIES N



NOMINAL IMPEDANCE	50 Ω	CABLES : KX 4
FREQUENCY RANGE	0-11 GHz	KX 8
TEMPERATURE RATING	-55/+155 °C	RG 11
V.S.W.R	1.30* + x F(GHz)Maxi	RG 144
RF INSERTION LOSS	0.048 √F(GHz) dB Maxi	RG 165
VOLTAGE RATING	1400 Veff Maxi	RG 213
DIELECTRIC WITHSTANDING VOLTAGE	2500 Veff Mini	RG 214
INSULATION RESISTANCE	5000 MΩMini	RG 216
HERMETIC SEAL	NA Atm.cm ³ /s	RG 225
LEAKAGE (pressurized only)	NA	RG 393
MECHANICAL DURABILITY	500 Cycles	OTHERS CHARACTERISTICS
WEIGHT	49.7 gr	* ROS = 1.7 pour un cable de 75 ohms
SPECIFICATION	4051348	CABLE RETENTION 300 N Mini
	DHS 795 308 00	CENTER CONTACT RETENTION
	LEA 03C0CN6-203	Axial force - mating end NA N Mini
		Axial force - opposite end NA N Mini
		Torque NA cm.N Mini
		RECOMMENDED TORQUES
		Mating 130 cm.N
		Panel nut NA cm.N
		Clamp nut 800 cm.N

CONNECTOR PARTS	MATERIALS	FINISH	(all values are given in micrometers)
BODY	BRASS	BBR 2	
OUTER CONTACT	BRASS	BBR 2	
CENTER CONTACT	BRASS	GOLD 0.5 OVER NICKEL 2	
INSULATOR	PTFE	-	
GASKET	SILICONE RUBBER	-	
OTHERS PIECES	BRASS	BBR 2	

ISSUE **0243B00** CREATION DATE **03/11/1992** FILE PART-NUMBER **EPC 96-07**



Connect to the future

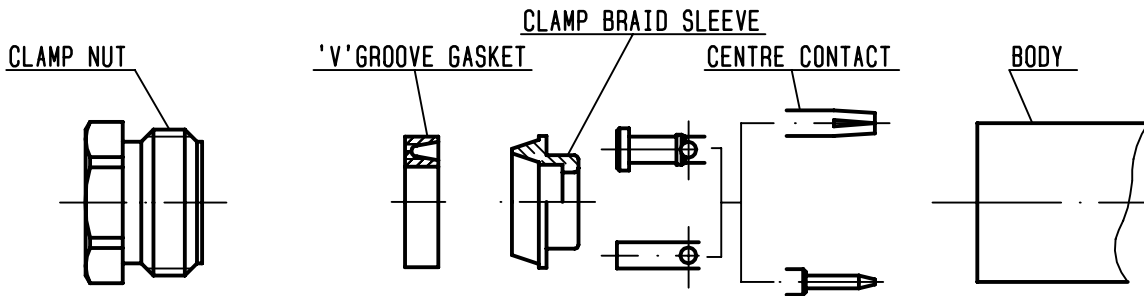
The information given here is subject to change without notice. Design changes may be in order to improve the product.

BONMINI



R161.020.000

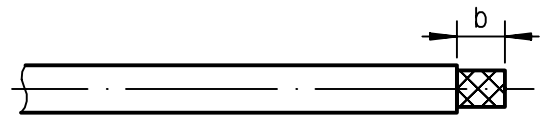
ISSUE **0243B00** SERIES **N**



①

Strip the cable .

-
-
-
-

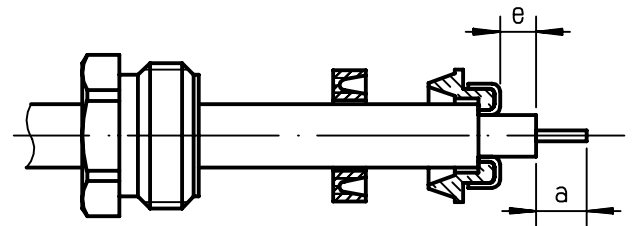


Stripping	a	b	c	d	e
inch	0.197	0.335	0	0	0.059
mm	5	8.5			1.5

②

Slide the clamp nut and the 'V' groove gasket onto the cable .
Slide clamp braid sleeve over braid .
Fold back braid and trim off surplus braid .
Trim back dielectric as shown .

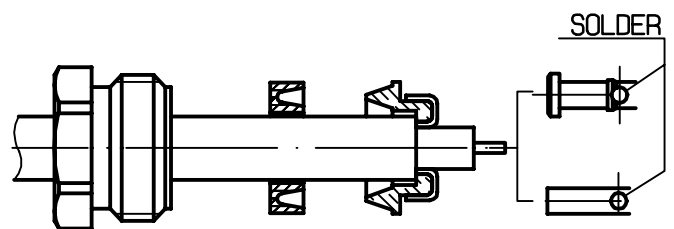
-



③

Solder the cable inner conductor into centre contact .

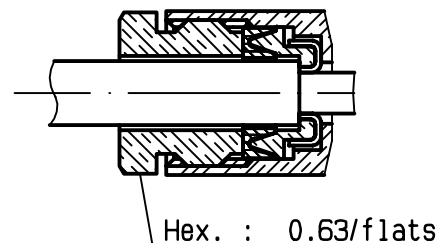
-
-
-
-
-



④

Screw sub-assembly into the connector body .
(recommended coupling torque 70.87 in.lb)

-
-



X-ON Electronics

Largest Supplier of Electrical and Electronic Components

Click to view similar products for [RF Connectors / Coaxial Connectors](#) category:

Click to view products by [Radiall](#) manufacturer:

Other Similar products are found below :

[8915-1511-000](#) [89674-0827](#) [6001-7071-019](#) [6002-7051-003](#) [6002-7551-202](#) [6059674-1](#) [619550-1](#) [630059-000](#) [M39030/3-01N](#) [6500-7071-046](#) [6769](#) [CX050L2AQ](#) [7002-1541-010](#) [7002-1542-011](#) [7004-1512-000](#) [7009-1511-004](#) [7010-1511-000](#) [7029-1511-060](#) [7101-1541-010](#) [7101-1571-002](#) [7145-1521-002](#) [7203-1571-003](#) [7209-1511-011](#) [7210-1511-015](#) [7210-1511-019](#) [73137-5015](#) [73216-2241](#) [73404-2300](#) [7405-1521-005](#) [7405-1521-802](#) [8527](#) [8547](#) [FS11V](#) [877931](#) [8808-1511-001](#) [9074-9513-000](#) [9101-9573-002](#) [910A205F](#) [9130-9573-002](#) [PL11SC-026](#) [PL375-33](#) [PL40-5](#) [PL74C-221](#) [PL75MC-217](#) [PL803-7](#) [1200690078](#) [1-201144-1](#) [R107003010W](#) [R110A172100](#) [R112186000](#)