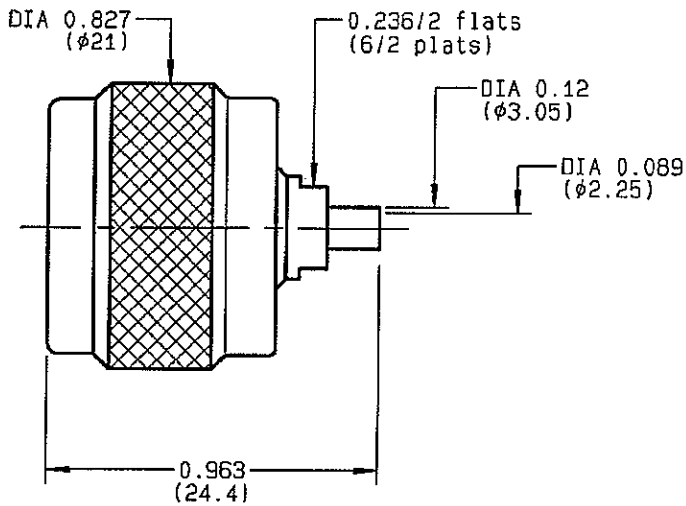


STRAIGHT PLUG SOLDER TYPE CABLE .085	R161.050.300 SERIES N
---	--



NOMINAL IMPEDANCE	50 Ω	CABLES : KS 1
FREQUENCY RANGE	0-11 GHz	RG 405
TEMPERATURE RATING	-55/+105 °C	
V.S.W.R	1.25 + x F(GHz)Max:	
RF INSERTION LOSS	0.048 √F(GHz) dB Max:	
VOLTAGE RATING	335 V _{eff} Max:	
DIELECTRIC WITHSTANDING VOLTAGE	1000 V _{eff} Mini:	
INSULATION RESISTANCE	5000 MΩ Mini	OTHERS CHARACTERISTICS
HERMETIC SEAL	NA Atm.cm ³ /s	CABLE RETENTION
LEAKAGE (pressurized only)	NA	200 N Mini
MECHANICAL DURABILITY	500 Cycles	CENTER CONTACT RETENTION
WEIGHT	25.56 gr	Axial force - mating end
SPECIFICATION		NA N Mini
		Axial force - opposite end
		NA N Mini
		Torque
		NA cm.N Mini
		RECOMMENDED TORQUES
		Mating
		130 cm.N
		Panel nut
		NA cm.N
		Clamp nut
		NA cm.N

CONNECTOR PARTS	MATERIALS	FINISH <small>(all values are given in micrometers)</small>
BODY	BRASS	GOLD 0.2 OVER NICKEL 2
OUTER CONTACT		
CENTER CONTACT	BRASS	GOLD 0.5 OVER NICKEL 2
INSULATOR	PTFE	-
GASKET	SILICONE RUBBER	-
OTHERS PIECES	BRASS	BBR 2

QUERIN

ISSUE 0630 B	CREATION DATE 14/01/1997	FILE PART-NUMBER EPC 96-07	RADIALL ®
------------------------	------------------------------------	--------------------------------------	------------------

The information given here is subject to change without notice. Design changes may be in order to improve the product.

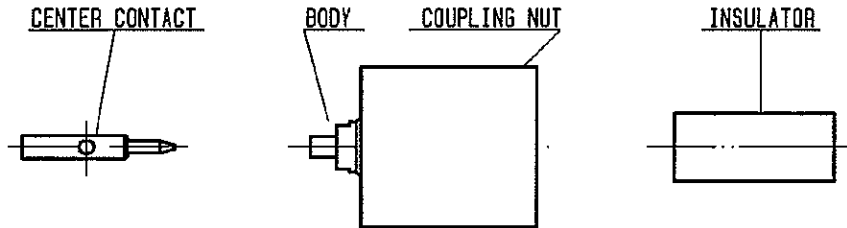
Connect to the future



R161.050.300

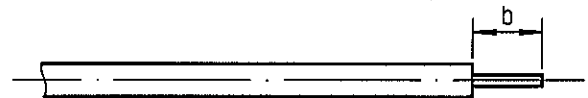
ISSUE **0630 B**

SERIES
N



①

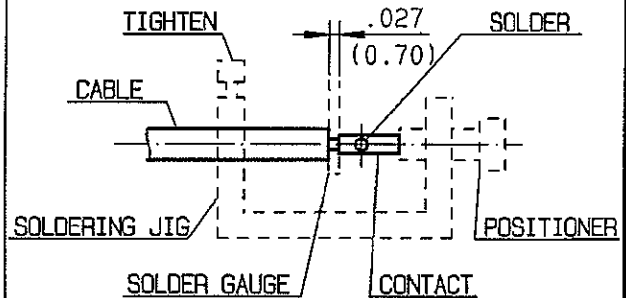
Take the tool kit : R 282 125 010 .
Strip the dielectric of the cable .
Stripping tool cable : R 282 051 .
Trimmer : R 282 063
Clean the cable .



Stripping	a	b	c	d	e
inch	0	0.1250	0	0	0
mm		3.17			

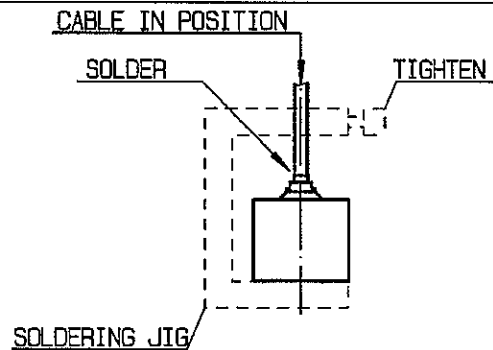
②

Screw the positioner R 282 744 261 onto the soldering jig R 282 740 030 .
Slide contact into positioner .
Insert solder gauge R 282 862 090 between contact and cable .
Tighten and solder the contact .



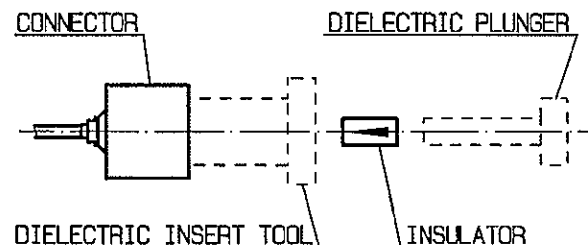
③

After cooling remove cable assembly from the jig .
Slide cable into the connector until it bottoms against the body .
Tighten .
Put 3 rings of solder around the cable and solder .



○

After cooling remove cable assembly from the jig .
Screw female dielectric insert tool onto connector and insert insulator with the dielectric plunger (R 282 730 161) .



QUERIN

X-ON Electronics

Largest Supplier of Electrical and Electronic Components

Click to view similar products for [RF Connectors / Coaxial Connectors](#) category:

Click to view products by [Radiall](#) manufacturer:

Other Similar products are found below :

[8915-1511-000](#) [89674-0827](#) [6001-7071-019](#) [6002-7051-003](#) [6002-7551-202](#) [6059674-1](#) [619550-1](#) [630059-000](#) [M39030/3-01N](#) [6500-7071-046](#) [6769](#) [CX050L2AQ](#) [7002-1541-010](#) [7002-1542-011](#) [7004-1512-000](#) [7009-1511-004](#) [7010-1511-000](#) [7029-1511-060](#) [7101-1541-010](#) [7101-1571-002](#) [7145-1521-002](#) [7203-1571-003](#) [7209-1511-011](#) [7210-1511-015](#) [7210-1511-019](#) [73137-5015](#) [73216-2241](#) [73404-2300](#) [7405-1521-005](#) [7405-1521-802](#) [8527](#) [8547](#) [FS11V](#) [877931](#) [8808-1511-001](#) [9074-9513-000](#) [9101-9573-002](#) [910A205F](#) [9130-9573-002](#) [PL11SC-026](#) [PL375-33](#) [PL40-5](#) [PL74C-221](#) [PL75MC-217](#) [PL803-7](#) [1200690078](#) [1-201144-1](#) [R107003010W](#) [R110A172100](#) [R112186000](#)