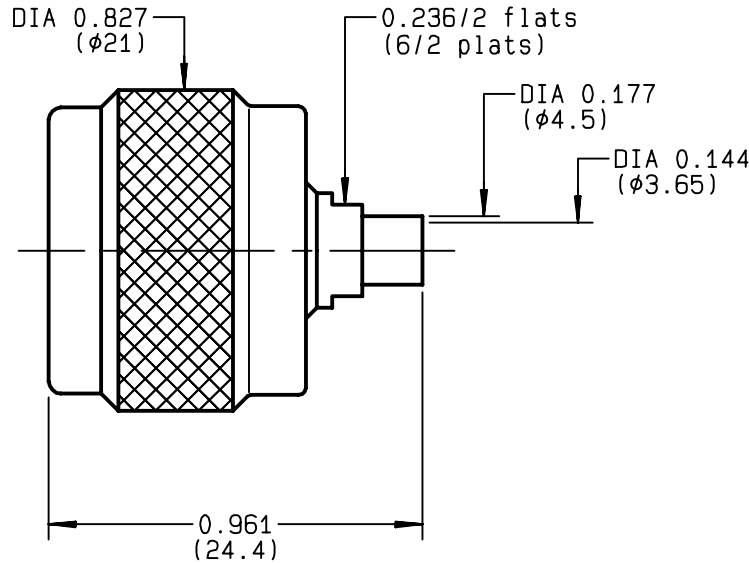


**STRAIGHT PLUG SOLDER TYPE  
CABLE .141**

**R161.051.000**  
**SERIES N**



NOMINAL IMPEDANCE	<b>50</b> Ω	CABLES : <b>KS 2</b>
FREQUENCY RANGE	<b>0-11</b> GHz	<b>RG 402</b>
TEMPERATURE RATING	<b>-55/+105</b> °C	
V.S.W.R	<b>1.15</b> + x F(GHz)Maxi	
RF INSERTION LOSS	<b>0.048</b> √F(GHz) dB Maxi	
VOLTAGE RATING	<b>335</b> Veff Maxi	
DIELECTRIC WITHSTANDING VOLTAGE	<b>1000</b> Veff Mini	
INSULATION RESISTANCE	<b>5000</b> MΩMini	OTHERS CHARACTERISTICS
HERMETIC SEAL	<b>NA</b> Atm.cm <sup>3</sup> /s	CABLE RETENTION <b>500</b> N Mini
LEAKAGE (pressurized only)	<b>NA</b>	CENTER CONTACT RETENTION
MECHANICAL DURABILITY	<b>500</b> Cycles	Axial force - mating end <b>NA</b> N Mini
WEIGHT	<b>24.86</b> gr	Axial force - opposite end <b>NA</b> N Mini
SPECIFICATION		Torque <b>NA</b> cm.N Mini
		RECOMMENDED TORQUES
		Mating <b>130</b> cm.N
		Panel nut <b>NA</b> cm.N
		Clamp nut <b>NA</b> cm.N

CONNECTOR PARTS	MATERIALS	FINISH	(all values are given ) in micrometers
BODY	BRASS	GOLD 0.2 OVER NICKEL 2	
OUTER CONTACT			
CENTER CONTACT	BRASS	GOLD 0.5 OVER NICKEL 2	
INSULATOR	PTFE	-	
GASKET	SILICONE RUBBER	-	
OTHERS PIECES	BRASS	BBR 2	

ISSUE <b>0248K01</b>	CREATION DATE <b>08/02/1993</b>	FILE PART-NUMBER <b>EPC 96-07</b>
-------------------------	------------------------------------	--------------------------------------



BONOMINI

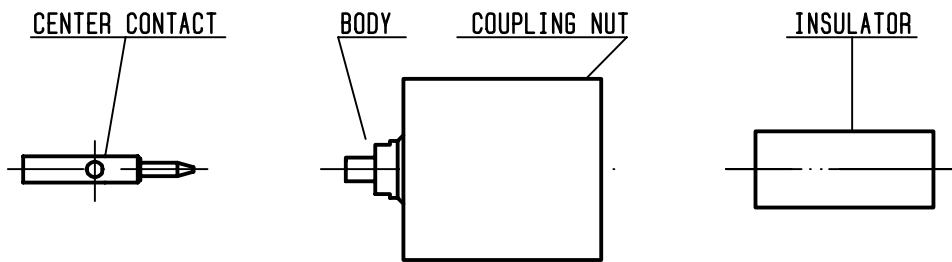
The information given here is subject to change without notice.  
Design changes may be in order to improve the product .

*Connect to the future*



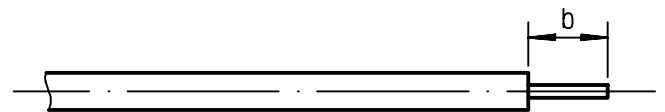
**R161.051.000**

ISSUE **0248K01** SERIES **N**



①

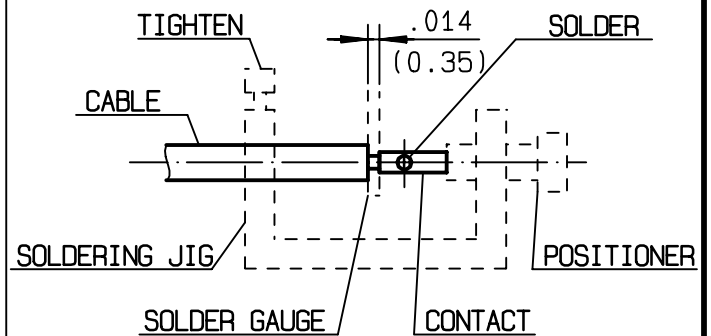
Take the tool kit : R 282 125 010 .  
Strip the dielectric of the cable .  
Stripping tool cable : R 282 053 .  
Trimmer : R 282 066 010 .  
Clean the cable .  
-



Stripping	a	b	c	d	e
inch	0	0.177 0	0	0	0
mm		4.5			

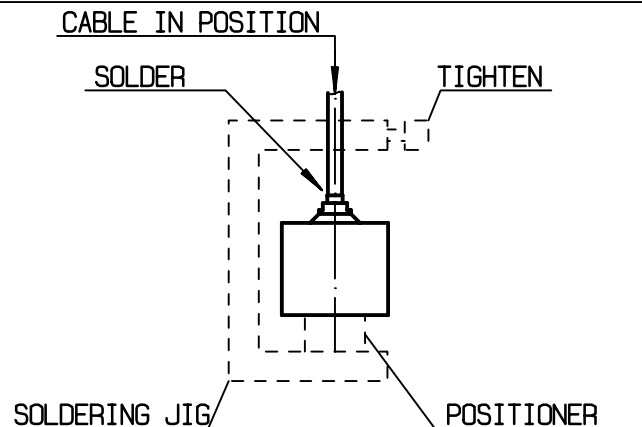
②

Screw the positioner R 282 744 261 onto the soldering jig R 282 740 030 .  
Slide contact into positioner .  
Insert solder gauge R 282 862 070 between contact and cable .  
Tighten and solder the contact .



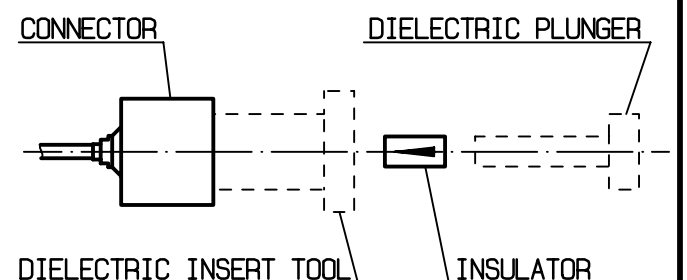
③

After cooling remove cable assembly from the jig .  
Screw positioner R 282 744 340 into the connector .  
Slide cable into the connector until it bottoms againsts positioner R 282 744 340 .  
Tighten .  
Put 3 rings of solder around the cable and solder .



④

After cooling remove cable assembly from the jig .  
Screw female dielectric insert tool onto connector and cut the excess of dielectric with the dielectric recess tool R282 915 030 .  
Insert insulator with the dielectric plunger .  
Dielectric insert tool and dielectric plunger : R282 730 161 .



## X-ON Electronics

Largest Supplier of Electrical and Electronic Components

*Click to view similar products for [RF Connectors / Coaxial Connectors](#) category:*

*Click to view products by [Radiall](#) manufacturer:*

Other Similar products are found below :

[8915-1511-000](#) [89674-0827](#) [6001-7071-019](#) [6002-7051-003](#) [6002-7551-202](#) [6059674-1](#) [619550-1](#) [630059-000](#) [M39030/3-01N](#) [6500-7071-046](#) [6769](#) [CX050L2AQ](#) [7002-1541-010](#) [7002-1542-011](#) [7004-1512-000](#) [7009-1511-004](#) [7010-1511-000](#) [7029-1511-060](#) [7101-1541-010](#) [7101-1571-002](#) [7145-1521-002](#) [7203-1571-003](#) [7209-1511-011](#) [7210-1511-015](#) [7210-1511-019](#) [73137-5015](#) [73216-2241](#) [73404-2300](#) [7405-1521-005](#) [7405-1521-802](#) [8527](#) [8547](#) [FS11V](#) [877931](#) [8808-1511-001](#) [9049-9513-000](#) [9074-9513-000](#) [9101-9573-002](#) [910A205F](#) [9130-9573-002](#) [PL11SC-026](#) [PL375-33](#) [PL40-5](#) [PL74C-221](#) [PL75MC-217](#) [PL803-7](#) [980-8666-005](#) [1200690078](#) [1-201144-1](#) [R107003010W](#)