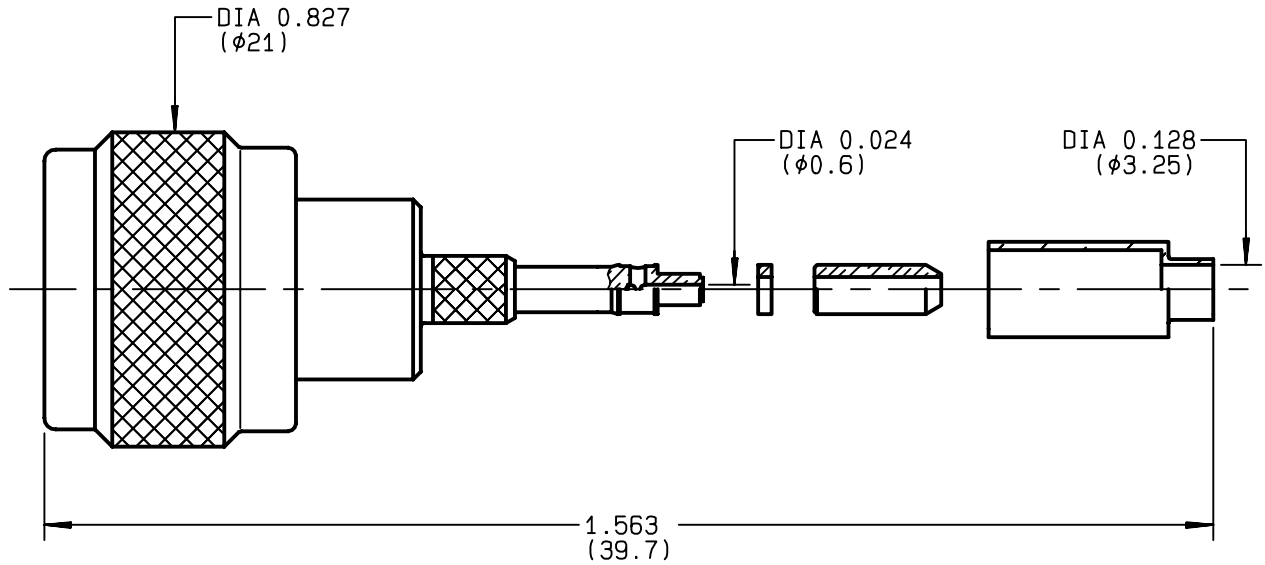


**STRAIGHT PLUG FULL CRIMP TYPE  
CABLE 2.6/50 S+D**

**R161.072.000**  
SERIES N



|                                 |                                  |   |
|---------------------------------|----------------------------------|---|
| NOMINAL IMPEDANCE               | <b>50</b> Ω                      | CABLES : <b>K02252D</b><br><b>KX 22A</b><br><b>RD 316</b><br><b>RG 188</b><br><b>RG 316</b> |
| FREQUENCY RANGE                 | <b>0-11</b> GHz                  |   |
| TEMPERATURE RATING              | <b>-55/+155</b> °C               |   |
| V.S.W.R                         | <b>1.30</b> + x F(GHz)Maxi       |   |
| RF INSERTION LOSS               | <b>0.048</b> √F(GHz) dB Maxi     |   |
| VOLTAGE RATING                  | <b>250</b> Veff Maxi             |   |
| DIELECTRIC WITHSTANDING VOLTAGE | <b>750</b> Veff Mini             |   |
| INSULATION RESISTANCE           | <b>5000</b> MΩMini               |   |
| HERMETIC SEAL                   | <b>NA</b> Atm.cm <sup>3</sup> /s |   |
| LEAKAGE (pressurized only)      | <b>NA</b>                        |   |
| MECHANICAL DURABILITY           | <b>500</b> Cycles                | OTHERS CHARACTERISTICS  |
| WEIGHT                          | <b>29.3</b> gr                   | CABLE RETENTION <b>40</b> N Mini  |
| SPECIFICATION                   |                                  | CENTER CONTACT RETENTION  |
|                                 |                                  | Axial force - mating end <b>68</b> N Mini   |
|                                 |                                  | Axial force - opposite end <b>68</b> N Mini   |
|                                 |                                  | Torque <b>NA</b> cm.N Mini  |
|                                 |                                  | RECOMMENDED TORQUES   |
|                                 |                                  | Mating <b>130</b> cm.N  |
|                                 |                                  | Panel nut <b>NA</b> cm.N  |
|                                 |                                  | Clamp nut <b>NA</b> cm.N  |

| CONNECTOR PARTS | MATERIALS       | FINISH                 | (all values are given in micrometers) |
|-----------------|-----------------|------------------------|---------------------------------------|
| BODY            | BRASS           | BBR 2                  |                                       |
| OUTER CONTACT   | BRASS           | BBR 2                  |                                       |
| CENTER CONTACT  | BRASS           | GOLD 0.5 OVER NICKEL 2 |                                       |
| INSULATOR       | PTFE            | -                      |                                       |
| GASKET          | SILICONE RUBBER | -                      |                                       |
| OTHERS PIECES   | BRASS           | BBR 2                  |                                       |

|                |                   |                  |
|----------------|-------------------|------------------|
| ISSUE          | CREATION DATE     | FILE PART-NUMBER |
| <b>9812C01</b> | <b>21/07/1993</b> | <b>EPC 96-07</b> |



BONMINI

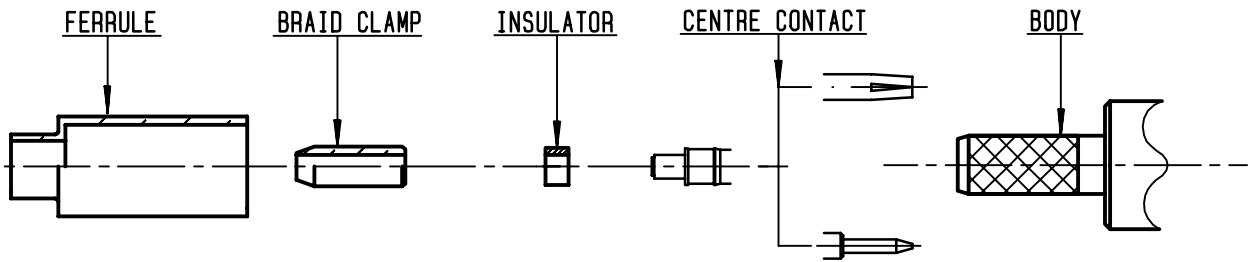
The information given here is subject to change without notice. Design changes may be in order to improve the product.

*Connect to the future*



**R161.072.000**

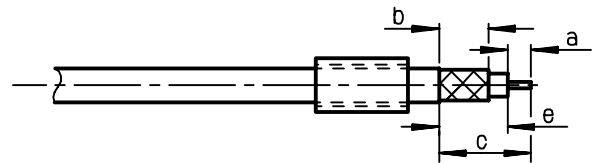
ISSUE **9812C01** SERIES **N**



①

Slide onto the cable the ferrule  
Strip the cable .

-  
-



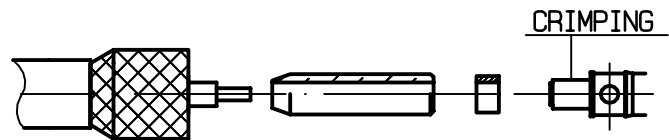
| Stripping | a     | b     | c     | d | e     |
|-----------|-------|-------|-------|---|-------|
| inch      | 0.177 | 0.315 | 0.551 | 0 | 0.374 |
| mm        | 4.5   | 8     | 14    |   | 9.5   |

②

Fan the braid .  
Slide the braid clamp and insulator  
between the dielectrique and the braid .  
Slide on centre contact until it  
bottoms against cable dielectrique .

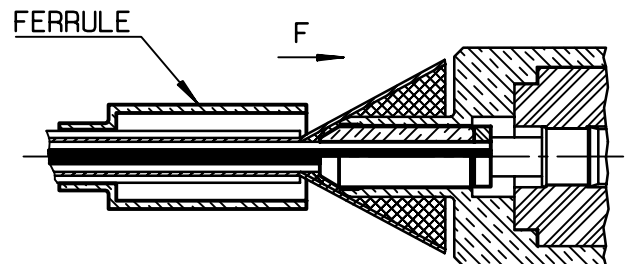
Crimp centre contact .

Crimping tool : R282 223 000 ( Hex. : 0.068 )  
or crimping tool R282 293 000 ( M22520/5-01 )  
+ dies R282 235 011 ( M22520/5-11 )



③

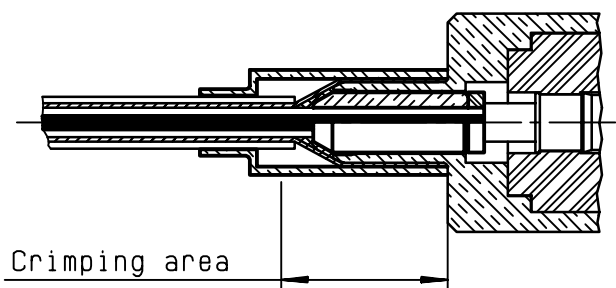
Slide cable dielectric into the body  
while gently grinding the braid over the knurl  
Push until the dielectric clicks into  
position .  
Slide ferrule over braid in direction F .



④

Crimp the ferrule with crimping tool  
R 282 223 000 ( Hex. : 0.213 ) or  
crimping tool R282 293 000 ( M22520/5-01 )  
+ dies R282 235 011 ( M22520/5-11 )  
Cut the excess of braid .

-  
-



## X-ON Electronics

Largest Supplier of Electrical and Electronic Components

*Click to view similar products for [RF Connectors / Coaxial Connectors](#) category:*

*Click to view products by [Radiall](#) manufacturer:*

Other Similar products are found below :

[8915-1511-000](#) [89674-0827](#) [6001-7071-019](#) [6002-7051-003](#) [6002-7551-202](#) [6059674-1](#) [619550-1](#) [630059-000](#) [M39030/3-01N](#) [6500-7071-046](#) [6769](#) [CX050L2AQ](#) [7002-1541-010](#) [7002-1542-011](#) [7004-1512-000](#) [7009-1511-004](#) [7010-1511-000](#) [7029-1511-060](#) [7101-1541-010](#) [7101-1571-002](#) [7145-1521-002](#) [7203-1571-003](#) [7209-1511-011](#) [7210-1511-015](#) [7210-1511-019](#) [73137-5015](#) [73216-2241](#) [73404-2300](#) [7405-1521-005](#) [7405-1521-802](#) [8527](#) [8547](#) [FS11V](#) [877931](#) [8808-1511-001](#) [9049-9513-000](#) [9074-9513-000](#) [9101-9573-002](#) [910A205F](#) [9130-9573-002](#) [PL11SC-026](#) [PL375-33](#) [PL40-5](#) [PL74C-221](#) [PL75MC-217](#) [PL803-7](#) [980-8666-005](#) [1200690078](#) [1-201144-1](#) [R107003010W](#)