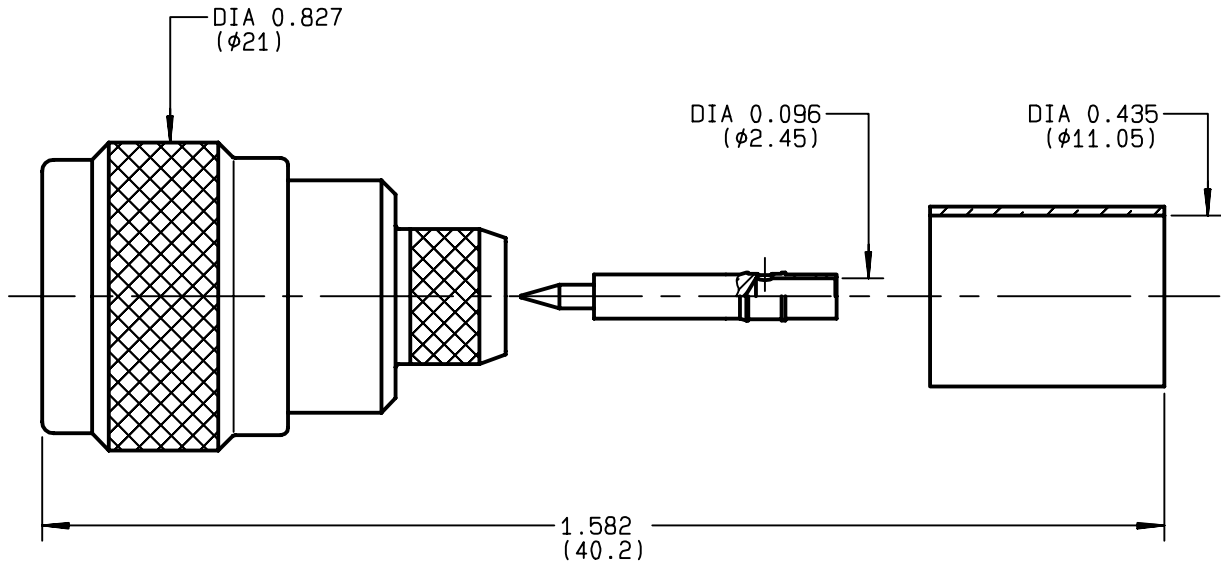


**STRAIGHT PLUG FULL CRIMP TYPE
CABLE 10/50 S**

R161.075.000
SERIES N



| | | |
|---------------------------------|----------------------------------|--|
| NOMINAL IMPEDANCE | 50 Ω | CABLES : KX 4 RG 165 RG 213 |
| FREQUENCY RANGE | 0-11 GHz | |
| TEMPERATURE RATING | -55/+155 °C | |
| V.S.W.R | 1.30 + x F(GHz)Maxi | |
| RF INSERTION LOSS | 0.048 √F(GHz) dB Maxi | |
| VOLTAGE RATING | 1400 Veff Maxi | |
| DIELECTRIC WITHSTANDING VOLTAGE | 2500 Veff Mini | |
| INSULATION RESISTANCE | 5000 MΩMini | |
| HERMETIC SEAL | NA Atm.cm ³ /s | |
| LEAKAGE (pressurized only) | NA | |
| MECHANICAL DURABILITY | 500 Cycles | OTHERS CHARACTERISTICS |
| WEIGHT | 35.8 gr | CABLE RETENTION 300 N Mini |
| SPECIFICATION | | CENTER CONTACT RETENTION |
| | | Axial force - mating end 68 N Mini |
| | | Axial force - opposite end 68 N Mini |
| | | Torque NA cm.N Mini |
| | | RECOMMENDED TORQUES |
| | | Mating 130 cm.N |
| | | Panel nut NA cm.N |
| | | Clamp nut NA cm.N |

| CONNECTOR PARTS | MATERIALS | FINISH | (all values are given) in micrometers |
|-----------------|-----------------|------------------------|---|
| BODY | BRASS | BBR 2 | |
| OUTER CONTACT | BRASS | BBR 2 | |
| CENTER CONTACT | BRASS | GOLD 0.5 OVER NICKEL 2 | |
| INSULATOR | PTFE | - | |
| GASKET | SILICONE RUBBER | - | |
| OTHERS PIECES | BRASS | BBR 2 | |

| | | |
|-------------------------|------------------------------------|--------------------------------------|
| ISSUE 0243S02 | CREATION DATE 21/07/1993 | FILE PART-NUMBER EPC 96-07 |
|-------------------------|------------------------------------|--------------------------------------|



BONOMINI

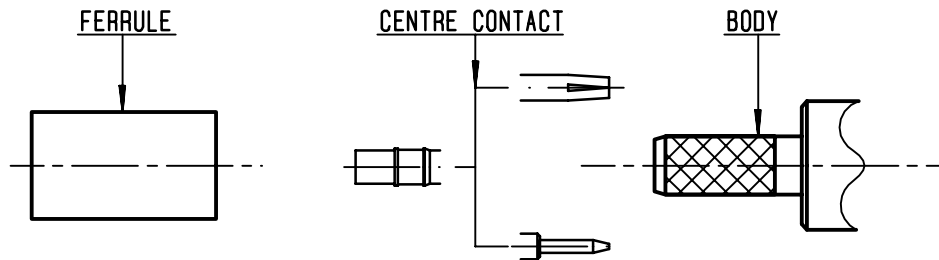
The information given here is subject to change without notice.
Design changes may be in order to improve the product .

Connect to the future



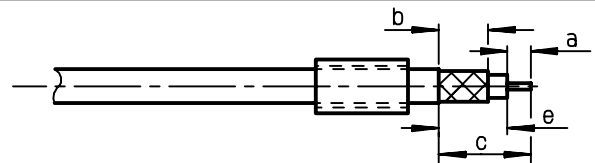
R161.075.000

ISSUE **0243S02** SERIES **N**



①

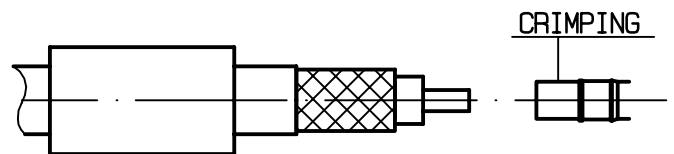
Slide onto the cable the ferrule
Strip the cable .
-
-



| Stripping | a | b | c | d | e |
|-----------|-------|-------|-------|---|-------|
| inch | 0.197 | 0.315 | 0.551 | 0 | 0.354 |
| mm | 5 | 8 | 14 | | 9 |

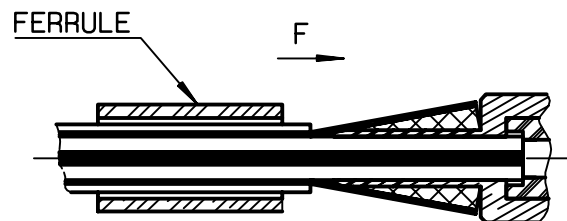
②

Slide on centre contact until it bottoms against cable dielectrique .
Crimp centre contact .
Crimping tool : R282 231 000 (Hex. : .100)
or R282 293 000 (M22520/5-01)
+ dies R282 235 116 (Y 116 DANIELS).
-
-
-



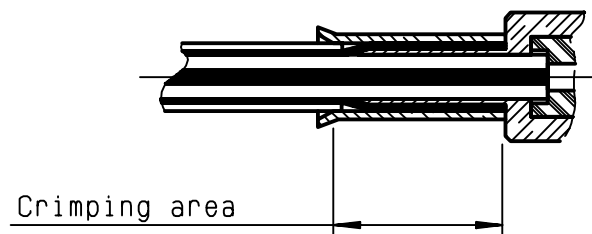
③

Fan the braid .
Slide cable dielectrique into the body while gently ginding the braid over the knurl
Push until the dielectrique clicks into position .
Slide ferrule over braid in direction F .



④

Crimp the ferrule with crimping tool R 282 231 000 (Hex. : .415) or crimping tool R282 293 000 (M22520/5-01) + dies R282 235 116 (Y 116 DANIELS).
Cut the excess of braid .
-
-



X-ON Electronics

Largest Supplier of Electrical and Electronic Components

Click to view similar products for [RF Connectors / Coaxial Connectors](#) category:

Click to view products by [Radiall](#) manufacturer:

Other Similar products are found below :

[8915-1511-000](#) [89674-0827](#) [6001-7071-019](#) [6002-7051-003](#) [6002-7551-202](#) [6059674-1](#) [619550-1](#) [630059-000](#) [M39030/3-01N](#) [6500-7071-046](#) [6769](#) [CX050L2AQ](#) [7002-1541-010](#) [7002-1542-011](#) [7004-1512-000](#) [7009-1511-004](#) [7010-1511-000](#) [7029-1511-060](#) [7101-1541-010](#) [7101-1571-002](#) [7145-1521-002](#) [7203-1571-003](#) [7209-1511-011](#) [7210-1511-015](#) [7210-1511-019](#) [73137-5015](#) [73216-2241](#) [73404-2300](#) [7405-1521-005](#) [7405-1521-802](#) [8527](#) [8547](#) [FS11V](#) [877931](#) [8808-1511-001](#) [9074-9513-000](#) [9101-9573-002](#) [910A205F](#) [9130-9573-002](#) [PL11SC-026](#) [PL375-33](#) [PL40-5](#) [PL74C-221](#) [PL75MC-217](#) [PL803-7](#) [1200690078](#) [1-201144-1](#) [R107003010W](#) [R110A172100](#) [R112186000](#)