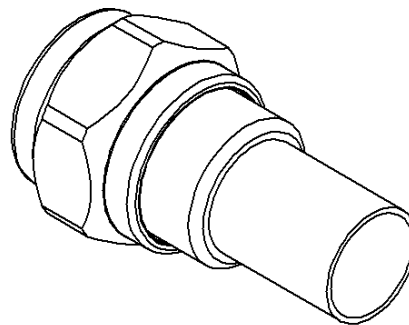
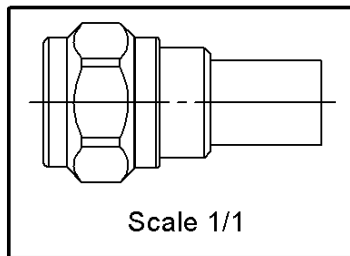
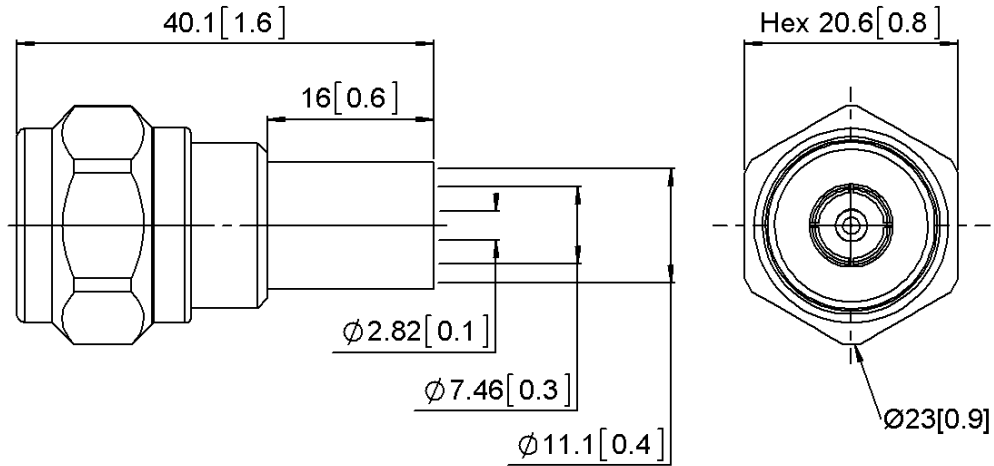
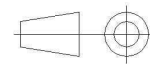


PAGE 1/2	ISSUE 1423 A	SERIES N	PART NUMBER R161088180
----------	--------------	----------	-------------------------------



All dimensions are in mm.



COMPONENTS	MATERIALS	PLATING (µm)
Body	BRASS.	BBR2
Center contact	BRASS.	GOLD 0.5 OVER NICKEL 2
Outer contact	BRASS.	BBR2
Insulator	PTFE	
Gasket	SILICONE RUBBER	
Others parts	BRASS.	BBR2
-	-	-
-	-	-

PAGE 2/2	ISSUE 1423 A	SERIES N	PART NUMBER R161088180
----------	--------------	----------	-------------------------------

PACKAGING

Standard	Unit	Other
50	Contact us	Contact us

ELECTRICAL CHARACTERISTICS

Impedance	50	Ω
Frequency	0-11	GHz
VSWR	1.30 + 0.0000	x F(GHz) Maxi
Insertion loss	0.048	√F(GHz) dB Maxi
RF leakage	- (101)	- F(GHz) dB Maxi
Voltage rating	1400	Veff Maxi
Dielectric withstanding voltage	2000	Veff mini
Insulation resistance	5000	MΩ mini

ENVIRONMENTAL

Operating temperature	-55/+155	°C
Hermetic seal	NA	Atm.cm3/s
Panel leakage	NA	

SPECIFICATION

MECHANICAL CHARACTERISTICS

Center contact retention		
Axial force – Mating End	68	N mini
Axial force – Opposite end	68	N mini
Torque	NA	N.cm mini
Recommended torque		
Mating	130	N.cm
Panel nut	NA	N.cm
Clamp nut	NA	N.cm
A/F clamp nut	0.0000	mm
Mating life	500	Cycles mini
Weight	38.4700	g

CABLE ASSEMBLY

Stripping	a	b	c	d	e	f
mm	5	8	14	0	9	0

Assembly instruction: **Crimp 01**

Recommended cable(s)

AEP-400FR
LMR 400 FR
LMR 400

Characteristics indicated on this data sheet are those that can be achieved with the highest performance cable. Intrinsic limitations of the cable may diminish the performance of the assembly

Cable retention

- pull off	400	N mini
- torque	NA	N.cm

TOOLING

Part Number	Description	Hexagon
R282231000	CRIMPING TOOL	10.54
R282235116	CRIMPING DIES	10.54
R282293000	CRIMPING TOOL M22520/5-01	

OTHER CHARACTERISTICS

X-ON Electronics

Largest Supplier of Electrical and Electronic Components

Click to view similar products for [RF Connectors / Coaxial Connectors](#) category:

Click to view products by [Radiall](#) manufacturer:

Other Similar products are found below :

[8915-1511-000](#) [89674-0827](#) [6001-7071-019](#) [6002-7051-003](#) [6002-7551-202](#) [6059674-1](#) [619550-1](#) [630059-000](#) [M39030/3-01N](#) [6500-7071-046](#) [6769](#) [CX050L2AQ](#) [7002-1541-010](#) [7002-1542-011](#) [7004-1512-000](#) [7009-1511-004](#) [7010-1511-000](#) [7029-1511-060](#) [7101-1541-010](#) [7101-1571-002](#) [7105-1521-002](#) [7145-1521-002](#) [7203-1571-003](#) [7209-1511-011](#) [7210-1511-015](#) [7210-1511-019](#) [73137-5015](#) [73216-2241](#) [73404-2300](#) [7405-1521-005](#) [7405-1521-802](#) [8527](#) [8547](#) [FS11V](#) [877931](#) [8808-1511-001](#) [9074-9513-000](#) [9101-9573-002](#) [910A205F](#) [9130-9573-002](#) [PL11SC-026](#) [PL375-33](#) [PL40-5](#) [PL74C-221](#) [PL75MC-217](#) [PL803-7](#) [1200690078](#) [1-201144-1](#) [R107003010W](#) [R110A172100](#)