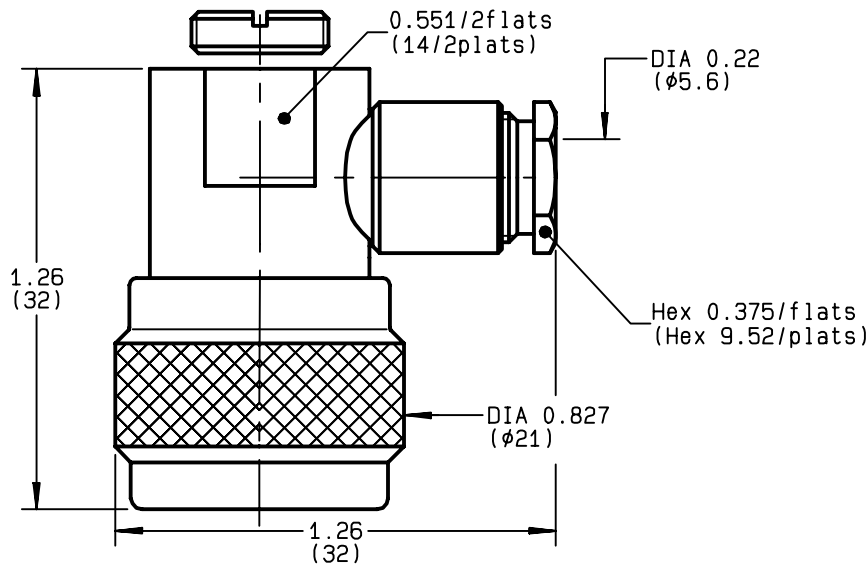


**RIGHT ANGLE PLUG CLAMP TYPE  
CABLE 5/50 S+D**

**R161.157.000**  
**SERIES N**



NOMINAL IMPEDANCE	<b>50</b> Ω	CABLES : <b>KX 15</b> <b>KX 23</b> <b>RG 141</b> <b>RG 142</b> <b>RG 142 FTX</b> <b>RG 223</b> <b>RG 400</b> <b>RG 58</b>
FREQUENCY RANGE	<b>0-11</b> GHz	
TEMPERATURE RATING	<b>-55/+155</b> °C	
V.S.W.R	<b>1.50</b> + x F(GHz)Maxi	
RF INSERTION LOSS	<b>0.07</b> √F(GHz) dB Maxi	
VOLTAGE RATING	<b>850</b> Veff Maxi	
DIELECTRIC WITHSTANDING VOLTAGE	<b>1500</b> Veff Mini	
INSULATION RESISTANCE	<b>5000</b> MΩMini	
HERMETIC SEAL	<b>NA</b> Atm.cm <sup>3</sup> /s	
LEAKAGE (pressurized only)	<b>NA</b>	
MECHANICAL DURABILITY	<b>500</b> Cycles	OTHERS CHARACTERISTICS  CABLE RETENTION <b>150</b> N Mini CENTER CONTACT RETENTION Axial force - mating end <b>27</b> N Mini Axial force - opposite end <b>27</b> N Mini Torque <b>NA</b> cm.N Mini RECOMMENDED TORQUES Mating <b>130</b> cm.N Panel nut <b>NA</b> cm.N Clamp nut <b>150</b> cm.N
WEIGHT	<b>80</b> gr	
SPECIFICATION		

CONNECTOR PARTS	MATERIALS	FINISH	(all values are given ) in micrometers
BODY	BRASS	BBR 2	
OUTER CONTACT	BRASS	BBR 2	
CENTER CONTACT	BRASS	GOLD 0.5 OVER NICKEL 2	
INSULATOR	PTFE	-	
GASKET	SILICONE RUBBER	-	
OTHERS PIECES	BRASS	BBR 2	

ISSUE	CREATION DATE	FILE PART-NUMBER
<b>9812J01</b>	<b>30/06/1993</b>	<b>EPC 96-07</b>



BONMINI

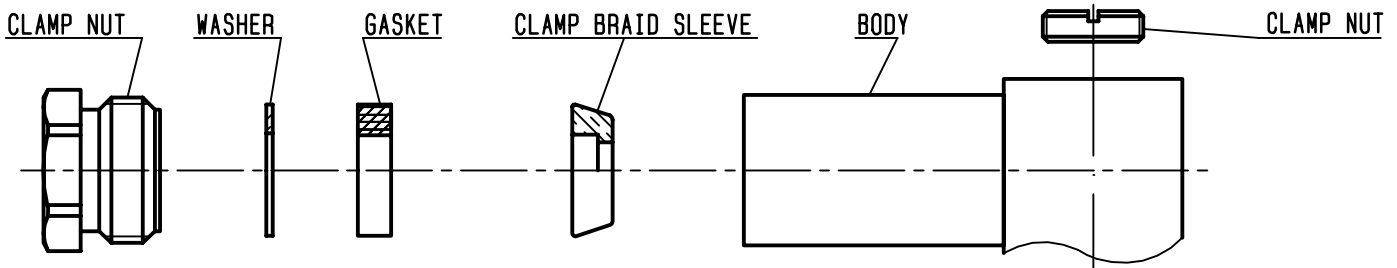
The information given here is subject to change without notice.  
Design changes may be in order to improve the product .

*Connect to the future*



**R161.157.000**

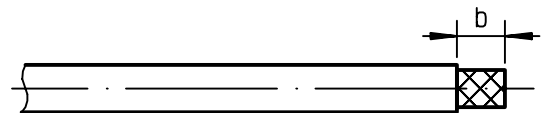
ISSUE **9812J01** SERIES **N**



①

Strip the cable .

-  
-  
-  
-



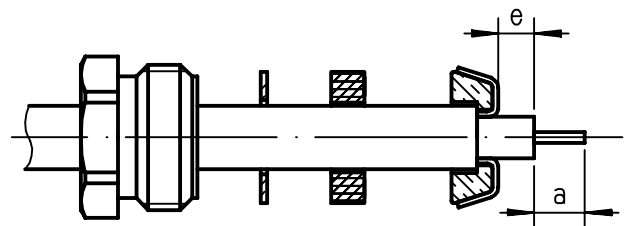
Stripping	a	b	c	d	e
inch	0.138	0.453	0	0	0.276
mm	3.5	11.5			7

②

Slide the clamp nut , the washer and the gasket onto the cable .

Slide clamp braid sleeve over braid .  
Fold back braid and trim off surplus braid .

Trim back dielectric as shown .



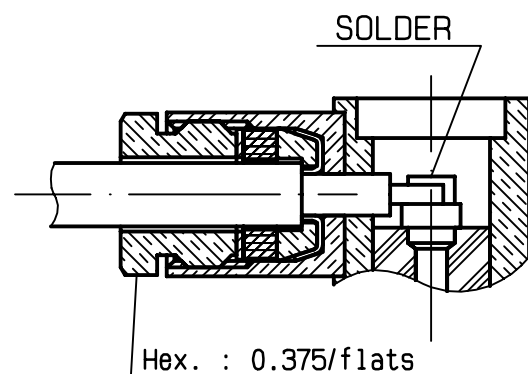
③

Screw sub-assembly into the connector body .

( recommended coupling torque 13.27 in.lb )

-

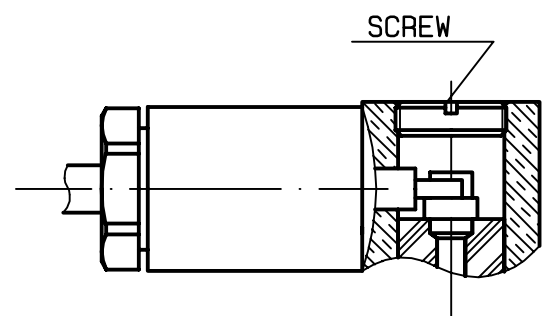
Solder center contact .



④

Screw clamp nut into the body .

-  
-  
-  
-



## X-ON Electronics

Largest Supplier of Electrical and Electronic Components

*Click to view similar products for [RF Connectors / Coaxial Connectors](#) category:*

*Click to view products by [Radiall](#) manufacturer:*

Other Similar products are found below :

[8915-1511-000](#) [89674-0827](#) [6001-7071-019](#) [6002-7051-003](#) [6002-7551-202](#) [6059674-1](#) [619550-1](#) [630059-000](#) [M39030/3-01N](#) [6500-7071-046](#) [6769](#) [CX050L2AQ](#) [7002-1541-010](#) [7002-1542-011](#) [7004-1512-000](#) [7009-1511-004](#) [7010-1511-000](#) [7029-1511-060](#) [7101-1541-010](#) [7101-1571-002](#) [7145-1521-002](#) [7203-1571-003](#) [7209-1511-011](#) [7210-1511-015](#) [7210-1511-019](#) [73137-5015](#) [73216-2241](#) [73404-2300](#) [7405-1521-005](#) [7405-1521-802](#) [8527](#) [8547](#) [FS11V](#) [877931](#) [8808-1511-001](#) [9074-9513-000](#) [9101-9573-002](#) [910A205F](#) [9130-9573-002](#) [PL11SC-026](#) [PL375-33](#) [PL40-5](#) [PL74C-221](#) [PL75MC-217](#) [PL803-7](#) [1200690078](#) [1-201144-1](#) [R107003010W](#) [R110A172100](#) [R112186000](#)