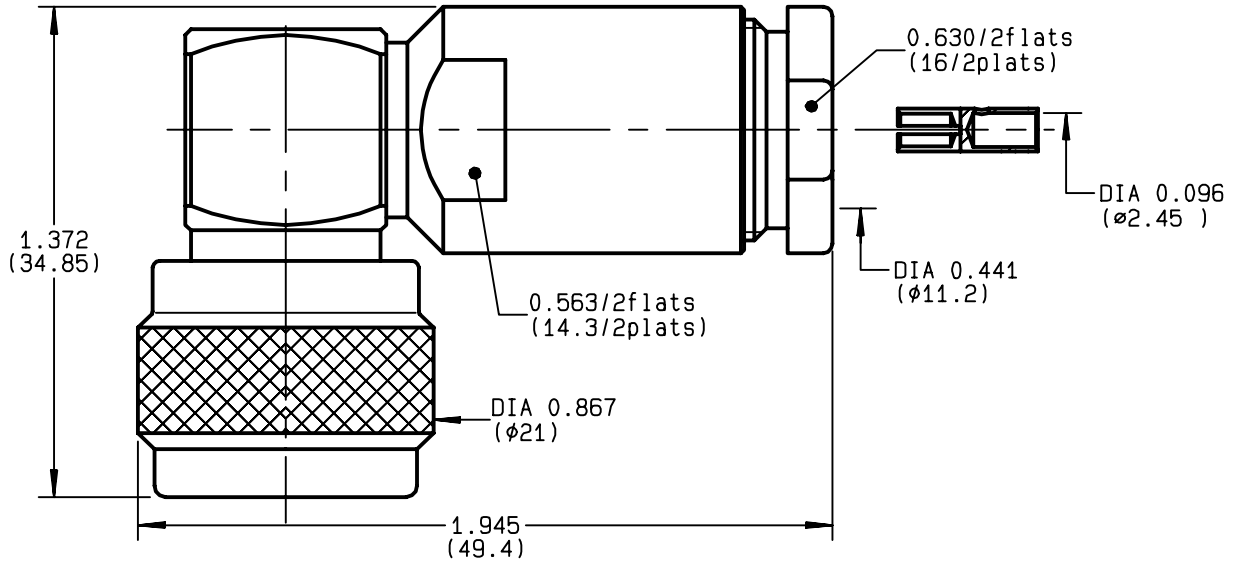


**RIGHT ANGLE PLUG CLAMP TYPE
CABLE 10+11/50 S+D**

R161.168.000
SERIES N



NOMINAL IMPEDANCE	50	Ω
FREQUENCY RANGE	0-11	GHz
TEMPERATURE RATING	-55/+155	°C
V.S.W.R	1.50 +	x F(GHz)Maxi
RF INSERTION LOSS	0.07	\sqrt{F} (GHz) dB Maxi
VOLTAGE RATING	1400	Veff Maxi
DIELECTRIC WITHSTANDING VOLTAGE	2500	Veff Mini
INSULATION RESISTANCE	5000	M Ω Mini
HERMETIC SEAL	NA	Atm.cm ³ /s
LEAKAGE (pressurized only)	NA	
MECHANICAL DURABILITY	500	Cycles
WEIGHT	69.9	gr
SPECIFICATION		

- CABLES : **KX 4**
KX 8
RG 11
RG 144
RG 165
RG 213
RG 214
RG 216
RG 225
RG 393

OTHERS CHARACTERISTICS

CABLE RETENTION	200	N Mini
CENTER CONTACT RETENTION		
Axial force - mating end	68	N Mini
Axial force - opposite end	68	N Mini
Torque	NA	cm.N Mini
RECOMMENDED TORQUES		
Mating	130	cm.N
Panel nut	NA	cm.N
Clamp nut	500	cm.N

CONNECTOR PARTS	MATERIALS	FINISH	(all values are given in micrometers)
BODY	BRASS	BBR 2	
OUTER CONTACT	BRASS	BBR 2	
CENTER CONTACT	BRASS	GOLD 0.5 OVER NICKEL 2	
INSULATOR	PTFE	-	
GASKET	SILICONE RUBBER	-	
OTHERS PIECES	BRASS	BBR 2	

BONMINI

ISSUE	CREATION DATE	FILE PART-NUMBER
9812E01	24/04/1993	EPC 96-07



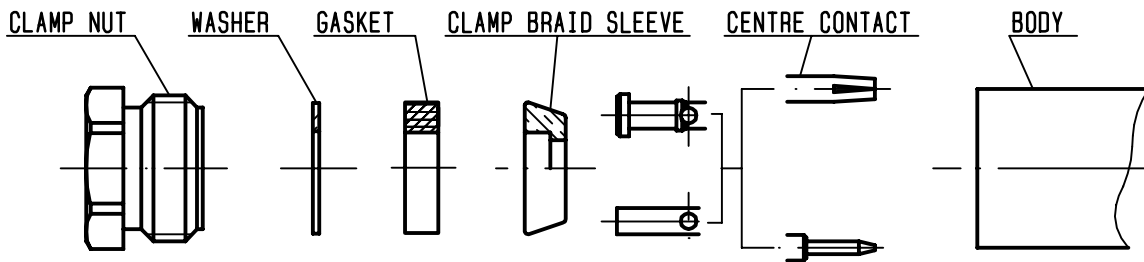
The information given here is subject to change without notice. Design changes may be in order to improve the product .

Connect to the future



R161.168.000

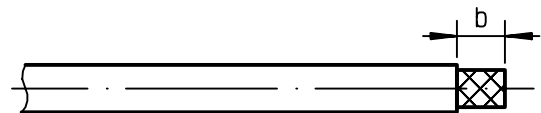
ISSUE **9812E01** SERIES **N**



①

Strip the cable .

-
-
-
-



Stripping	a	b	c	d	e
inch	0.157	0.394	0	0	0.098
mm	4	10			2.5

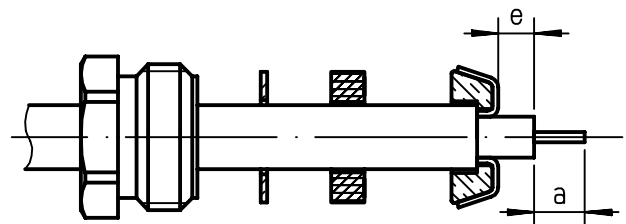
②

Slide the clamp nut , the washer and the gasket onto the cable .

Slide clamp braid sleeve over braid .
Fold back braid and trim off surplus braid .

Trim back dielectric as shown .

-

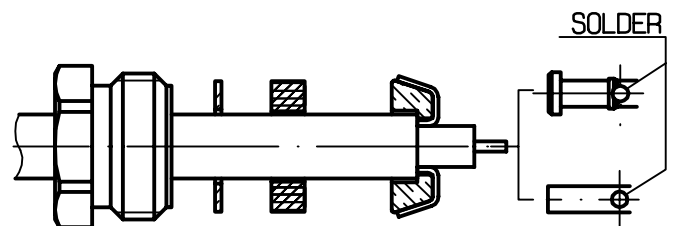


③

Solder or crimp the center contact on the center conductor .

Crimping tool R 282 231 000 (Hex. : .10) or crimping tool R 282 293 000 (M22520/5-01) + dies R 282 235 116 (Y 116 DANIELS) .

-
-

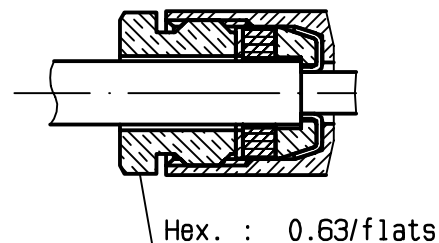


④

Screw sub-assembly into the connector body .

(recommended coupling torque 44.25 in.lb)

-
-



X-ON Electronics

Largest Supplier of Electrical and Electronic Components

Click to view similar products for [RF Connectors / Coaxial Connectors](#) category:

Click to view products by [Radiall](#) manufacturer:

Other Similar products are found below :

[8915-1511-000](#) [89674-0827](#) [6001-7071-019](#) [6002-7051-003](#) [6002-7551-202](#) [6059674-1](#) [619550-1](#) [630059-000](#) [M39030/3-01N](#) [6500-7071-046](#) [6769](#) [CX050L2AQ](#) [7002-1541-010](#) [7002-1542-011](#) [7004-1512-000](#) [7009-1511-004](#) [7010-1511-000](#) [7029-1511-060](#) [7101-1541-010](#) [7101-1571-002](#) [7145-1521-002](#) [7203-1571-003](#) [7209-1511-011](#) [7210-1511-015](#) [7210-1511-019](#) [73137-5015](#) [73216-2241](#) [73404-2300](#) [7405-1521-005](#) [7405-1521-802](#) [8527](#) [8547](#) [FS11V](#) [877931](#) [8808-1511-001](#) [9049-9513-000](#) [9074-9513-000](#) [9101-9573-002](#) [910A205F](#) [9130-9573-002](#) [PL11SC-026](#) [PL375-33](#) [PL40-5](#) [PL74C-221](#) [PL75MC-217](#) [PL803-7](#) [1200690078](#) [1-201144-1](#) [R107003010W](#) [R110A172100](#)