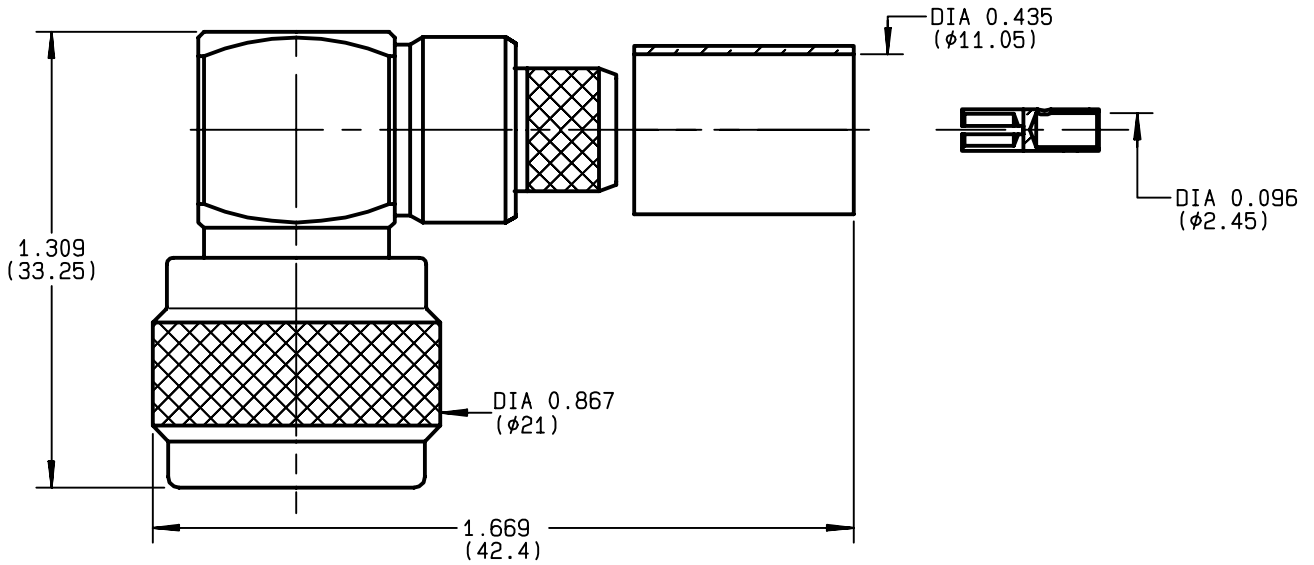


**RIGHT ANGLE PLUG FULL CRIMP-TYPE  
CABLE 10/50 S**

**R161.185.000**  
**SERIES N**



NOMINAL IMPEDANCE	<b>50</b> Ω	CABLES : <b>KX 4</b>
FREQUENCY RANGE	<b>0-11</b> GHz	<b>RG 165</b>
TEMPERATURE RATING	<b>-55/+155</b> °C	<b>RG 213</b>
V.S.W.R	<b>1.70</b> + x F(GHz)Maxi	
RF INSERTION LOSS	<b>0.07</b> √F(GHz) dB Maxi	
VOLTAGE RATING	<b>1400</b> Veff Maxi	
DIELECTRIC WITHSTANDING VOLTAGE	<b>2500</b> Veff Mini	
INSULATION RESISTANCE	<b>5000</b> MΩMini	OTHERS CHARACTERISTICS
HERMETIC SEAL	<b>NA</b> Atm.cm <sup>3</sup> /s	CABLE RETENTION <b>300</b> N Mini
LEAKAGE (pressurized only)	<b>NA</b>	CENTER CONTACT RETENTION
MECHANICAL DURABILITY	<b>500</b> Cycles	Axial force - mating end <b>27</b> N Mini
WEIGHT	<b>45</b> gr	Axial force - opposite end <b>27</b> N Mini
SPECIFICATION		Torque <b>NA</b> cm.N Mini
		RECOMMENDED TORQUES
		Mating <b>130</b> cm.N
		Panel nut <b>NA</b> cm.N
		Clamp nut <b>NA</b> cm.N

CONNECTOR PARTS	MATERIALS	FINISH	(all values are given in micrometers)
BODY	BRASS	BBR 2	
OUTER CONTACT	BRASS	BBR 2	
CENTER CONTACT	BRASS	GOLD 0.5 OVER NICKEL 2	
INSULATOR	PTFE	-	
GASKET	SILICONE RUBBER	-	
OTHERS PIECES	BRASS	BBR 2	

ISSUE	CREATION DATE	FILE PART-NUMBER
<b>9813T03</b>	<b>18/02/1993</b>	<b>EPC 96-07</b>



BONMINI

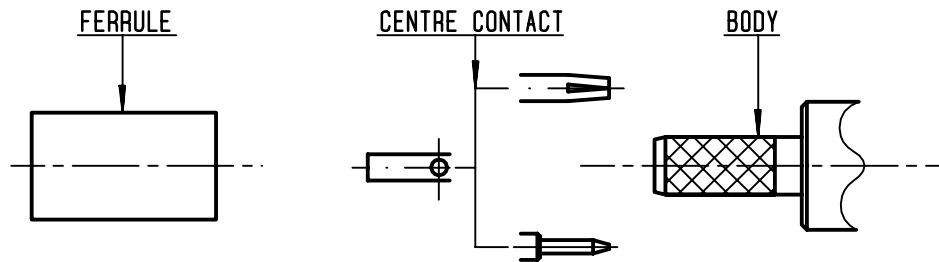
The information given here is subject to change without notice.  
Design changes may be in order to improve the product .

*Connect to the future*



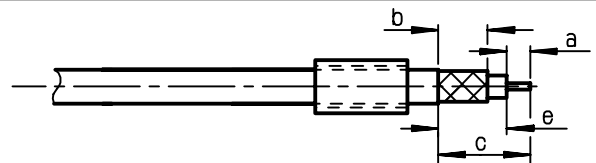
**R161.185.000**

ISSUE **9813T03** SERIES **N**



①

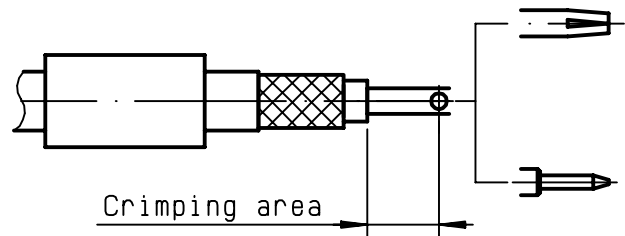
Slide onto the cable the ferrule .  
-  
Strip the cable .  
-  
-



Stripping	a	b	c	d	e
inch	0.177	0.315	0.591	0	0.413
mm	4.5	8	15		10.5

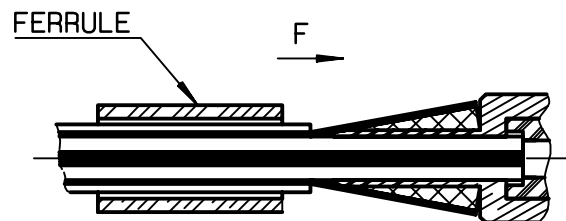
②

Slide on centre contact until it bottoms against cable dielectrique .  
Crimp centre contact , crimping tool R 282 231 000 ( Hex. : .10 ) or crimping tool R 282 293 000 ( M22520/5-01 ) + dies R 282 235 116 ( Y 116 DANIELS ) .  
-  
-



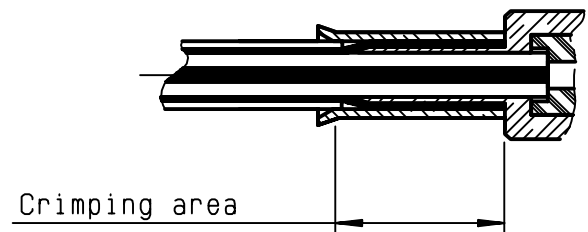
③

Fan the braid .  
Slide cable into the body until bottoms against insulator .  
Slide ferrule over the braid .  
(In direction F)



④

Crimp the ferrule with crimping tool R 282 231 000 ( Hex. : .415 ) or crimping tool R 282 293 000 ( M22520/5-01 ) + dies R 282 235 116 ( Y 116 DANIELS ) .  
Cut the excess of braid .  
-  
-



## X-ON Electronics

Largest Supplier of Electrical and Electronic Components

*Click to view similar products for [RF Connectors / Coaxial Connectors](#) category:*

*Click to view products by [Radiall](#) manufacturer:*

Other Similar products are found below :

[8915-1511-000](#) [89674-0827](#) [6001-7071-019](#) [6002-7051-003](#) [6002-7551-202](#) [6059674-1](#) [619550-1](#) [630059-000](#) [M39030/3-01N](#) [6500-7071-046](#) [6769](#) [CX050L2AQ](#) [7002-1541-010](#) [7002-1542-011](#) [7004-1512-000](#) [7009-1511-004](#) [7010-1511-000](#) [7029-1511-060](#) [7101-1541-010](#) [7101-1571-002](#) [7145-1521-002](#) [7203-1571-003](#) [7209-1511-011](#) [7210-1511-015](#) [7210-1511-019](#) [73137-5015](#) [73216-2241](#) [73404-2300](#) [7405-1521-005](#) [7405-1521-802](#) [8527](#) [8547](#) [FS11V](#) [877931](#) [8808-1511-001](#) [9049-9513-000](#) [9074-9513-000](#) [9101-9573-002](#) [910A205F](#) [9130-9573-002](#) [PL11SC-026](#) [PL375-33](#) [PL40-5](#) [PL74C-221](#) [PL75MC-217](#) [PL803-7](#) [980-8666-005](#) [1200690078](#) [1-201144-1](#) [R107003010W](#)