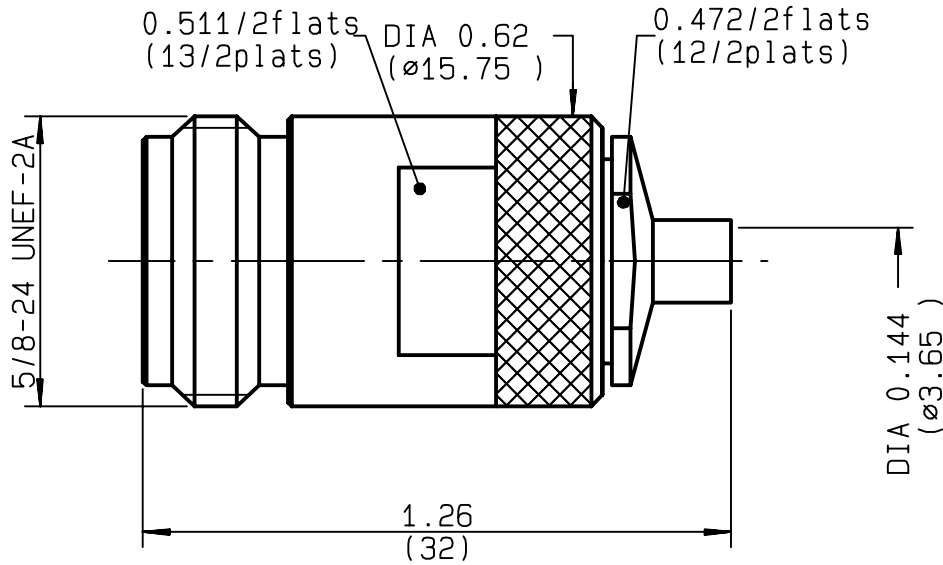


**STRAIGHT JACK SOLDER TYPE
CABLE .141**

R161.226.020
SERIES N



NOMINAL IMPEDANCE	50 Ω	CABLES : BELN 1673A HC80000-3 KS 2 RG 402 SUCOFORM 141
FREQUENCY RANGE	0-11 GHz	
TEMPERATURE RATING	-55/+105 °C	
V.S.W.R	1.15 + x F(GHz)Maxi	
RF INSERTION LOSS	0.048 √F(GHz) dB Maxi	
VOLTAGE RATING	335 Veff Maxi	
DIELECTRIC WITHSTANDING VOLTAGE	1000 Veff Mini	
INSULATION RESISTANCE	5000 MΩMini	
HERMETIC SEAL	NA Atm.cm ³ /s	
LEAKAGE (pressurized only)	NA	
MECHANICAL DURABILITY	500 Cycles	OTHERS CHARACTERISTICS
WEIGHT	35 gr	CABLE RETENTION 500 N Mini
SPECIFICATION		CENTER CONTACT RETENTION
		Axial force - mating end NA N Mini
		Axial force - opposite end NA N Mini
		Torque NA cm.N Mini
		RECOMMENDED TORQUES
		Mating 150 cm.N
		Panel nut NA cm.N
		Clamp nut 150 cm.N

CONNECTOR PARTS	MATERIALS	FINISH	(all values are given) in micrometers
BODY	BRASS	BBR 2	
OUTER CONTACT			
CENTER CONTACT	BERYLLIUM COPPER	GOLD 0.5 OVER NICKEL 2	
INSULATOR	PTFE	-	
GASKET		-	
OTHERS PIECES	BRASS	GOLD 0.2 OVER NICKEL 2	

ISSUE 9820A00	CREATION DATE 07/04/1997	FILE PART-NUMBER EPC 96-07
-------------------------	------------------------------------	--------------------------------------



QUERIN

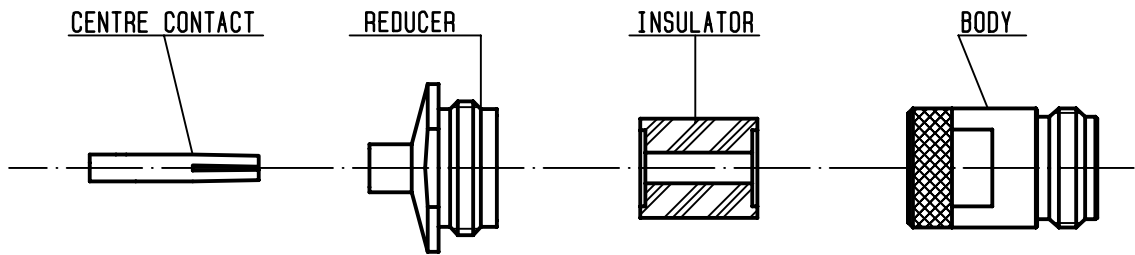
The information given here is subject to change without notice.
Design changes may be in order to improve the product .

Connect to the future



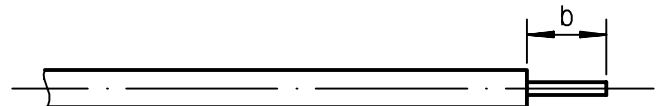
R161.226.020

ISSUE **9820A00** SERIES **N**



①

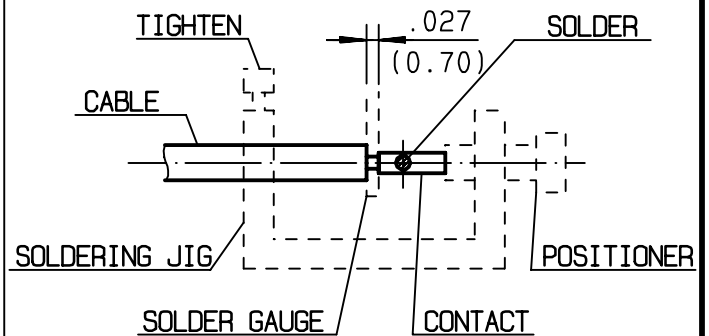
Take the tool kit : R 282 125 010 .
Strip the dielectric of the cable .
Stripping tool cable : R 282 053 .
Trimmer : R 282 066 010 .
Clean the cable .



Stripping	a	b	c	d	e
inch	0	0.177 0	0	0	0
mm		4.5			

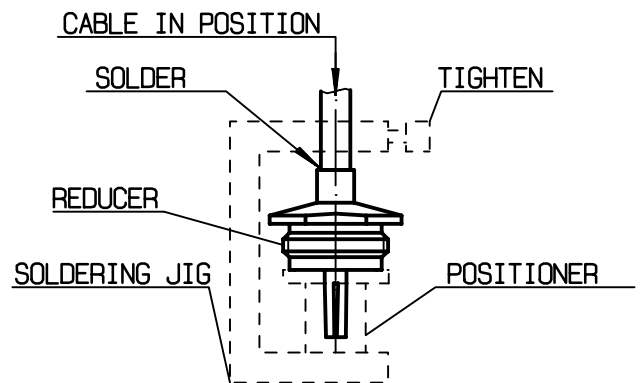
②

Screw the positioner R282 744 260 onto the soldering jig R 282 740 030 .
Slide contact into positioner .
Insert solder gauge R 282 862 090 between contact and cable .
Tighten and solder the contact .



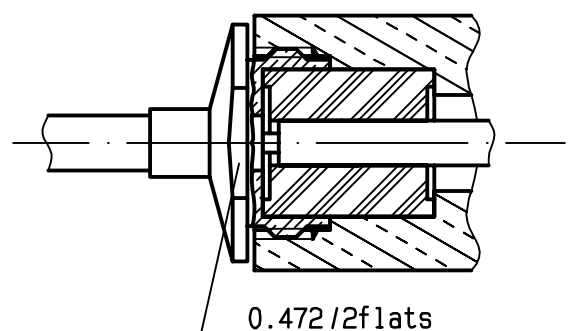
③

After cooling remove cable assembly from the jig .
Put positioner R282 744 310 on the soldering jig .
Slide cable into the reducer until it bottoms against positioner R282 744 310 .
Tighten .
Put 3 rings of solder around the cable and solder .



④

After cooling remove cable assembly from the jig .
Slide insulator into the centre contact .
Screw sub-assembly into the connector body .
(recommended coupling torque 13.27 in.lb)



X-ON Electronics

Largest Supplier of Electrical and Electronic Components

Click to view similar products for [RF Connectors / Coaxial Connectors](#) category:

Click to view products by [Radiall](#) manufacturer:

Other Similar products are found below :

[8915-1511-000](#) [89674-0827](#) [6001-7071-019](#) [6002-7051-003](#) [6002-7551-202](#) [6059674-1](#) [619550-1](#) [630059-000](#) [M39030/3-01N](#) [6500-7071-046](#) [6769](#) [CX050L2AQ](#) [7002-1541-010](#) [7002-1542-011](#) [7004-1512-000](#) [7009-1511-004](#) [7010-1511-000](#) [7029-1511-060](#) [7101-1541-010](#) [7101-1571-002](#) [7145-1521-002](#) [7203-1571-003](#) [7209-1511-011](#) [7210-1511-015](#) [7210-1511-019](#) [73137-5015](#) [73216-2241](#) [73404-2300](#) [7405-1521-005](#) [7405-1521-802](#) [8527](#) [8547](#) [FS11V](#) [877931](#) [8808-1511-001](#) [9074-9513-000](#) [9101-9573-002](#) [910A205F](#) [9130-9573-002](#) [PL11SC-026](#) [PL375-33](#) [PL40-5](#) [PL74C-221](#) [PL75MC-217](#) [PL803-7](#) [1200690078](#) [1-201144-1](#) [R107003010W](#) [R110A172100](#) [R112186000](#)