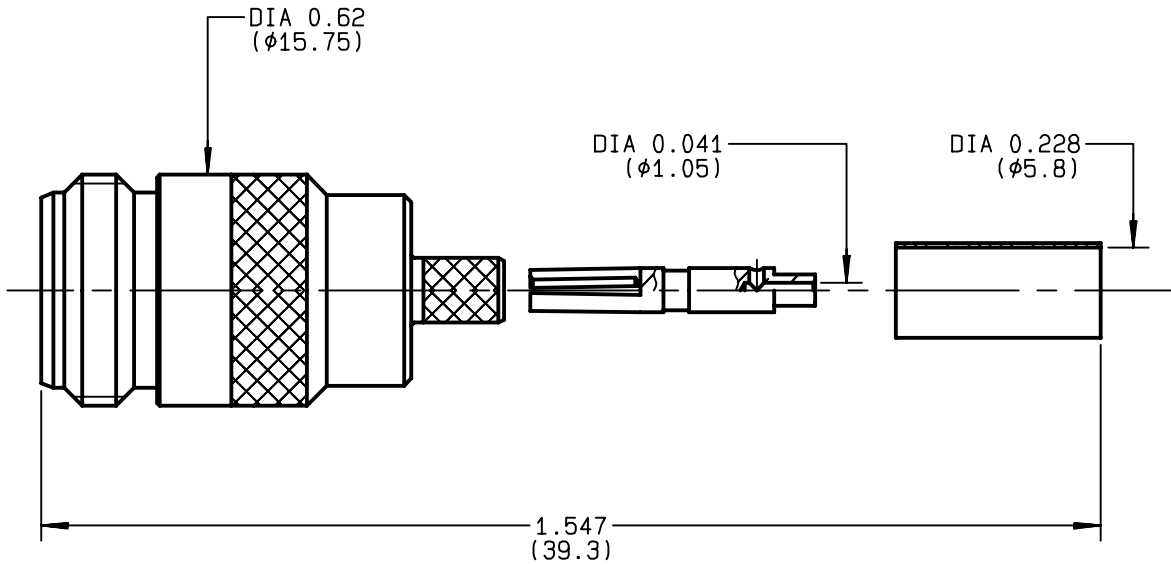


**STRAIGHT JACK FULL CRIMP-TYPE
CABLE 5/50 D**

R161.238.000
SERIES N



NOMINAL IMPEDANCE	50 Ω	CABLES : KX 23 RG 142 RG 142 FTX RG 223 RG 400
FREQUENCY RANGE	0-11 GHz	
TEMPERATURE RATING	-55/+155 °C	
V.S.W.R	1.30 + x F(GHz)Maxi	
RF INSERTION LOSS	0.048 √F(GHz) dB Maxi	
VOLTAGE RATING	850 Veff Maxi	
DIELECTRIC WITHSTANDING VOLTAGE	1500 Veff Mini	
INSULATION RESISTANCE	5000 MΩMini	
HERMETIC SEAL	NA Atm.cm ³ /s	
LEAKAGE (pressurized only)	NA	
MECHANICAL DURABILITY	500 Cycles	OTHERS CHARACTERISTICS
WEIGHT	25.6 gr	CABLE RETENTION 200 N Mini
SPECIFICATION		CENTER CONTACT RETENTION
		Axial force - mating end 27 N Mini
		Axial force - opposite end 27 N Mini
		Torque NA cm.N Mini
		RECOMMENDED TORQUES
		Mating NA cm.N
		Panel nut NA cm.N
		Clamp nut NA cm.N

CONNECTOR PARTS	MATERIALS	FINISH	(all values are given) in micrometers
BODY	BRASS	BBR 2	
OUTER CONTACT	BRASS	BBR 2	
CENTER CONTACT	BERYLLIUM COPPER	GOLD 0.5 OVER NICKEL 2	
INSULATOR	PTFE	-	
GASKET	-	-	
OTHERS PIECES	BRASS	BBR 2	

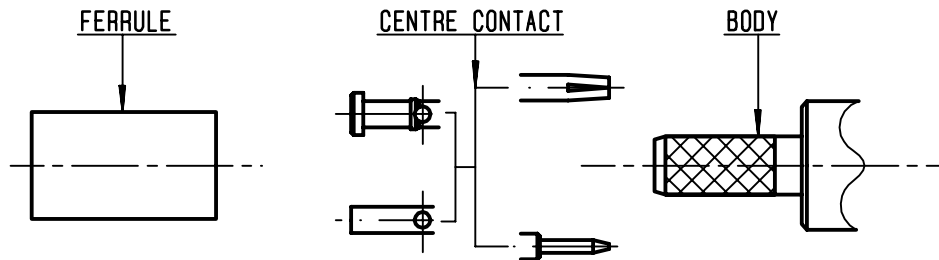
BONOMINI	ISSUE	CREATION DATE	FILE PART-NUMBER	
	9731C01	21/07/1993	EPC 96-07	

The information given here is subject to change without notice.
Design changes may be in order to improve the product .



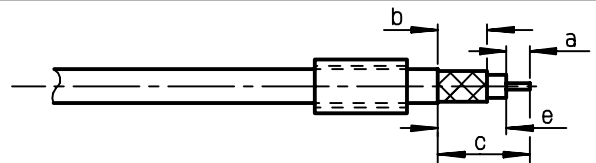
R161.238.000

ISSUE **9731C01** SERIES **N**



①

Slide onto the cable the ferrule
Strip the cable .
-
-

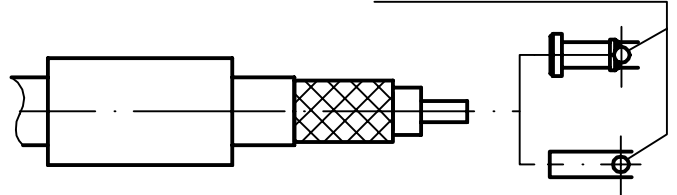


Stripping	a	b	c	d	e
inch	0.177	0.315	0.551	0	0.374
mm	4.5	8	14		9.5

②

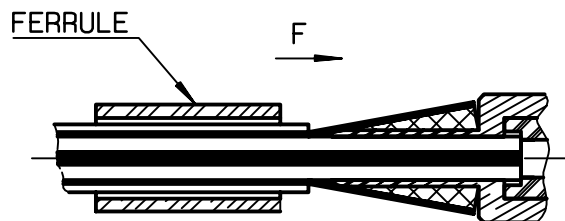
Slide on centre contact until it bottoms against cable dielectrique .
Solder or crimp centre contact .
Crimping tool : R282 223 000 (Hex. : .068)
or R282 293 000 (M22520/5-01)
+ dies R282 235 011 (M22520/5-11) .
-
-
-

SOLDER / CRIMPING



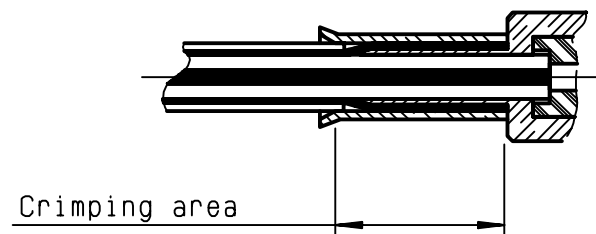
③

Fan the braid .
Slide cable into the body until bottoms against insulator .
Slide ferrule over the braid .
(In direction F)



④

Crimp the ferrule with crimping tool R 282 223 000 (Hex. : .213) or crimping tool R282 293 000 (M22520/5-01)
+ dies R282 235 011 (M22520/5-11)
Cut the excess of braid .
-
-
-
-



X-ON Electronics

Largest Supplier of Electrical and Electronic Components

Click to view similar products for [RF Connectors / Coaxial Connectors](#) category:

Click to view products by [Radiall](#) manufacturer:

Other Similar products are found below :

[8915-1511-000](#) [89674-0827](#) [6001-7071-019](#) [6002-7051-003](#) [6002-7551-202](#) [6059674-1](#) [619550-1](#) [630059-000](#) [M39030/3-01N](#) [6500-7071-046](#) [6769](#) [CX050L2AQ](#) [7002-1541-010](#) [7002-1542-011](#) [7004-1512-000](#) [7009-1511-004](#) [7010-1511-000](#) [7029-1511-060](#) [7101-1541-010](#) [7101-1571-002](#) [7145-1521-002](#) [7203-1571-003](#) [7209-1511-011](#) [7210-1511-015](#) [7210-1511-019](#) [73137-5015](#) [73216-2241](#) [73404-2300](#) [7405-1521-005](#) [7405-1521-802](#) [8527](#) [8547](#) [FS11V](#) [877931](#) [8808-1511-001](#) [9049-9513-000](#) [9074-9513-000](#) [9101-9573-002](#) [910A205F](#) [9130-9573-002](#) [PL11SC-026](#) [PL375-33](#) [PL40-5](#) [PL74C-221](#) [PL75MC-217](#) [PL803-7](#) [980-8666-005](#) [1200690078](#) [1-201144-1](#) [R107003010W](#)