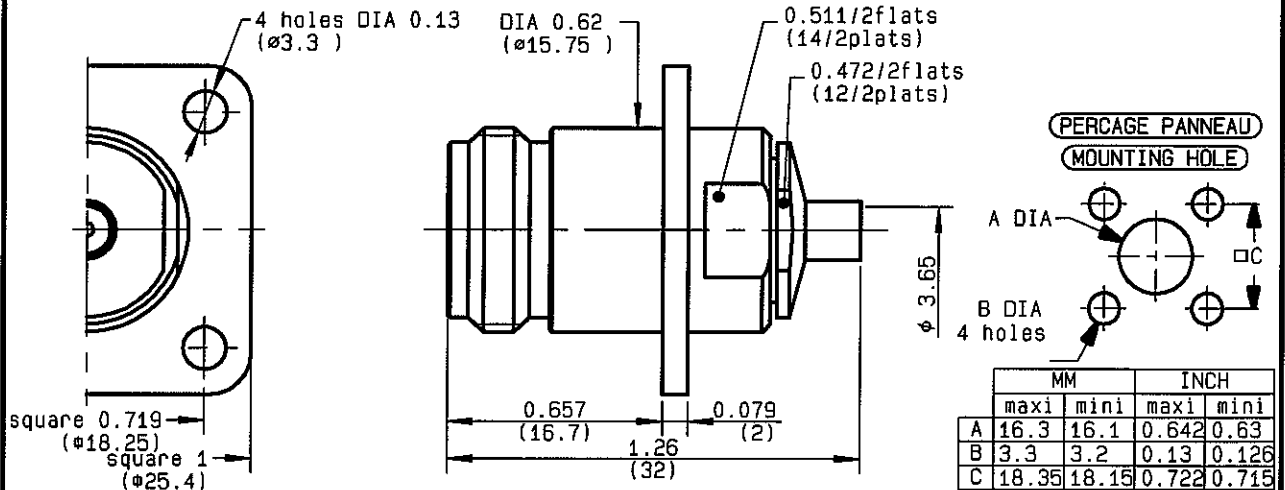


**STRAIGHT SQUARE FLANGE JACK
SOLDER TYPE - CABLE .141**

R161.277.300
SERIES N



NOMINAL IMPEDANCE	50 Ω
FREQUENCY RANGE	0-11 GHz
TEMPERATURE RATING	-55/+105 °C
V.S.W.R	1.15 + x F(GHz)Maxi
RF INSERTION LOSS	0.048 √F(GHz) dB Maxi
VOLTAGE RATING	335 Veff Maxi
DIELECTRIC WITHSTANDING VOLTAGE	1000 Veff Mini
INSULATION RESISTANCE	5000 MΩMini
HERMETIC SEAL	NA Atm.cm ³ /s
LEAKAGE (pressurized only)	NA
MECHANICAL DURABILITY	500 Cycles
WEIGHT	36.32 gr
SPECIFICATION	

CABLES : **BELN 1673A**
HC80000-3
KS 2
RG 402
SUCOFORM 141

OTHERS CHARACTERISTICS

CABLE RETENTION	500 N Mini
CENTER CONTACT RETENTION	
Axial force - mating end	NA N Mini
Axial force - opposite end	NA N Mini
Torque	NA cm.N Mini
RECOMMENDED TORQUES	
Mating	NA cm.N
Panel nut	NA cm.N
Clamp nut	150 cm.N

CONNECTOR PARTS	MATERIALS	FINISH	(all values are given in micrometers)
BODY	BRASS	BBR 2	
OUTER CONTACT			
CENTER CONTACT	BERYLLIUM COPPER	GOLD 0.5 OVER NICKEL 2	
INSULATOR	PTFE	-	
GASKET		-	
OTHERS PIECES	BRASS	GOLD 0.2 OVER NICKEL 2	

ISSUE **0523A00** CREATION DATE **09/04/1997** FILE PART-NUMBER **EPC 96-07**



QUERIN

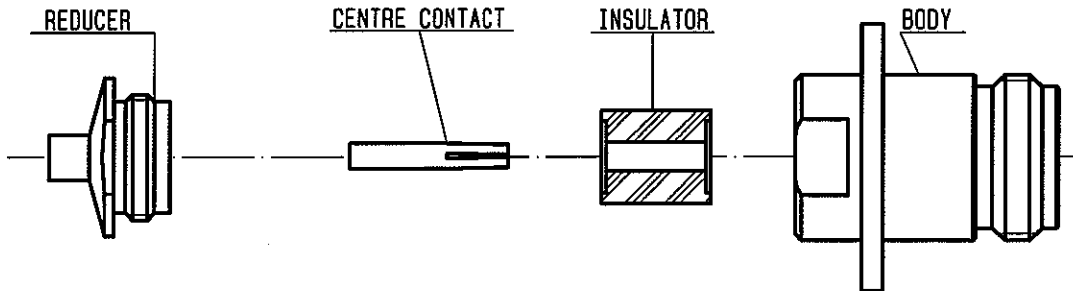
The information given here is subject to change without notice.
Design changes may be in order to improve the product.

Connect to the future



R161.277.300

ISSUE 0523 A00 SERIES N



①

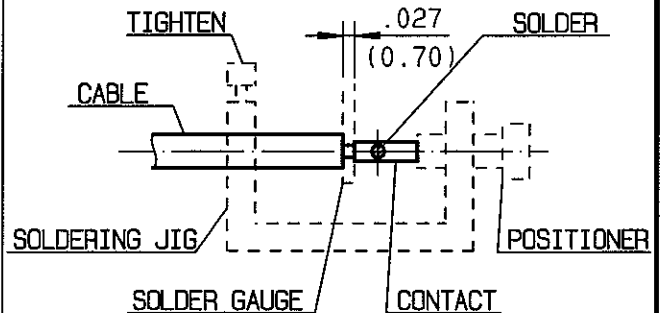
Take the tool kit : R 282 125 010 .
Strip the dielectric of the cable .
Stripping tool cable : R 282 053 .
Trimmer : R 282 066 010 .
Clean the cable .
-



Stripping	a	b	c	d	e
inch	0	0.177	0	0	0
mm		4.5			

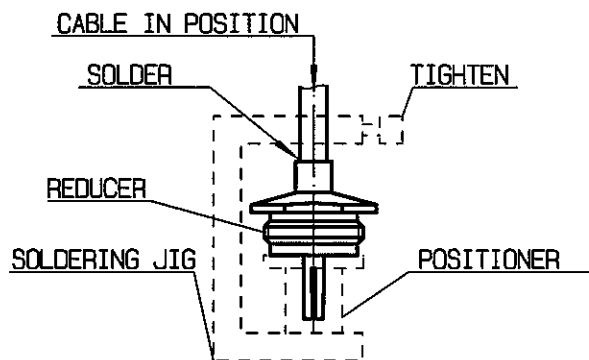
②

Screw the positioner R282 744 260 onto the soldering jig R 282 740 030 .
Slide contact into positioner .
Insert solder gauge R 282 862 090 between contact and cable .
Tighten and solder the contact .



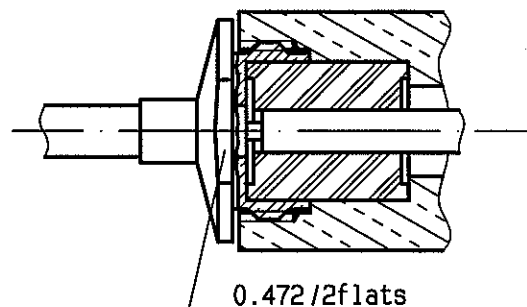
③

After cooling remove cable assembly from the jig .
Put positioner R282 744 310 on the soldering jig .
Slide cable into the reducer until it bottoms against positioner R282 744 310 .
Tighten .
Put 3 rings of solder around the cable and solder .



④

After cooling remove cable assembly from the jig .
Slide insulator into the centre contact .
Screw sub-assembly into the connector body .
(recommended coupling torque 13.27 in.lb)



QUERIN

X-ON Electronics

Largest Supplier of Electrical and Electronic Components

Click to view similar products for [RF Connectors / Coaxial Connectors](#) category:

Click to view products by [Radiall](#) manufacturer:

Other Similar products are found below :

[8915-1511-000](#) [89674-0827](#) [6001-7071-019](#) [6002-7051-003](#) [6002-7551-202](#) [6059674-1](#) [619550-1](#) [630059-000](#) [M39030/3-01N](#) [6500-7071-046](#) [6769](#) [CX050L2AQ](#) [7002-1541-010](#) [7002-1542-011](#) [7004-1512-000](#) [7009-1511-004](#) [7010-1511-000](#) [7029-1511-060](#) [7101-1541-010](#) [7101-1571-002](#) [7145-1521-002](#) [7203-1571-003](#) [7209-1511-011](#) [7210-1511-015](#) [7210-1511-019](#) [73137-5015](#) [73216-2241](#) [73404-2300](#) [7405-1521-005](#) [7405-1521-802](#) [8527](#) [8547](#) [FS11V](#) [877931](#) [8808-1511-001](#) [9049-9513-000](#) [9074-9513-000](#) [9101-9573-002](#) [910A205F](#) [9130-9573-002](#) [PL11SC-026](#) [PL375-33](#) [PL40-5](#) [PL74C-221](#) [PL75MC-217](#) [PL803-7](#) [1200690078](#) [1-201144-1](#) [R107003010W](#) [R110A172100](#)