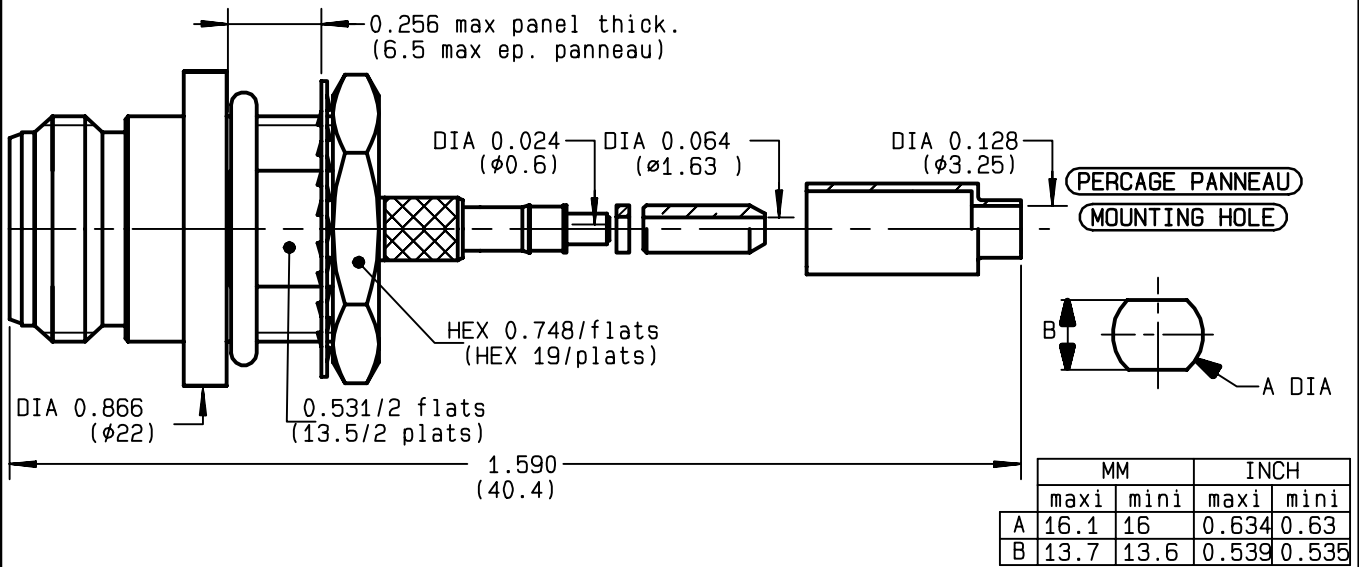


**STRAIGHT BULKHEAD JACK PANEL SEAL
FULL CRIMP-TYPE - CABLE 2.6/50 S+D**

R161.311.200
SERIES N



NOMINAL IMPEDANCE	50	Ω
FREQUENCY RANGE	0-11	GHz
TEMPERATURE RATING	-55/+155	°C
V.S.W.R	1.40 +	x F(GHz)Maxi
RF INSERTION LOSS	0.048	√F(GHz) dB Maxi
VOLTAGE RATING	250	Veff Maxi
DIELECTRIC WITHSTANDING VOLTAGE	750	Veff Mini
INSULATION RESISTANCE	5000	MΩMini
HERMETIC SEAL	NA	Atm.cm ³ /s
LEAKAGE (pressurized only)	IP 67	
MECHANICAL DURABILITY	500	Cycles
WEIGHT	36	gr
SPECIFICATION		

CABLES : **K02252D**
KX 22A
RD 316
RG 188
RG 316

OTHERS CHARACTERISTICS

CABLE RETENTION	40	N Mini
CENTER CONTACT RETENTION		
Axial force - mating end	68	N Mini
Axial force - opposite end	68	N Mini
Torque	NA	cm.N Mini
RECOMMENDED TORQUES		
Mating	NA	cm.N
Panel nut	500	cm.N
Clamp nut	NA	cm.N

CONNECTOR PARTS	MATERIALS	FINISH	(all values are given in micrometers)
BODY	BRASS	BBR 2	
OUTER CONTACT	BRASS	BBR 2	
CENTER CONTACT	BERYLLIUM COPPER	GOLD 0.5 OVER NICKEL 2	
INSULATOR	PTFE	-	
GASKET	SILICONE RUBBER	-	
OTHERS PIECES	BRASS	BBR 2	

ISSUE	CREATION DATE	FILE PART-NUMBER
0012B00	05/03/1997	EPC 96-07



GONZALES

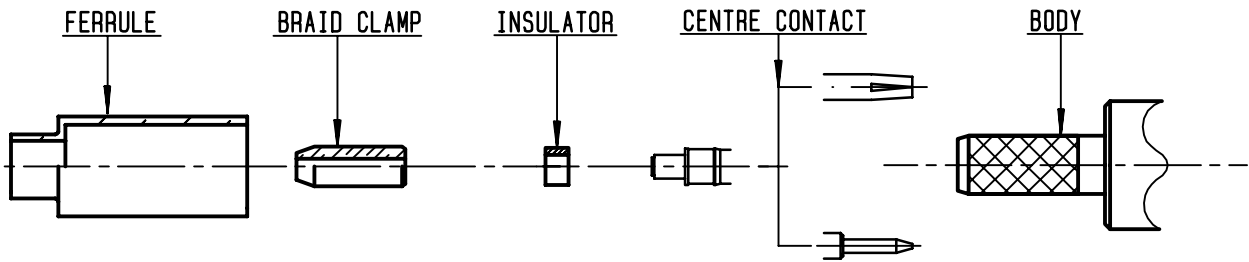
The information given here is subject to change without notice.
Design changes may be in order to improve the product .

Connect to the future



R161.311.200

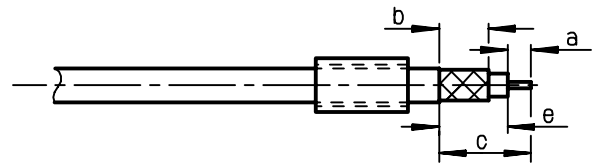
ISSUE **0012B00** SERIES **N**



①

Slide onto the cable the ferrule
Strip the cable .

-
-



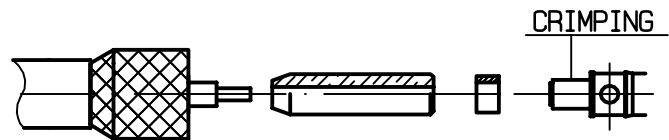
Stripping	a	b	c	d	e
inch	0.177	0.315	0.551	0	0.374
mm	4.5	8	14		9.5

②

Fan the braid .
Slide the braid clamp and insulator
between the dielectrique and the braid .
Slide on centre contact until it
bottoms against cable dielectrique .

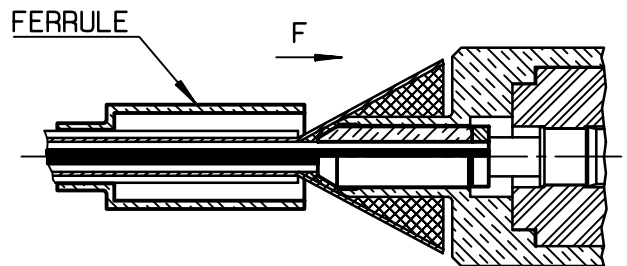
Crimp centre contact .

Crimping tool : R282 223 000 (Hex. : 0.068)
or crimping tool R282 293 000 (M22520/5-01)
+ dies R282 235 011 (M22520/5-11)



③

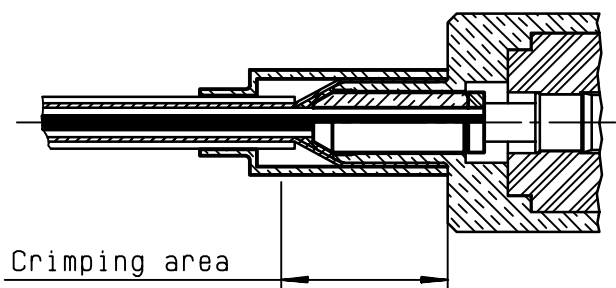
Slide cable dielectric into the body
while gently grinding the braid over the knurl
Push until the dielectric clicks into
position .
Slide ferrule over braid in direction F .



④

Crimp the ferrule with crimping tool
R 282 223 000 (Hex. : 0.213) or
crimping tool R282 293 000 (M22520/5-01)
+ dies R282 235 011 (M22520/5-11)
Cut the excess of braid .

-
-



X-ON Electronics

Largest Supplier of Electrical and Electronic Components

Click to view similar products for [RF Connectors / Coaxial Connectors](#) category:

Click to view products by [Radiall](#) manufacturer:

Other Similar products are found below :

[8915-1511-000](#) [89674-0827](#) [6001-7071-019](#) [6002-7051-003](#) [6002-7551-202](#) [6059674-1](#) [619550-1](#) [630059-000](#) [M39030/3-01N](#) [6500-7071-046](#) [6769](#) [CX050L2AQ](#) [7002-1541-010](#) [7002-1542-011](#) [7004-1512-000](#) [7009-1511-004](#) [7010-1511-000](#) [7029-1511-060](#) [7101-1541-010](#) [7101-1571-002](#) [7145-1521-002](#) [7203-1571-003](#) [7209-1511-011](#) [7210-1511-015](#) [7210-1511-019](#) [73137-5015](#) [73216-2241](#) [73404-2300](#) [7405-1521-005](#) [7405-1521-802](#) [8527](#) [8547](#) [FS11V](#) [877931](#) [8808-1511-001](#) [9074-9513-000](#) [9101-9573-002](#) [910A205F](#) [9130-9573-002](#) [PL11SC-026](#) [PL375-33](#) [PL40-5](#) [PL74C-221](#) [PL75MC-217](#) [PL803-7](#) [1200690078](#) [1-201144-1](#) [R107003010W](#) [R110A172100](#) [R112186000](#)