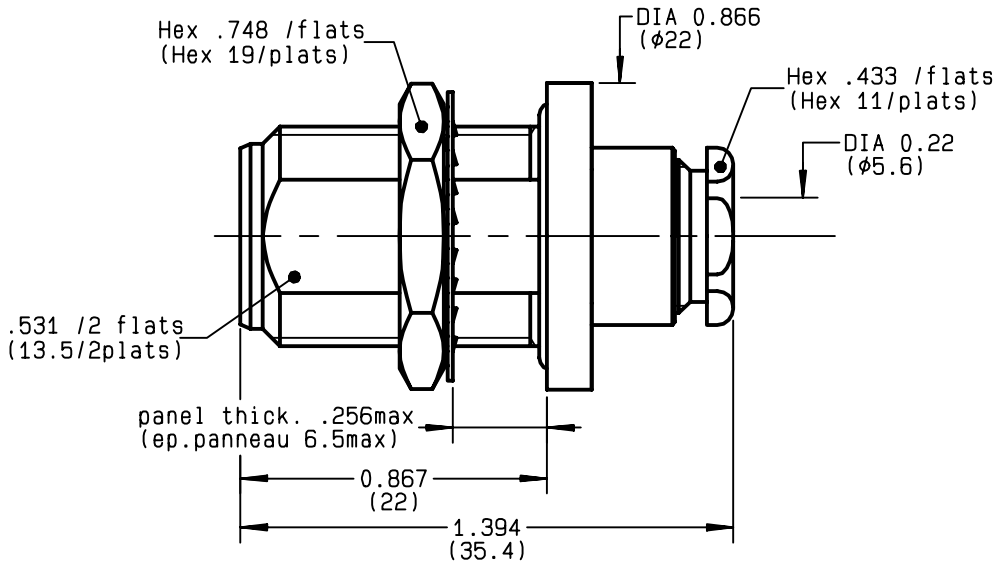


**STRAIGHT BULKHEAD JACK PANEL SEAL  
CLAMP TYPE - CABLE 5/50 S+D**

**R161.325.000**  
**SERIES N**



	MM		INCH	
	maxi	mini	maxi	mini
A	16.1	16	0.634	0.63
B	13.7	13.6	0.539	0.535

NOMINAL IMPEDANCE	<b>50</b>	Ω
FREQUENCY RANGE	<b>0-11</b>	GHz
TEMPERATURE RATING	<b>-55/+155</b>	°C
V.S.W.R	<b>1.30</b> +	x F(GHz)Maxi
RF INSERTION LOSS	<b>0.048</b>	√F(GHz) dB Maxi
VOLTAGE RATING	<b>850</b>	Veff Maxi
DIELECTRIC WITHSTANDING VOLTAGE	<b>1500</b>	Veff Mini
INSULATION RESISTANCE	<b>5000</b>	M ΩMini
HERMETIC SEAL	<b>NA</b>	Atm.cm <sup>3</sup> /s
LEAKAGE (pressurized only)	<b>IP 67</b>	
MECHANICAL DURABILITY	<b>500</b>	Cycles
WEIGHT	<b>39</b>	gr
SPECIFICATION		

- CABLES : **KX 15**  
**KX 23**  
**RG 141**  
**RG 142**  
**RG 142 FTX**  
**RG 223**  
**RG 400**  
**RG 58**

OTHERS CHARACTERISTICS

CABLE RETENTION	<b>150</b>	N Mini
CENTER CONTACT RETENTION		
Axial force - mating end	<b>27</b>	N Mini
Axial force - opposite end	<b>27</b>	N Mini
Torque	<b>NA</b>	cm.N Mini
RECOMMENDED TORQUES		
Mating	<b>NA</b>	cm.N
Panel nut	<b>500</b>	cm.N
Clamp nut	<b>450</b>	cm.N

CONNECTOR PARTS	MATERIALS	FINISH	(all values are given in micrometers)
BODY	BRASS	BBR 2	
OUTER CONTACT	BRASS	BBR 2	
CENTER CONTACT	BERYLLIUM COPPER	GOLD 0.5 OVER NICKEL 2	
INSULATOR	PTFE	-	
GASKET	SILICONE RUBBER	-	
OTHERS PIECES	BRASS	BBR 2	

ISSUE	CREATION DATE	FILE PART-NUMBER
<b>9734R02</b>	<b>03/02/1993</b>	<b>EPC 96-07</b>



BONMINI

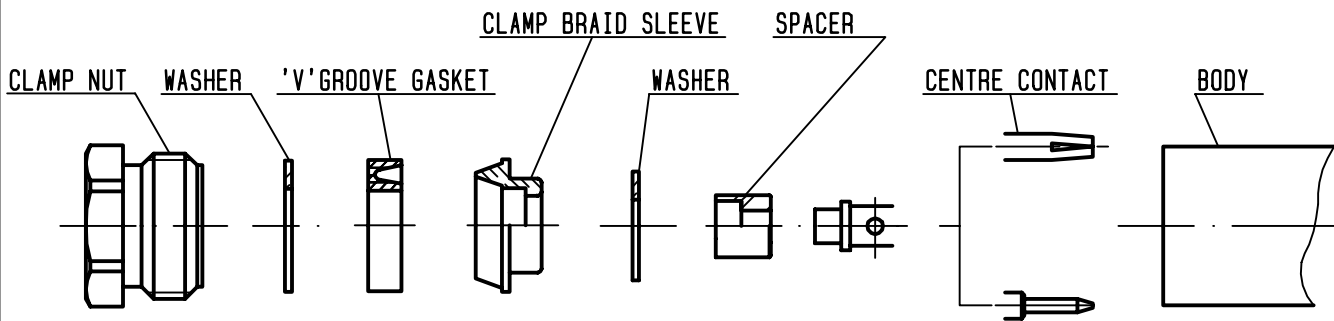
The information given here is subject to change without notice.  
Design changes may be in order to improve the product .

*Connect to the future*



**R161.325.000**

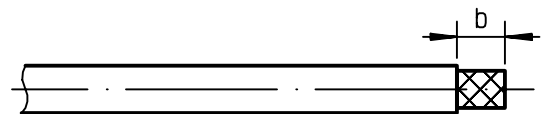
ISSUE 9734R02 SERIES N



①

Strip the cable .

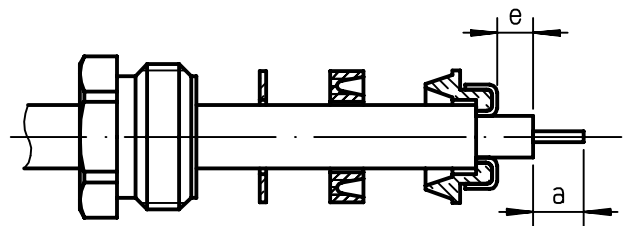
-  
-  
-  
-



Stripping	a	b	c	d	e
inch	0.157	0.295	0	0	0.039
mm	4	7.5			1

②

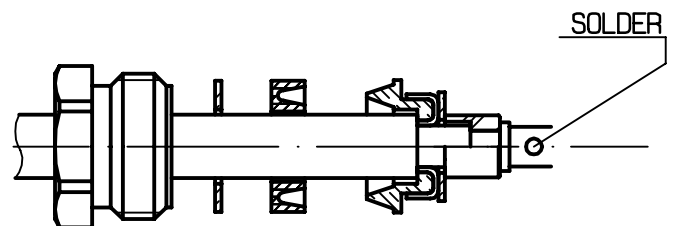
Slide the clamp nut , the washer and the 'V'groove gasket onto the cable .  
Slide clamp braid sleeve over braid .  
Fold back braid and trim off surplus braid .  
Trim back dielectric as shown .



③

Slide the washer and the spacer onto the dielectric .  
Solder the cable inner conductor into centre contact .

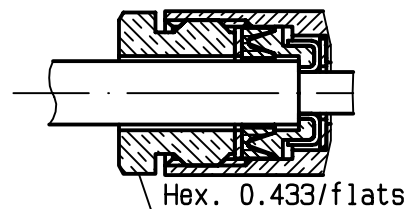
-



④

Screw sub-assembly into the connector body .  
( recommended coupling torque 39.83 in.lb )

-  
-



## X-ON Electronics

Largest Supplier of Electrical and Electronic Components

*Click to view similar products for [RF Connectors / Coaxial Connectors](#) category:*

*Click to view products by [Radiall](#) manufacturer:*

Other Similar products are found below :

[8915-1511-000](#) [89674-0827](#) [6001-7071-019](#) [6002-7051-003](#) [6002-7551-202](#) [6059674-1](#) [619550-1](#) [630059-000](#) [M39030/3-01N](#) [6500-7071-046](#) [6769](#) [CX050L2AQ](#) [7002-1541-010](#) [7002-1542-011](#) [7004-1512-000](#) [7009-1511-004](#) [7010-1511-000](#) [7029-1511-060](#) [7101-1541-010](#) [7101-1571-002](#) [7145-1521-002](#) [7203-1571-003](#) [7209-1511-011](#) [7210-1511-015](#) [7210-1511-019](#) [73137-5015](#) [73216-2241](#) [73404-2300](#) [7405-1521-005](#) [7405-1521-802](#) [8527](#) [8547](#) [FS11V](#) [877931](#) [8808-1511-001](#) [9074-9513-000](#) [9101-9573-002](#) [910A205F](#) [9130-9573-002](#) [PL11SC-026](#) [PL375-33](#) [PL40-5](#) [PL74C-221](#) [PL75MC-217](#) [PL803-7](#) [1200690078](#) [1-201144-1](#) [R107003010W](#) [R110A172100](#) [R112186000](#)