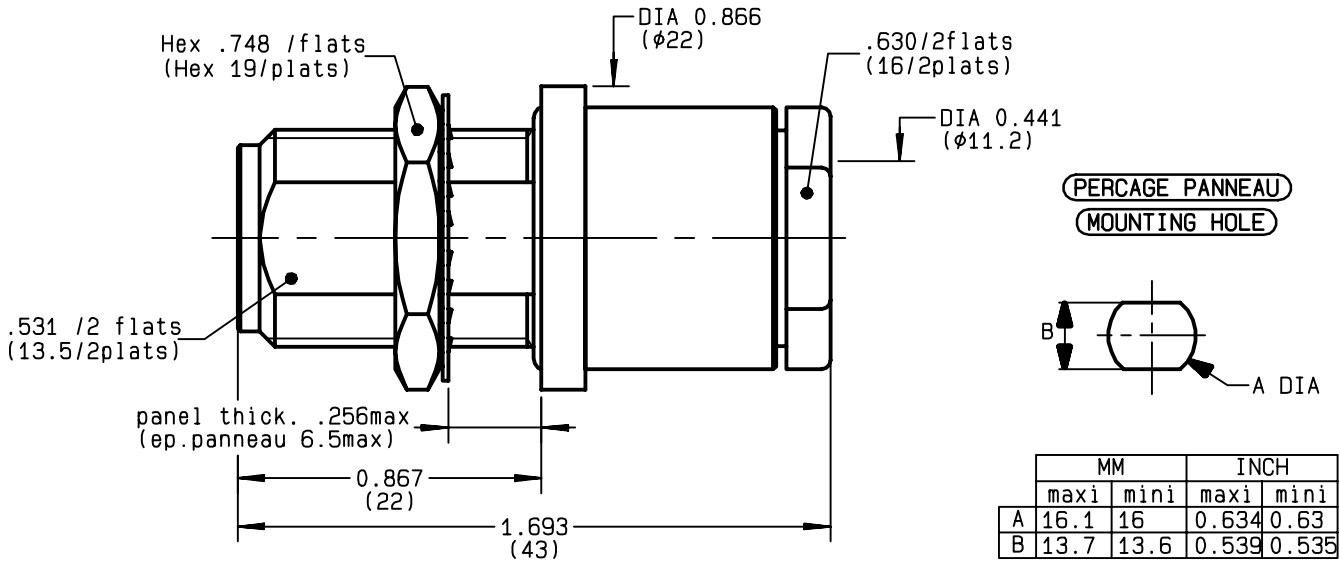


**STRAIGHT BULKHEAD JACK PANEL SEAL
CLAMP TYPE - CABLE 10+11/50+75 S+D**

R161.332.000
SERIES N



NOMINAL IMPEDANCE	50	Ω
FREQUENCY RANGE	0-11	GHz
TEMPERATURE RATING	-55/+155	$^{\circ}C$
V.S.W.R	1.30 +	x F(GHz)Maxi
RF INSERTION LOSS	0.048	\sqrt{F} (GHz) dB Maxi
VOLTAGE RATING	1400	Veff Maxi
DIELECTRIC WITHSTANDING VOLTAGE	2500	Veff Mini
INSULATION RESISTANCE	5000	M Ω Mini
HERMETIC SEAL	NA	Atm.cm ³ /s
LEAKAGE (pressurized only)	IP 67	
MECHANICAL DURABILITY	500	Cycles
WEIGHT	54.5	gr
SPECIFICATION		

CABLES :	KX 4	
	KX 8	
	RG 11	
	RG 144	
	RG 165	
	RG 213	
	RG 214	
	RG 216	
	RG 225	
	RG 393	
OTHERS CHARACTERISTICS		
CABLE RETENTION	300	N Mini
CENTER CONTACT RETENTION		
Axial force - mating end	NA	N Mini
Axial force - opposite end	NA	N Mini
Torque	NA	cm.N Mini
RECOMMENDED TORQUES		
Mating	NA	cm.N
Panel nut	500	cm.N
Clamp nut	800	cm.N

CONNECTOR PARTS:	MATERIALS	FINISH	(all values are given in micrometers)
BODY	BRASS	BBR 2	
OUTER CONTACT	BRASS	BBR 2	
CENTER CONTACT	BERYLLIUM COPPER	GOLD 0.5 OVER NICKEL 2	
INSULATOR	PTFE	-	
GASKET	SILICONE RUBBER	-	
OTHERS PIECES	BRASS	BBR 2	

BONMINI

ISSUE	CREATION DATE	FILE PART-NUMBER
9726R04	09/11/1992	



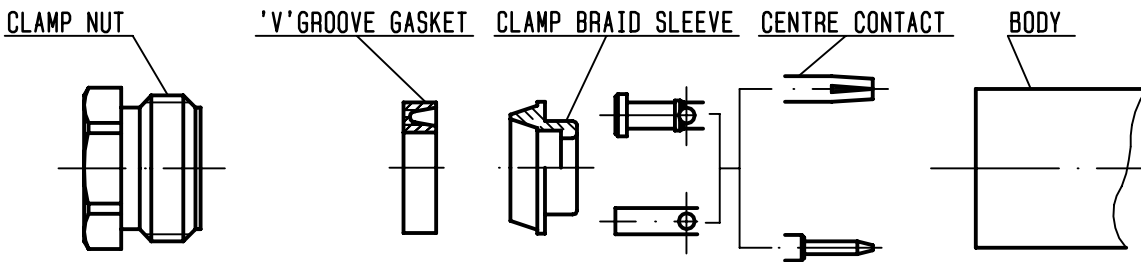
The information given here is subject to change without notice.
Design changes may be in order to improve the product .

Connect to the future



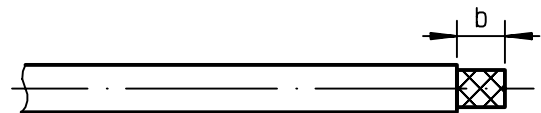
R161.332.000

ISSUE **9726R04** SERIES **N**



①

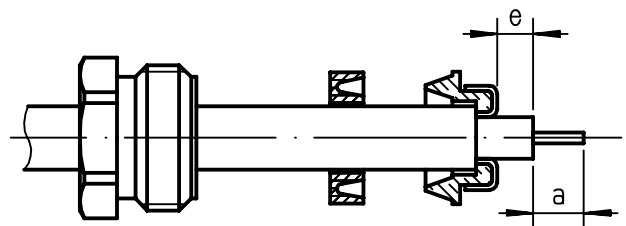
Strip the cable .
-
-
-



Stripping	a	b	c	d	e
inch	0.197	0.335	0	0	0.059
mm	5	8.5			1.5

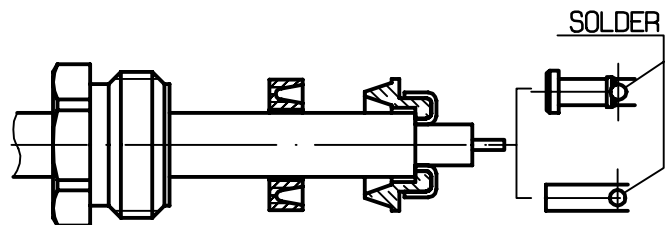
②

Slide the clamp nut and the 'V' groove gasket onto the cable .
Slide clamp braid sleeve over braid .
Fold back braid and trim off surplus braid .
Trim back dielectric as shown .
-



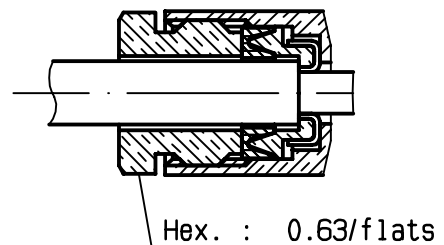
③

Solder the cable inner conductor into centre contact .
-
-
-



④

Screw sub-assembly into the connector body .
(recommended coupling torque 70.8 in.lb)
-
-



X-ON Electronics

Largest Supplier of Electrical and Electronic Components

Click to view similar products for [RF Connectors / Coaxial Connectors](#) category:

Click to view products by [Radiall](#) manufacturer:

Other Similar products are found below :

[8915-1511-000](#) [89674-0827](#) [6001-7071-019](#) [6002-7051-003](#) [6002-7551-202](#) [6059674-1](#) [619550-1](#) [630059-000](#) [M39030/3-01N](#) [6500-7071-046](#) [6769](#) [CX050L2AQ](#) [7002-1541-010](#) [7002-1542-011](#) [7004-1512-000](#) [7009-1511-004](#) [7010-1511-000](#) [7029-1511-060](#) [7101-1541-010](#) [7101-1571-002](#) [7145-1521-002](#) [7203-1571-003](#) [7209-1511-011](#) [7210-1511-015](#) [7210-1511-019](#) [73137-5015](#) [73216-2241](#) [73404-2300](#) [7405-1521-005](#) [7405-1521-802](#) [8527](#) [8547](#) [FS11V](#) [877931](#) [8808-1511-001](#) [9049-9513-000](#) [9074-9513-000](#) [9101-9573-002](#) [910A205F](#) [9130-9573-002](#) [PL11SC-026](#) [PL375-33](#) [PL40-5](#) [PL74C-221](#) [PL75MC-217](#) [PL803-7](#) [980-8666-005](#) [1200690078](#) [1-201144-1](#) [R107003010W](#)