

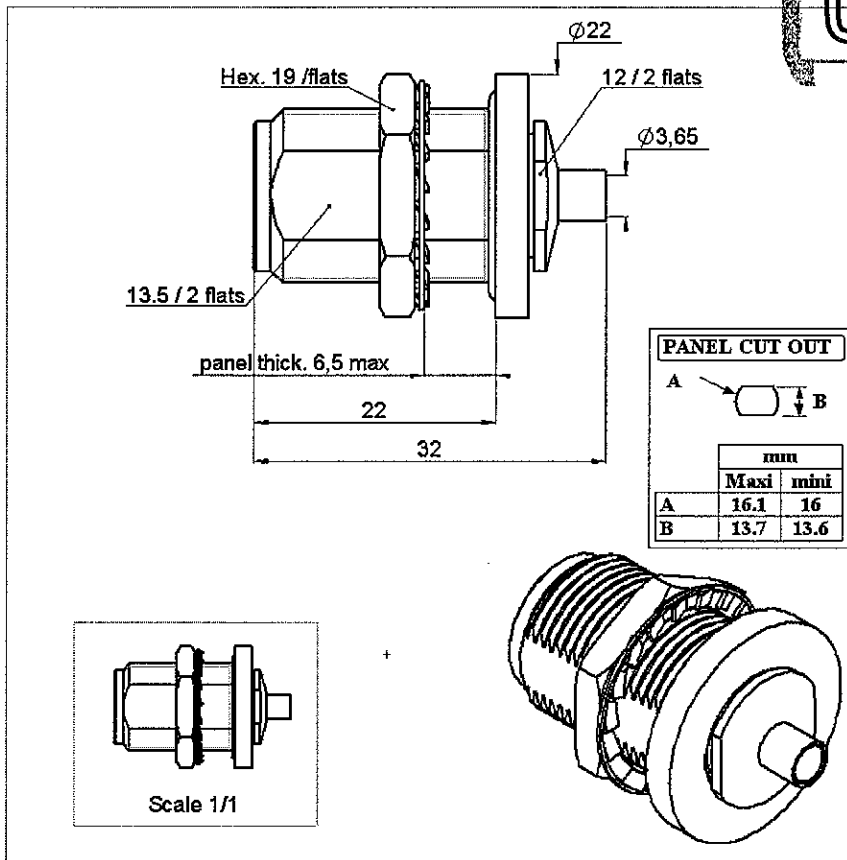
**STRAIGHT BULKHEAD JACK PANEL SEAL**

**R161.336.000**

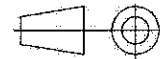
**SOLDER TYPE - CABLE .141**

Series : N

**ORIGINAL**



All dimensions are in mm.



COMPONENTS	MATERIALS	PLATINGS (µm)
BODY	BRASS	BBR 2
CENTER CONTACT	BERYLLIUM COPPER	GOLD 0.5 OVER NICKEL 2
OUTER CONTACT	-	-
INSULATOR	PTFE	-
GASKET	SILICONE RUBBER	-
OTHERS PARTS	BRASS	BBR 2
-	-	-
-	-	-

Issue : 0519 G

In the effort to improve our products, we reserve the right to make changes judged to be necessary.



**STRAIGHT BULKHEAD JACK PANEL SEAL**

**R161.336.000**

**SOLDER TYPE - CABLE .141**

Series : N

**PACKAGING**

Standard	Unit	Other
50	'W' option	Contact us



**ELECTRICAL CHARACTERISTICS**

Impedance		<b>50</b> Ω
Frequency		<b>0-11</b> GHz
VSWR	<b>1.15 +</b>	<b>0.000</b> x F(GHz) Maxi
Insertion loss		<b>0.048</b> √F(GHz) dB Maxi
RF leakage	- (	<b>101</b> - F(GHz)) dB Maxi
Voltage rating		<b>335</b> Veff Maxi
Dielectric withstanding voltage		<b>1000</b> Veff mini
Insulation resistance		<b>5000</b> MΩ mini

**CABLE ASSEMBLY**

Stripping	a	b	c	d	e	f
mm	4.50	0.00	0.00	0.00	0.00	0.00

Assembly instruction :  
 Recommended cable(s)  
 BELN 1673A  
 RG 402  
 KS 2  
 SUCOFORM 141  
 HC80000-3

Characteristics indicated on this data sheet are those that can be achieved with the highest performance cable. Intrinsic limitations of the cable may diminish the performance of the assembly  
 Cable retention

- pull off **500** N mini  
 - torque **NA** N.cm

**MECHANICAL CHARACTERISTICS**

Center contact retention		
Axial force – Mating end	<b>NA</b>	N mini
Axial force – Opposite end	<b>NA</b>	N mini
Torque	<b>NA</b>	N.cm mini

Recommended torque		
Mating	<b>NA</b>	N.cm
Panel nut	<b>500</b>	N.cm
Clamp nut	<b>150</b>	N.cm
A/F clamp nut	<b>12.000</b>	mm

Mating life	<b>500</b>	Cycles mini
Weight	<b>35.000</b>	g

**TOOLING**

Part Number	Description	Hexagon
.	.	.
R282.114.168	STRIPPING + CONING TOOLBOX	
R282.125.010	TOOLBOX N	
Or spare tools	-	
R282.053.000	STRIPPING TOOL	
R282.744.260	SOLDERING POSITIONER N	
R282.744.310	SOLDERING POSITIONER N	
R282.862.090	CONTROL GAUGE	
R282.066.010	POINTER GAUGE	

**ENVIRONMENTAL**

Operating temperature	<b>-55/+105</b>	° C
Hermetic seal	<b>NA</b>	Atm.cm3/s
Panel leakage	<b>IP 67</b>	

**OTHERS CHARACTERISTICS**

Issue : 0519 G

In the effort to improve our products, we reserve the right to make changes judged to be necessary.



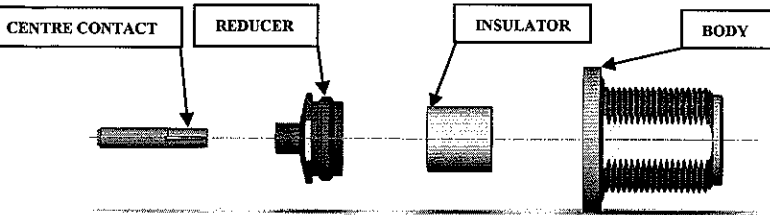
**STRAIGHT BULKHEAD JACK PANEL SEAL**

**R161.336.000**

**SOLDER TYPE - CABLE .141**

Series : N

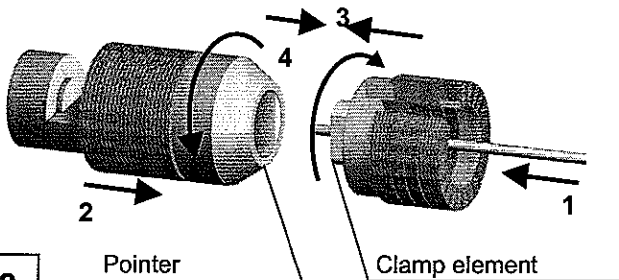
**STRIPPING DIMENSIONS**



We recommend a cable thermal preconditioning before assembly

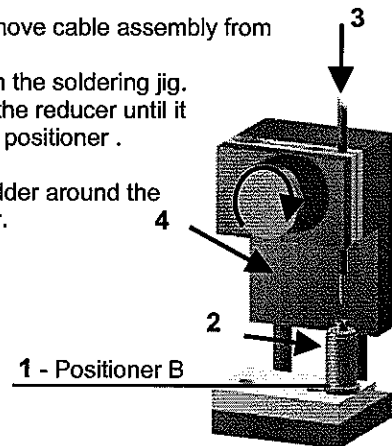
**1**

Insert the cable into the clamp element.  
Present the pointer in front of the clamp element.  
Push the cable until it stops, while holding the clamp element pushed on the hollow part of the pointer.  
Turn the clamp element until the release of the pointer.



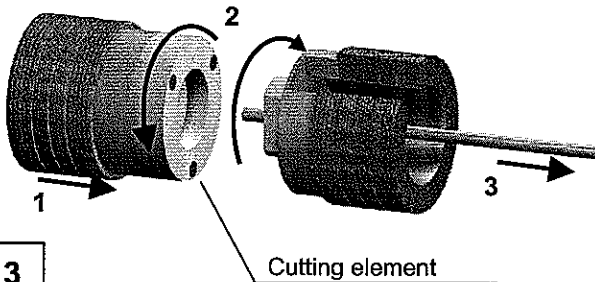
**4**

After cooling remove cable assembly from the jig.  
Put positioner on the soldering jig.  
Slide cable into the reducer until it bottoms against positioner.  
Tighten.  
Put 3 rings of solder around the cable and solder.



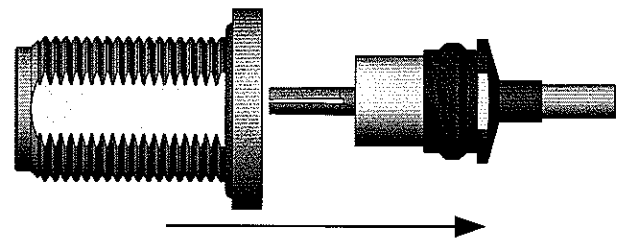
**2**

Present the cutting element in front of the clamp element.  
Push and turn both elements, back part opposite to the front part.  
Once they reach the stop, pull without revolving.



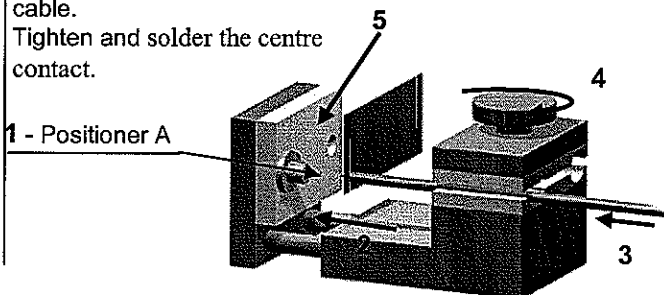
**5**

After cooling, remove the assembly from the jig.  
Slide insulator into the centre contact.  
Screw sub-assembly into the connector body.  
( recommended coupling torque 13.27 in.lb )



**3**

Mount the positioner A.  
Slide the centre contact into the positioner A.  
Insert the solder gauge between the centre contact and the cable.  
Tighten and solder the centre contact.



Issue : 0519 G

In the effort to improve our products, we reserve the right to make changes judged to be necessary.



## X-ON Electronics

Largest Supplier of Electrical and Electronic Components

*Click to view similar products for [RF Connectors / Coaxial Connectors](#) category:*

*Click to view products by [Radiall](#) manufacturer:*

Other Similar products are found below :

[8915-1511-000](#) [89674-0827](#) [6001-7071-019](#) [6002-7051-003](#) [6002-7551-202](#) [6059674-1](#) [619550-1](#) [630059-000](#) [M39030/3-01N](#) [6500-7071-046](#) [6769](#) [CX050L2AQ](#) [7002-1541-010](#) [7002-1542-011](#) [7004-1512-000](#) [7009-1511-004](#) [7010-1511-000](#) [7029-1511-060](#) [7101-1541-010](#) [7101-1571-002](#) [7145-1521-002](#) [7203-1571-003](#) [7209-1511-011](#) [7210-1511-015](#) [7210-1511-019](#) [73137-5015](#) [73216-2241](#) [73404-2300](#) [7405-1521-005](#) [7405-1521-802](#) [8527](#) [8547](#) [FS11V](#) [877931](#) [8808-1511-001](#) [9049-9513-000](#) [9074-9513-000](#) [9101-9573-002](#) [910A205F](#) [9130-9573-002](#) [PL11SC-026](#) [PL375-33](#) [PL40-5](#) [PL74C-221](#) [PL75MC-217](#) [PL803-7](#) [980-8666-005](#) [1200690078](#) [1-201144-1](#) [R107003010W](#)