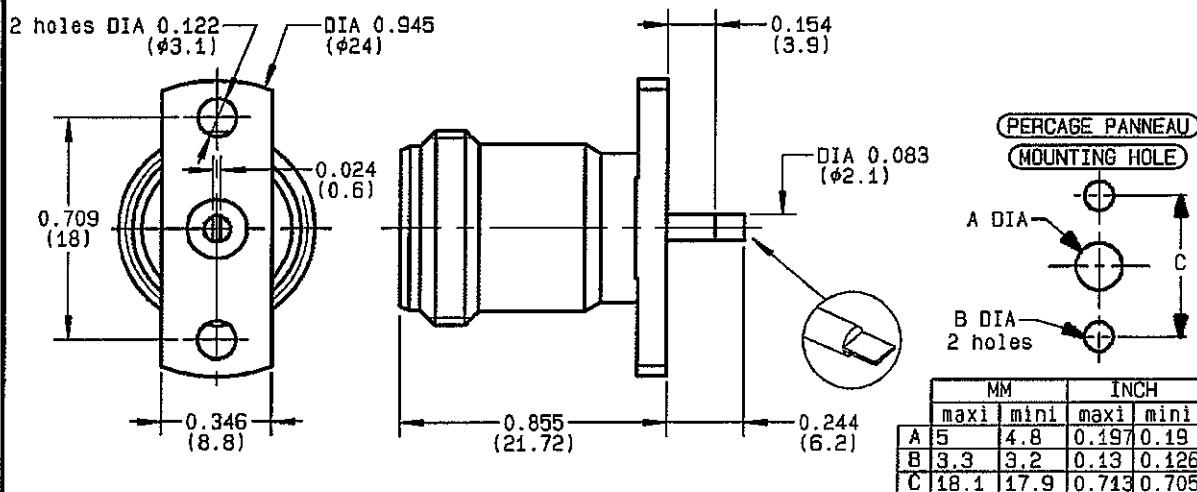


**2 HOLES FLANGE JACK RECEPTACLE
WITH TAB CONTACT**

R161.461.000

SERIES

N



NOMINAL IMPEDANCE	50 Ω
FREQUENCY RANGE	0-11 GHz
TEMPERATURE RATING	-55/+155 °C
V.S.W.R	1.04 + 0.035 x F(GHz)Maxi
RF INSERTION LOSS	0.06 √F(GHz) dB Maxi
VOLTAGE RATING	1400 Veff Maxi
DIELECTRIC WITHSTANDING VOLTAGE	2500 Veff Mini
INSULATION RESISTANCE	5000 MΩMini
HERMETIC SEAL	NA Atm.cm ³ /s
LEAKAGE (pressurized only)	NA
MECHANICAL DURABILITY	500 Cycles
WEIGHT	18.7 gr
SPECIFICATION	

CABLES :

OTHERS CHARACTERISTICS

isolant 0 200.5

CABLE RETENTION

NA N Mini

CENTER CONTACT RETENTION

Axial force - mating end

27 N Mini

Axial force - opposite end

27 N Mini

Torque

NA cm.N Mini

RECOMMENDED TORQUES

Mating

NA cm.N

Panel nut

NA cm.N

Clamp nut

NA cm.N

CONNECTOR PARTS:

MATERIALS

FINISH

(all values are given in micrometers)

BODY
OUTER CONTACT
CENTER CONTACT
INSULATOR
GASKET
OTHERS PIECES

BRASS
BRASS
BERYLLIUM COPPER
CROSS-LINKED STYRENE COPOLYMER

BBR 2
BBR 2
GOLD 0.5 OVER NICKEL 2

BONDMINI

ISSUE
0523 F00

CREATION DATE
24/03/1993

FILE PART-NUMBER



RADIALL®

The information given here is subject to change without notice. Design changes may be in order to improve the product.

Connect to the future

X-ON Electronics

Largest Supplier of Electrical and Electronic Components

Click to view similar products for [RF Connectors / Coaxial Connectors](#) category:

Click to view products by [Radiall](#) manufacturer:

Other Similar products are found below :

[8915-1511-000](#) [89674-0827](#) [6001-7071-019](#) [6002-7051-003](#) [6002-7551-202](#) [6059674-1](#) [619550-1](#) [630059-000](#) [M39030/3-01N](#) [6500-7071-046](#) [6769](#) [CX050L2AQ](#) [7002-1541-010](#) [7002-1542-011](#) [7004-1512-000](#) [7009-1511-004](#) [7010-1511-000](#) [7029-1511-060](#) [7101-1541-010](#) [7101-1571-002](#) [7145-1521-002](#) [7203-1571-003](#) [7209-1511-011](#) [7210-1511-015](#) [7210-1511-019](#) [73137-5015](#) [73216-2241](#) [73404-2300](#) [7405-1521-005](#) [7405-1521-802](#) [8527](#) [8547](#) [FS11V](#) [877931](#) [8808-1511-001](#) [9049-9513-000](#) [9074-9513-000](#) [9101-9573-002](#) [910A205F](#) [9130-9573-002](#) [PL11SC-026](#) [PL375-33](#) [PL40-5](#) [PL74C-221](#) [PL75MC-217](#) [PL803-7](#) [980-8666-005](#) [1200690078](#) [1-201144-1](#) [R107003010W](#)