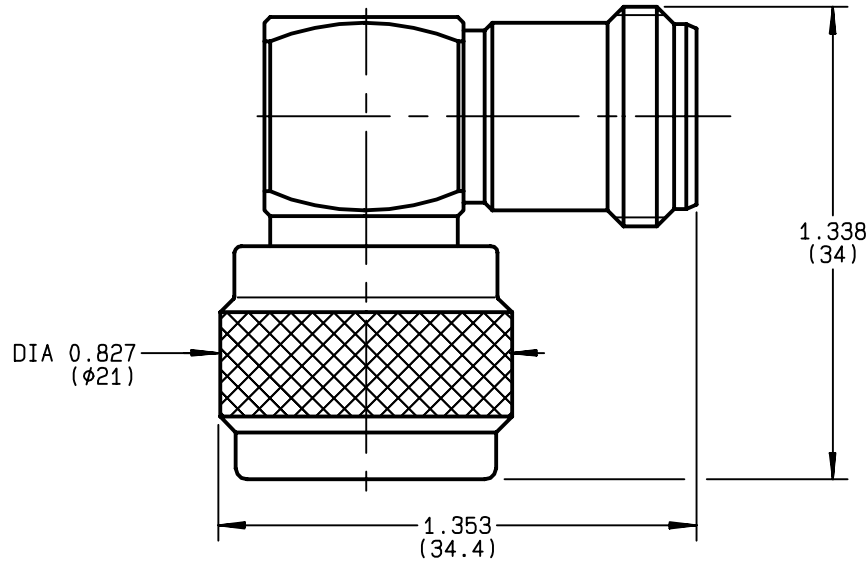


**MALE-FEMALE RIGHT ANGLE ADAPTOR**

**R161.771.000**  
**SERIES N**



NOMINAL IMPEDANCE	<b>50</b> Ω	CABLES :		
FREQUENCY RANGE	<b>0-11</b> GHz			
TEMPERATURE RATING	<b>-55/+155</b> °C			
V.S.W.R	<b>1.05*</b> + <b>.03</b> x F(GHz)Maxi			
RF INSERTION LOSS	<b>0.10</b> √F(GHz) dB Maxi			
VOLTAGE RATING	<b>1400</b> Veff Maxi			
DIELECTRIC WITHSTANDING VOLTAGE	<b>2500</b> Veff Mini			
INSULATION RESISTANCE	<b>5000</b> MΩMini		OTHERS CHARACTERISTICS	
HERMETIC SEAL	<b>NA</b> Atm.cm <sup>3</sup> /s		CABLE RETENTION	<b>NA</b> N Mini
LEAKAGE (pressurized only)	<b>NA</b>		CENTER CONTACT RETENTION	
MECHANICAL DURABILITY	<b>500</b> Cycles	Axial force - mating end	<b>27</b> N Mini	
WEIGHT	<b>54</b> gr	Axial force - opposite end	<b>27</b> N Mini	
SPECIFICATION		Torque	<b>NA</b> cm.N Mini	
	<b>* 0-9 GHz</b>	RECOMMENDED TORQUES		
	<b>LEA 03COAN08</b>	Mating	<b>130</b> cm.N	
		Panel nut	<b>NA</b> cm.N	
		Clamp nut	<b>NA</b> cm.N	

CONNECTOR PARTS	MATERIALS	FINISH	(all values are given ) in micrometers
BODY	BRASS	BBR 2	
OUTER CONTACT	BRASS	BBR 2	
CENTER CONTACT	BERYLLIUM COPPER	GOLD 0.5 OVER NICKEL 2	
INSULATOR	PTFE	-	
GASKET	SILICONE RUBBER	-	
OTHERS PIECES	BRASS	BBR 2	

BONOMINI	ISSUE	CREATION DATE	FILE PART-NUMBER	 <b>RADIALL</b> ®
	<b>9813C02</b>	<b>14/04/1980</b>	<b>EPC 96-07</b>	

The information given here is subject to change without notice.  
 Design changes may be in order to improve the product .

## X-ON Electronics

Largest Supplier of Electrical and Electronic Components

*Click to view similar products for [RF Adapters - In Series](#) category:*

*Click to view products by [Radiall](#) manufacturer:*

Other Similar products are found below :

[5916-1103-603](#) [5919-1503-000](#) [5919-9503-000](#) [651A505](#) [82-5552](#) [9030-9523-502](#) [PN2C](#) [A0407000](#) [R114703000W](#) [R125771001](#)  
[R127871001](#) [R141710000W](#) [R141723161](#) [R141730000](#) [R143730700](#) [R143770000](#) [R161703000W](#) [R161753000W](#) [R161791530W](#)  
[R201705000](#) [R222705200](#) [R222M40010W](#) [R222M40050](#) [R223703180](#) [R316754000](#) [R405006000](#) [R443162000](#) [AD78TL](#) [HRM-513S](#)  
[1996352-2](#) [2157155-1](#) [252169-75](#) [AD158](#) [2101130-1](#) [252186](#) [R114704000W](#) [R114720000W](#) [R125705001](#) [R125705701](#) [R125771000](#)  
[R125771001W](#) [R127704001](#) [R127.870.001](#) [R127872001](#) [R141717000](#) [R142710000](#) [R142723000](#) [R143703000](#) [R143704000](#) [R143705700](#)