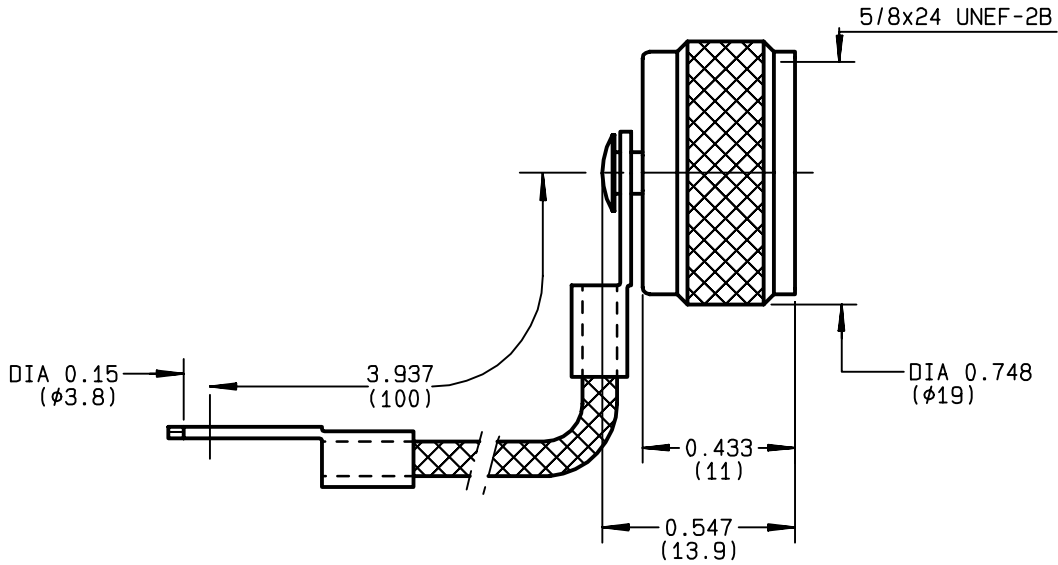


**MALE PROTECTIVE CAP  
WITH CORD**

**R161.804.000**  
**SERIES N**



|                                 |          |                          |                            |     |           |
|---------------------------------|----------|--------------------------|----------------------------|-----|-----------|
| NOMINAL IMPEDANCE               | NA       | $\Omega$                 | CABLES :                   |     |           |
| FREQUENCY RANGE                 | NA       | GHz                      |                            |     |           |
| TEMPERATURE RATING              | -55/+155 | $^{\circ}\text{C}$       |                            |     |           |
| V.S.W.R                         | NA +     | x F(GHz)Maxi             |                            |     |           |
| RF INSERTION LOSS               | NA       | $\sqrt{F}$ (GHz) dB Maxi |                            |     |           |
| VOLTAGE RATING                  | NA       | Veff Maxi                |                            |     |           |
| DIELECTRIC WITHSTANDING VOLTAGE | NA       | Veff Mini                |                            |     |           |
| INSULATION RESISTANCE           | NA       | M $\Omega$ Mini          |                            |     |           |
| HERMETIC SEAL                   | NA       | Atm.cm <sup>3</sup> /s   |                            |     |           |
| LEAKAGE (pressurized only)      | NA       |                          |                            |     |           |
| MECHANICAL DURABILITY           | 500      | Cycles                   | OTHERS CHARACTERISTICS     |     |           |
| WEIGHT                          | 11       | gr                       | CABLE RETENTION            | NA  | N Mini    |
| SPECIFICATION                   |          |                          | CENTER CONTACT RETENTION   |     |           |
|                                 |          |                          | Axial force - mating end   | NA  | N Mini    |
|                                 |          |                          | Axial force - opposite end | NA  | N Mini    |
|                                 |          |                          | Torque                     | NA  | cm.N Mini |
|                                 |          |                          | RECOMMENDED TORQUES        |     |           |
|                                 |          |                          | Mating                     | 130 | cm.N      |
|                                 |          |                          | Panel nut                  | NA  | cm.N      |
|                                 |          |                          | Clamp nut                  | NA  | cm.N      |

| CONNECTOR PARTS | MATERIALS   | FINISH | (all values are given )<br>in micrometers |
|-----------------|-------------|--------|---|
| BODY            | BRASS       | BBR 2  |   |
| OUTER CONTACT   |             |        |   |
| CENTER CONTACT  |             |        |   |
| INSULATOR       |             | -      |   |
| GASKET          | CHLOROPRENE | -      |   |
| OTHERS PIECES   | BRASS       | BBR 2  |   |

ISSUE 9726E00  
CREATION DATE 17/06/1993  
FILE PART-NUMBER



**RADIALL**<sup>®</sup>

BONOMINI

The information given here is subject to change without notice.  
Design changes may be in order to improve the product .

*Connect to the future*

## X-ON Electronics

Largest Supplier of Electrical and Electronic Components

*Click to view similar products for [RF Connector Accessories](#) category:*

*Click to view products by [Radiall](#) manufacturer:*

Other Similar products are found below :

[89674-0712](#) [F702RX24](#) [FERRULE-174](#) [R141802000](#) [R141805000](#) [R141842000](#) [R161862000](#) [R161862000W](#) [R280752000](#) [R280907000](#)  
[R694261906](#) [RFI21-13](#) [RFI75-13-D2](#) [RFI75-4-D2](#) [AX102906](#) [AX102907](#) [18097-0013](#) [HP-375](#) [HP-500](#) [2098-0294-00](#) [2098-3251-94](#) [KA-](#)  
[81-05](#) [89674-0805](#) [F1](#) [FERRULE-223](#) [202102-11](#) [213337-1](#) [220222-2](#) [24092671A](#) [24092678A](#) [R280468000](#) [R280510000](#) [R282862060](#)  
[RFI155-1](#) [RFI25-12-D3](#) [RFI25-5](#) [RFI25-5-D3](#) [RFI75-12-D2](#) [RFI75-2-D2](#) [RFI75-4-D3](#) [RFI77-6](#) [360HS001M2508M6](#) [4-1532137-4](#) [5-21085-](#)  
[0](#) [105274-1000](#) [111062-0490](#) [112122-SOD-LUG](#) [112-NUT-KNURL](#) [IPP-2014](#) [R280490020](#)