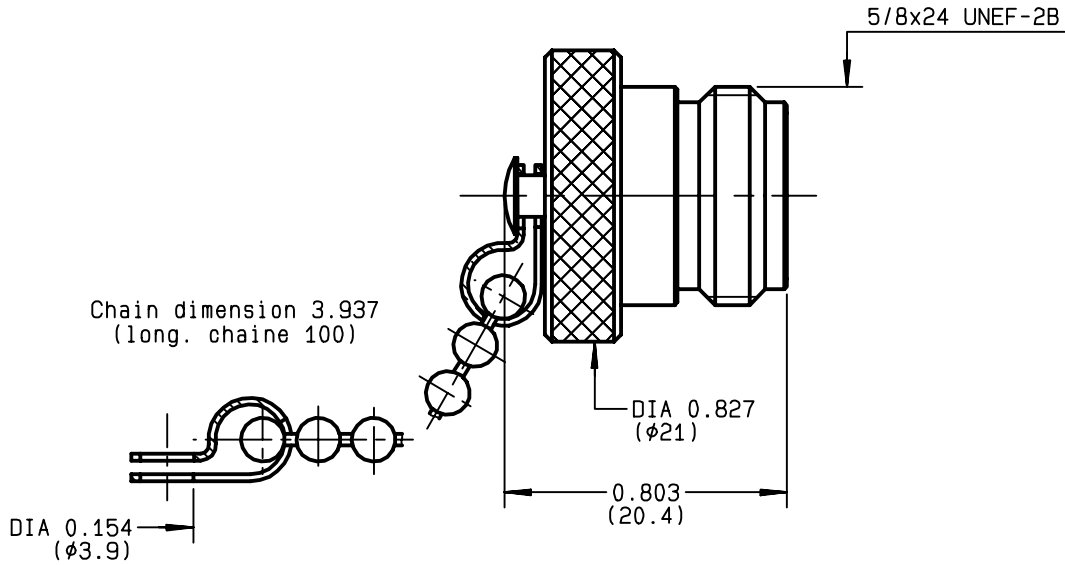


**FEMALE PROTECTIVE CAP
WITH CHAIN**

R161.841.000
SERIES N



| | | | | | | |
|---------------------------------|----------|------------------------|----------------------------|--------------------------|-----------|--------|
| NOMINAL IMPEDANCE | NA | Ω | CABLES : | | | |
| FREQUENCY RANGE | NA | GHz | | | | |
| TEMPERATURE RATING | -55/+155 | °C | | | | |
| V.S.W.R | NA + | x F(GHz)Maxi | | | | |
| RF INSERTION LOSS | NA | √F(GHz) dB Maxi | | | | |
| VOLTAGE RATING | NA | Veff Maxi | | | | |
| DIELECTRIC WITHSTANDING VOLTAGE | NA | Veff Mini | | | | |
| INSULATION RESISTANCE | NA | M ΩMini | | OTHERS CHARACTERISTICS | | |
| HERMETIC SEAL | NA | Atm.cm ³ /s | | CABLE RETENTION | NA | N Mini |
| LEAKAGE (pressurized only) | NA | | | CENTER CONTACT RETENTION | | |
| MECHANICAL DURABILITY | 500 | Cycles | Axial force - mating end | NA | N Mini | |
| WEIGHT | 29.5 | gr | Axial force - opposite end | NA | N Mini | |
| SPECIFICATION | | | Torque | NA | cm.N Mini | |
| | | | RECOMMENDED TORQUES | | | |
| | | | Mating | NA | cm.N | |
| | | | Panel nut | NA | cm.N | |
| | | | Clamp nut | NA | cm.N | |

| CONNECTOR PARTS | MATERIALS | FINISH | (all values are given) in micrometers |
|-----------------|-----------|--------|---|
| BODY | BRASS | BBR 2 | |
| OUTER CONTACT | | | |
| CENTER CONTACT | | | |
| INSULATOR | | - | |
| GASKET | | - | |
| OTHERS PIECES | BRASS | BBR 2 | |

ISSUE 9726U00
CREATION DATE 17/06/1993
FILE PART-NUMBER



BONMINI

The information given here is subject to change without notice.
Design changes may be in order to improve the product .

Connect to the future

X-ON Electronics

Largest Supplier of Electrical and Electronic Components

Click to view similar products for [RF Connector Accessories](#) category:

Click to view products by [Radiall](#) manufacturer:

Other Similar products are found below :

[89674-0712](#) [F702RX24](#) [FERRULE-174](#) [R141802000](#) [R141805000](#) [R141842000](#) [R161862000](#) [R161862000W](#) [R280752000](#) [R280907000](#)
[R694261906](#) [RFI21-13](#) [RFI75-13-D2](#) [RFI75-4-D2](#) [AX102906](#) [AX102907](#) [18097-0013](#) [HP-375](#) [HP-500](#) [2098-0294-00](#) [2098-3251-94](#) [KA-](#)
[81-05](#) [89674-0805](#) [F1](#) [FERRULE-223](#) [202102-11](#) [213337-1](#) [220222-2](#) [24092671A](#) [24092678A](#) [R280468000](#) [R280510000](#) [R282862060](#)
[RFI155-1](#) [RFI25-12-D3](#) [RFI25-5](#) [RFI25-5-D3](#) [RFI75-12-D2](#) [RFI75-2-D2](#) [RFI75-4-D3](#) [RFI77-6](#) [360HS001M2508M6](#) [4-1532137-4](#) [5-21085-](#)
[0](#) [105274-1000](#) [111062-0490](#) [112122-SOD-LUG](#) [112-NUT-KNURL](#) [IPP-2014](#) [R280490020](#)