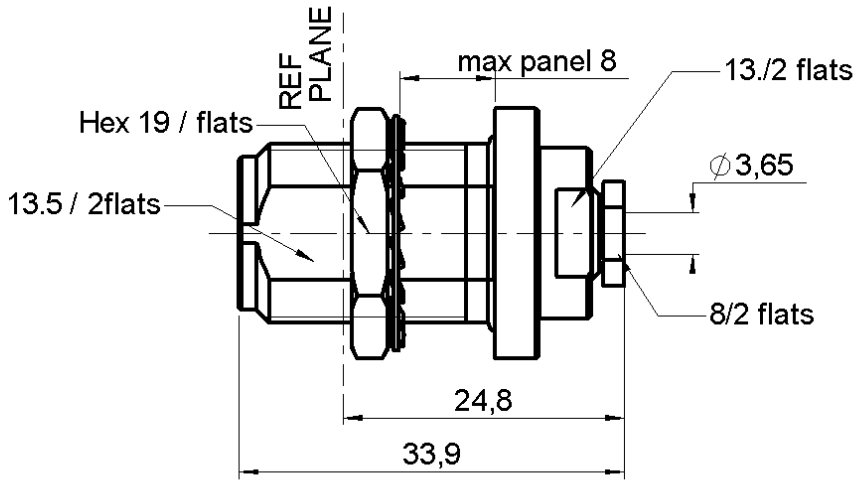


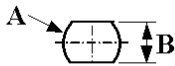
STRAIGHT BULKHEAD JACK PANEL SEAL
REAR MOUNT SOLDER TYPE - CABLE .141

R163.337.001

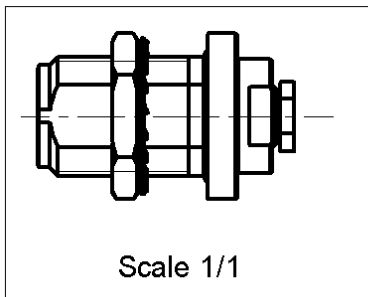
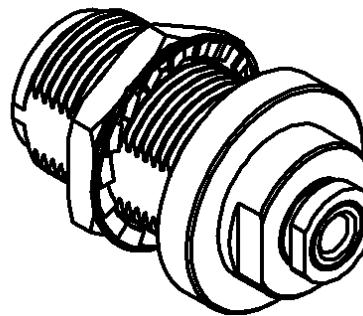
Series : N-18



PANEL CUT OUT



mm		
	Maxi	mini
A	16	15.9
B	13.7	13.6



All dimensions are in mm.



COMPONENTS	MATERIALS	PLATINGS (µm)
BODY	STAINLESS STEEL	PASSIVATED .
CENTER CONTACT	BERYLLIUM COPPER	GOLD 1.3 OVER NICKEL 2
OUTER CONTACT	-	-
INSULATOR	PTFE,ULTEM	-
GASKET	-	-
OTHERS PARTS	-	-
-	-	-
-	-	-

Issue : 0048 B

In the effort to improve our products, we reserve the right to make changes judged to be necessary.



STRAIGHT BULKHEAD JACK PANEL SEAL

R163.337.001

REAR MOUNT SOLDER TYPE - CABLE .141

Series : N-18

PACKAGING

Standard	Unit	Other
1	'W' option	Contact us

SPECIFICATION

ELECTRICAL CHARACTERISTICS

Impedance		50	Ω
Frequency		0-18	GHz
VSWR	1.05 +	0.007	x F(GHz) Maxi
Insertion loss		0.1	\sqrt{F} (GHz) dB Maxi
RF leakage	- (92	- F(GHz)) dB Maxi
Voltage rating		500	Veff Maxi
Dielectric withstanding voltage		1500	Veff mini
Insulation resistance		5000	M Ω mini

CABLE ASSEMBLY

Stripping	a	b	c	d	e	f
mm	3.17	0.00	0.00	0.00	0.00	0.00

Assembly instruction :

Recommended cable(s)
RG 402
KS 2

Cable retention

- pull off	272	N mini
- torque	40	N.cm

MECHANICAL CHARACTERISTICS

Center contact retention		
Axial force – Mating end	27	N mini
Axial force – Opposite end	27	N mini
Torque	NA	N.cm mini

TOOLING

Part Number	Description	Hexagon
.	.	.

Recommended torque		
Mating	NA	N.cm
Panel nut	500	N.cm
Clamp nut	200	N.cm
A/F clamp nut	8.000	mm

Mating life	500	Cycles mini
Weight	42.900	g

OTHERS CHARACTERISTICS

-

ENVIRONMENTAL

Operating temperature	-40/+125	$^{\circ}$ C
Hermetic seal	NA	Atm.cm3/s
Panel leakage	.0044	

Issue : 0048 B

In the effort to improve our products, we reserve the right to make changes judged to be necessary.

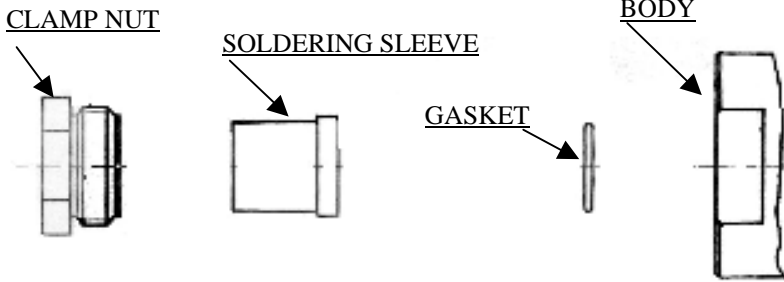


STRAIGHT BULKHEAD JACK PANEL SEAL
REAR MOUNT SOLDER TYPE - CABLE .141

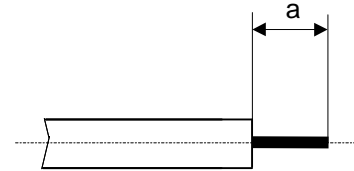
R163.337.001

Series : N-18

COMPONENTS

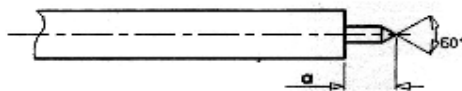


STRIPPING DIMENSIONS



1

Strip the centre conductor and stim it



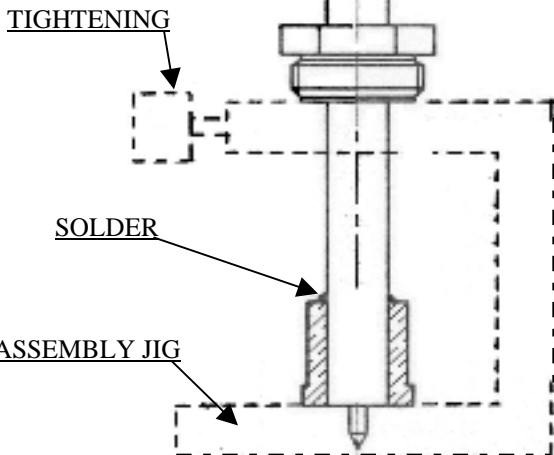
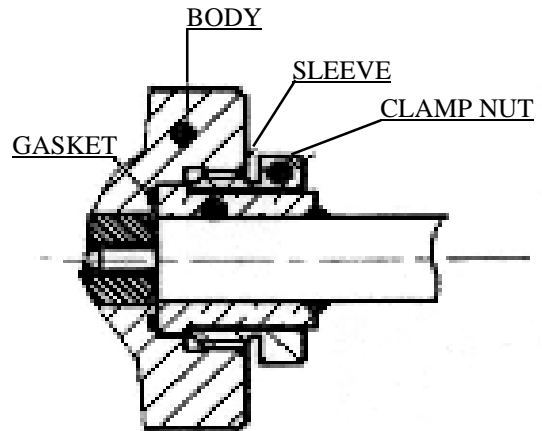
2

- Slide soldering sleeve on the cable .
- Slide soldering sleeve on the cable and get the cable against assembly jig, tighten the cable.
- Solder sleeve onto the cable.
- Let the assembly cool down before removing it from the jig.
- Cut the dielectric flush to the sleeve.

3

- Put the gasket into the body
- Screw the sub-assembly into the body.

Recommended coupling torque : (see connector TDS)



Issue : 0048 B

In the effort to improve our products, we reserve the right to make changes judged to be necessary.



X-ON Electronics

Largest Supplier of Electrical and Electronic Components

Click to view similar products for [RF Adapters - In Series](#) category:

Click to view products by [Radiall](#) manufacturer:

Other Similar products are found below :

[5916-1103-603](#) [5919-1503-000](#) [651A505](#) [82-5552](#) [9030-9523-502](#) [PN2C](#) [A0407000](#) [R114703000W](#) [R125771001](#) [R141710000W](#)
[R141723161](#) [R141730000](#) [R143730700](#) [R143770000](#) [R161703000W](#) [R161753000W](#) [R161791530W](#) [R201705000](#) [R222705200](#)
[R222M40010W](#) [R223703180](#) [R316754000](#) [R405006000](#) [R443162000](#) [AD78TL](#) [HRM-513S](#) [1996352-2](#) [2157155-1](#) [252169-75](#) [AD158](#)
[2101130-1](#) [252186](#) [R114704000W](#) [R114720000W](#) [R125705001](#) [R125705701](#) [R125771000](#) [R125771001W](#) [R127704001](#) [R127.870.001](#)
[R127872001](#) [R141717000](#) [R142710000](#) [R142723000](#) [R143703000](#) [R143704000](#) [R143705700](#) [R161715000W](#) [R161771000W](#) [R176754000](#)