

**FEMALE - FEMALE ADAPTOR
CAPTIVE CONTACT .**

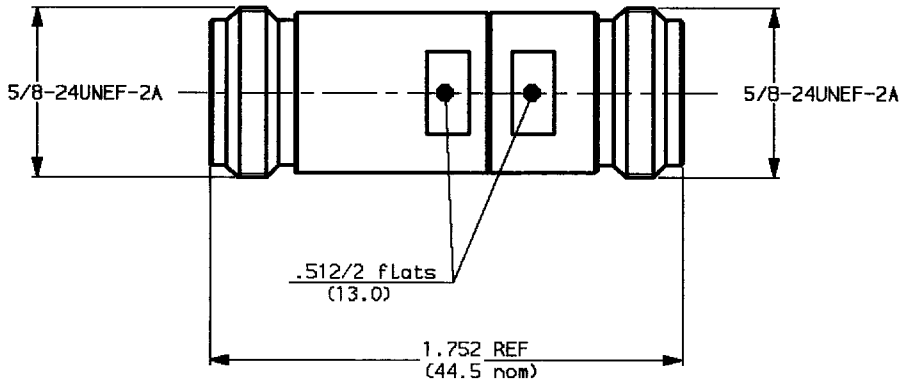
Issue : 9125

Page

SERIES: N 18 GHz

1 / 1

DEP90.R161.500



WEIGHT oz (g)

CHARACTERISTICS

NOMINAL IMPEDANCE	50	Ω
FREQUENCY RANGE	0-18	GHz
TEMPERATURE RATING	-65/+165	°C
VSWR	1.05 + 0.005 f(GHz)	
RF INSERTION LOSS	0.1	dB Maxi
VOLTAGE RATING	1000	Vrms Maxi
DIELECTRIC WITHSTANDING VOLTAGE	2500	Vrms mini
INSULATION RESISTANCE	5000	MΩ mini
HERMETIC SEAL	NA	cc/s Atm.cm ³ /s
LEAKAGE	0.641 .0044	psi MPa
(Low atmospheric air pressure)	-	-

STANDARDISATION	MIL C 39012
	CECC 22000
	IEC 189-1B
	DS 8811 - Aeronautic applications
CABLE RETENTION	NA Lb mini N
CENTER CONTACT RETENTION	
Axial force - mating end	6.075 Lb mini 27 N
Axial force - opposite end	6.075 Lb mini 27 N
Torque (Min)	NA Inch.oz cm.N
RECOMMENDED TORQUES	
Mating	NA Inch.Lb cm.N
Panel nut	NA Inch.Lb cm.N
Clamp nut	NA Inch.Lb cm.N

CONSTRUCTION

CONNECTOR PARTS	MATERIALS	FINISH
BODY	STAINLESS STEEL	PASSIVATED
OUTER CONTACT	STAINLESS STEEL	PASSIVATED
CENTER CONTACT	BERYLLIUM COPPER	GOLD
INSULATOR	POLYETHERIMID RESIN	-
INSULATOR	PTFE	-
GASKET	FLUOROSILICON	-
-	-	-
-	-	-
-	-	-

ISSUE	REVISION No	DESCRIPTION	BY	DATE
.
.
.
.

Initiated on 09-JUL-90

The information given here is subject to change without notice. Design changes may be in order to improve the product.



Superseded on

X-ON Electronics

Largest Supplier of Electrical and Electronic Components

Click to view similar products for [RF Adapters - In Series category:](#)

Click to view products by [Radiall manufacturer:](#)

Other Similar products are found below :

[5916-1103-603](#) [5919-1503-000](#) [5919-9503-000](#) [651A505](#) [82-5552](#) [9030-9523-502](#) [PN2C](#) [A0407000](#) [R114703000W](#) [R125771001](#)
[R127871001](#) [R141710000W](#) [R141723161](#) [R141730000](#) [R143730700](#) [R143770000](#) [R161703000W](#) [R161753000W](#) [R161791530W](#)
[R201705000](#) [R222705200](#) [R222M40010W](#) [R222M40050](#) [R223703180](#) [R316754000](#) [R405006000](#) [R443162000](#) [AD78TL](#) [HRM-513S](#)
[1996352-2](#) [2157155-1](#) [252169-75](#) [AD158](#) [2101130-1](#) [252186](#) [R114704000W](#) [R114720000W](#) [R125705001](#) [R125705701](#) [R125771000](#)
[R125771001W](#) [R127704001](#) [R127.870.001](#) [R127872001](#) [R141717000](#) [R142710000](#) [R142723000](#) [R143703000](#) [R143704000](#) [R143705700](#)