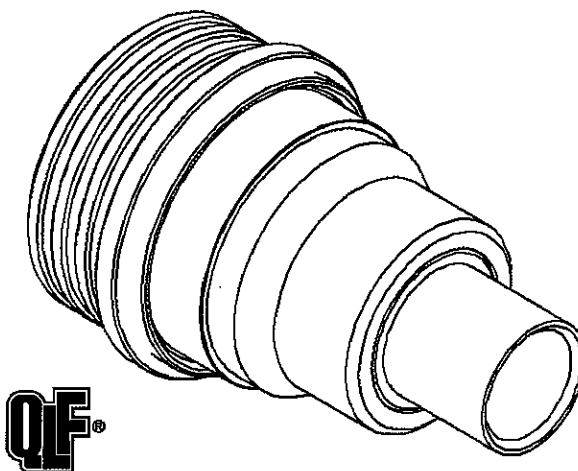
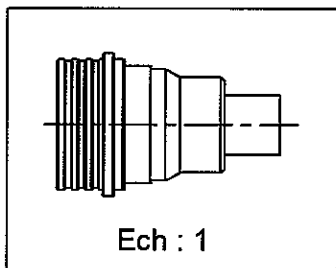
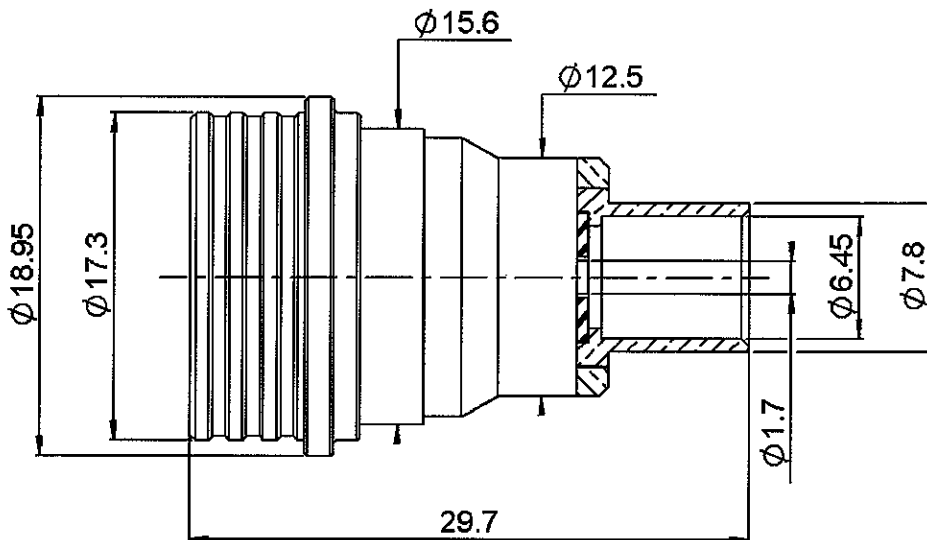


**STRAIGHT PLUG SOLDER TYPE**

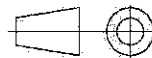
**R164.054.002**

**CABLE .250**

Series : QN



All dimensions are in mm.



COMPONENTS	MATERIALS	PLATINGS ( $\mu\text{m}$ )
BODY	BRASS	BBR 0.5 OVER SILVER 3
CENTER CONTACT	BRASS	GOLD 1.3 OVER COPPER 2.5
OUTER CONTACT	BERYLLIUM COPPER	GOLD 0.3 OVER CHEMICAL NICKEL
INSULATOR	PTFE	
GASKET	EPDM	
OTHERS PARTS	BRASS	GOLD 1 OVER COPPER 2
-	-	-
-	-	-

Issue : 0520 B

In the effort to improve our products, we reserve the right to make changes judged to be necessary.



**STRAIGHT PLUG SOLDER TYPE**

**R164.054.002**

**CABLE .250**

Series : QN

**PACKAGING**

Standard	Unit	Other
50	'W' option	Contact us

**SPECIFICATION**

**ELECTRICAL CHARACTERISTICS**

Impedance		<b>50</b> Ω
Frequency		<b>*0-6</b> GHz
VSWR	<b>1.05 +</b>	<b>0.025</b> x F(GHz) Maxi
Insertion loss		<b>0.048</b> √F(GHz) dB Maxi
RF leakage	<b>- ( **90</b>	<b>- F(GHz))</b> dB Maxi
Voltage rating		<b>700</b> Veff Maxi
Dielectric withstanding voltage		<b>1500</b> Veff mini
Insulation resistance		<b>5000</b> MΩ mini

**CABLE ASSEMBLY**

Stripping	a	b	c	d	e	f
mm	4.50	0.00	0.00	0.00	0.00	0.00

Assembly instruction :

Recommended cable(s)  
KS 3  
RG 401

Characteristics indicated on this data sheet are those that can be achieved with the highest performance cable. Intrinsic limitations of the cable may diminish the performance of the assembly

Cable retention

- pull off **500** N mini
- torque **NA** N.cm

**MECHANICAL CHARACTERISTICS**

Center contact retention		
Axial force – Mating end	<b>NA</b>	N mini
Axial force – Opposite end	<b>NA</b>	N mini
Torque	<b>NA</b>	N.cm mini

Recommended torque		
Mating	<b>NA</b>	N.cm
Panel nut	<b>NA</b>	N.cm
Clamp nut	<b>NA</b>	N.cm
A/F clamp nut	<b>0.000</b>	mm

Mating life	<b>100</b>	Cycles mini
Weight	<b>18.900</b>	g

**TOOLING**

Part Number	Description	Hexagon
R282.054.000	STRIPPING TOOL	
R282.074.020	POINTER GAUGE CABLE .250	
R282.740.030	SOLDERING MOUNTING	
R282.744.261	SOLDERING POSITIONER N	
R282.862.140	SOLDER GAUGE THICKNESS 0.0276	

**ENVIRONMENTAL**

Operating temperature	<b>-55/+125</b>	°C
Hermetic seal	<b>NA</b>	Atm.cm3/s
Panel leakage	<b>NA</b>	

**OTHERS CHARACTERISTICS**

- \* Usable 0-11GHz
- \*\*RF Leakage: -80dBm 3<F<6GHz
- \*\*\*PIM3 : -112dBm (2 x 20W at 1.8GHz)

Issue : 0520 B

In the effort to improve our products, we reserve the right to make changes judged to be necessary.



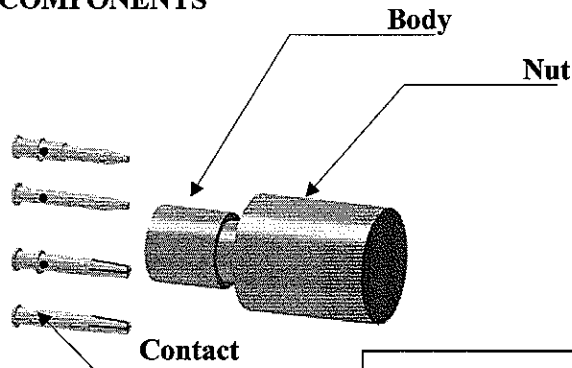
**STRAIGHT PLUG SOLDER TYPE**

**R164.054.002**

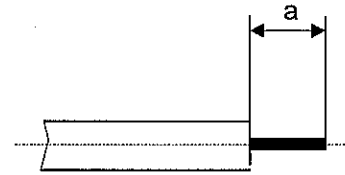
**CABLE .250**

Series : QN

**COMPONENTS**



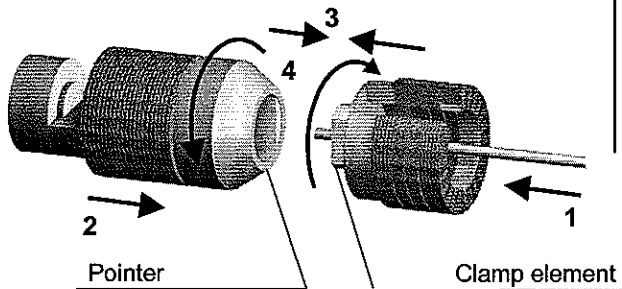
**STRIPPING DIMENSIONS**



We recommend a thermal preconditioning cable

**1**

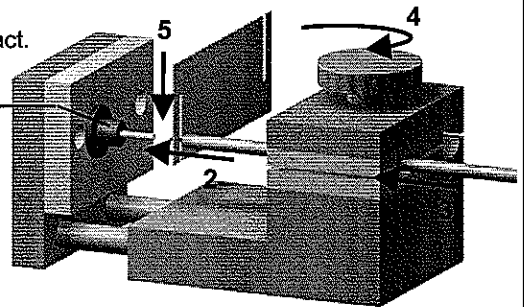
Insert the cable into the clamp element.  
Present the pointer in front of the clamp element.  
Push the cable until it stops, while holding the clamp element pushed on the hollow part of the pointer.  
Turn the clamp element until the release of the pointer.



**3**

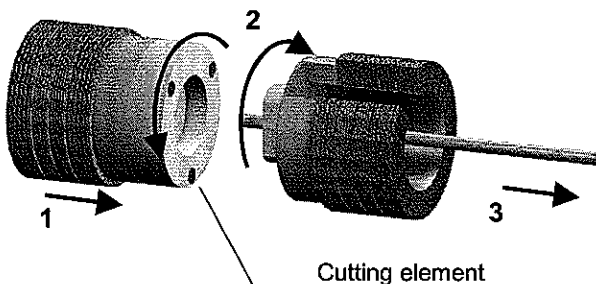
Mount the positioner A.  
Slide the centre contact into the positioner A.  
Insert the solder gauge between the centre contact and the cable.  
Tighten  
Solder the contact.

1 - Positioner A



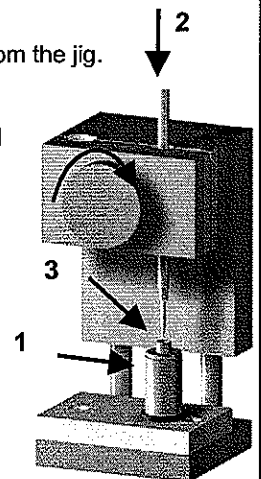
**2**

Present the cutting element in front of the clamp element.  
Push and turn both elements, back part opposite to the front part. Once they reach the stop, pull without revolving.



**4**

After cooling, remove the assembly from the jig.  
Positioning the connector onto the Assembly jig.  
Slide the cable into the connector until it bottoms against the insulator  
Tighten.  
Put three rings of solder around the cable and solder.  
After cooling, remove the assembly from the jig.



Issue : 0520 B

In the effort to improve our products, we reserve the right to make changes judged to be necessary.



**RADIALL®**

## X-ON Electronics

Largest Supplier of Electrical and Electronic Components

*Click to view similar products for [RF Connectors / Coaxial Connectors](#) category:*

*Click to view products by [Radiall](#) manufacturer:*

Other Similar products are found below :

[8915-1511-000](#) [89674-0827](#) [6001-7071-019](#) [6002-7051-003](#) [6002-7551-202](#) [6059674-1](#) [619550-1](#) [630059-000](#) [M39030/3-01N](#) [6500-7071-046](#) [6769](#) [CX050L2AQ](#) [7002-1541-010](#) [7002-1542-011](#) [7004-1512-000](#) [7009-1511-004](#) [7010-1511-000](#) [7029-1511-060](#) [7101-1541-010](#) [7101-1571-002](#) [7105-1521-002](#) [7145-1521-002](#) [7203-1571-003](#) [7209-1511-011](#) [7210-1511-015](#) [7210-1511-019](#) [73137-5015](#) [73216-2241](#) [73404-2300](#) [7405-1521-005](#) [7405-1521-802](#) [8527](#) [8547](#) [FS11V](#) [877931](#) [8808-1511-001](#) [9074-9513-000](#) [9101-9573-002](#) [910A205F](#) [9130-9573-002](#) [PL11SC-026](#) [PL375-33](#) [PL40-5](#) [PL74C-221](#) [PL75MC-217](#) [PL803-7](#) [1200690078](#) [1-201144-1](#) [R107003010W](#) [R110A172100](#)