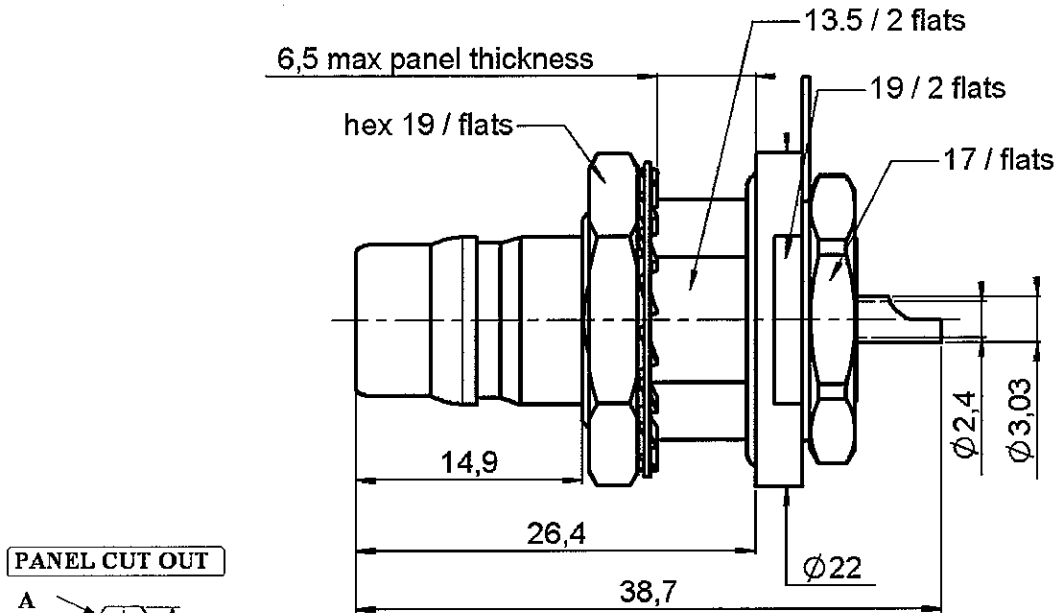


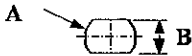
**STR. BULK. RECEPTACLE INTERNAL AND  
PANEL SEAL REAR MOUNTING**

**R164.606.000**

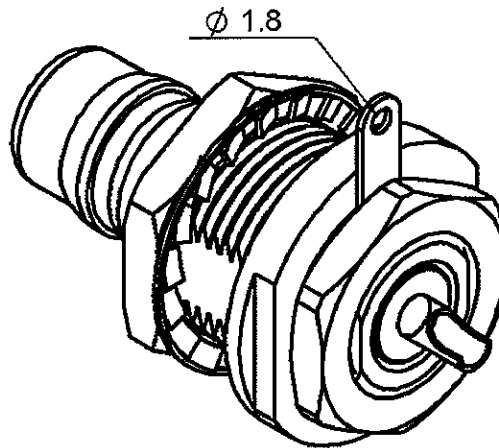
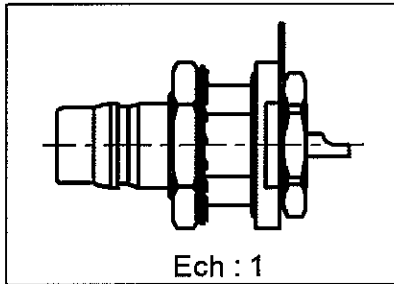
Series : QN



PANEL CUT OUT



mm		
	Maxi	mini
A	16.3	16
B	13.9	13.6



All dimensions are in mm.



COMPONENTS	MATERIALS	PLATINGS (µm)
BODY	BRASS	BBR 0.5 OVER SILVER 3
CENTER CONTACT	BERYLLIUM COPPER	GOLD 1.3 OVER COPPER 2.5
OUTER CONTACT		
INSULATOR	PTFE	
GASKET	SILICONE RUBBER	
OTHERS PARTS	BRASS	BBR 2
-	-	-
-	-	-

Issue : 0505 B

In the effort to improve our products, we reserve the right to make changes judged to be necessary.



**STR. BULK. RECEPTACLE INTERNAL AND  
PANEL SEAL REAR MOUNTING**

**R164.606.000**

Series : QN

**PACKAGING**

Standard	Unit	Other
50	'W' option	Contact us

**SPECIFICATION**

**ELECTRICAL CHARACTERISTICS**

Impedance		50 Ω
Frequency		0-6* GHz
VSWR	1.6** +	0.000 x F(GHz) Maxi
Insertion loss		0.35 √F(GHz) dB Maxi
RF leakage	- (	***90 - F(GHz)) dB Maxi
Voltage rating		1000 Veff Maxi
Dielectric withstanding voltage		2000 Veff mini
Insulation resistance		5000 MΩ mini

**ENVIRONMENTAL**

Operating temperature	-55/+125 °C
Hermetic seal	Atm.cm3/s
Panel leakage	IP68

**OTHERS CHARACTERISTICS**

Assembly instruction

Others :

\* Usable 0-11GHz

\*\* Coaxial transmission line only

\*\*\*RF Leakage: -80dB min 3<F<6GHz

\*\*\*\* PMI3 : -112 dBm ( 2 x 20W at 1.8GHz )

**MECHANICAL CHARACTERISTICS**

Center contact retention		
Axial force – Mating end	27	N mini
Axial force – Opposite end	27	N mini
Torque	2.8	N.cm mini
Recommended torque		
Mating		N.cm
Panel nut	500	N.cm
Mating life	100	Cycles mini
Weight	35.900	g

Issue : 0505 B

In the effort to improve our products, we reserve the right to make changes judged to be necessary.



**RADIALL®**

## X-ON Electronics

Largest Supplier of Electrical and Electronic Components

*Click to view similar products for [RF Connectors](#) / [Coaxial Connectors](#) category:*

*Click to view products by [Radiall](#) manufacturer:*

Other Similar products are found below :

[8915-1511-000](#) [89674-0827](#) [6001-7071-019](#) [6002-7051-003](#) [6002-7551-202](#) [6059674-1](#) [619550-1](#) [630059-000](#) [M39030/3-01N](#) [6500-7071-046](#) [6769](#) [CX050L2AQ](#) [7002-1541-010](#) [7002-1542-011](#) [7004-1512-000](#) [7009-1511-004](#) [7010-1511-000](#) [7029-1511-060](#) [7101-1541-010](#) [7101-1571-002](#) [7145-1521-002](#) [7203-1571-003](#) [7209-1511-011](#) [7210-1511-015](#) [7210-1511-019](#) [73137-5015](#) [73216-2241](#) [73404-2300](#) [7405-1521-005](#) [7405-1521-802](#) [8527](#) [8547](#) [FS11V](#) [877931](#) [8808-1511-001](#) [9074-9513-000](#) [9101-9573-002](#) [910A205F](#) [9130-9573-002](#) [PL11SC-026](#) [PL375-33](#) [PL40-5](#) [PL74C-221](#) [PL75MC-217](#) [PL803-7](#) [1200690078](#) [1-201144-1](#) [R107003010W](#) [R110A172100](#) [R112186000](#)