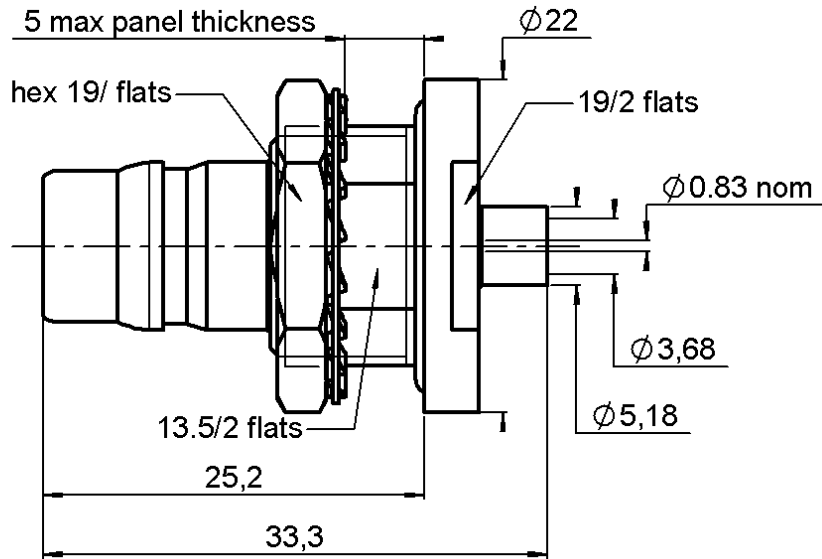


STRAIGHT BULKHEAD JACK PANEL SEAL

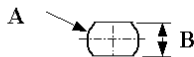
R164.635.002

REAR MOUNTING SOLDER TYPE .141

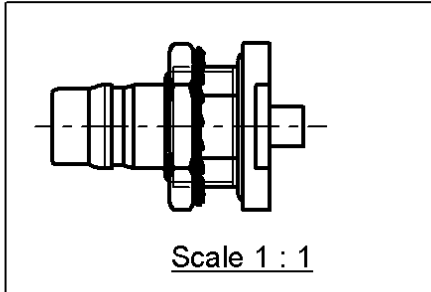
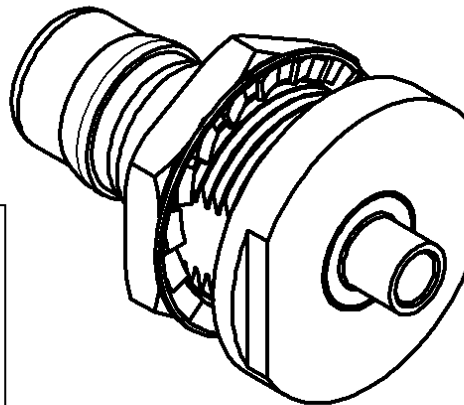
Series : QN



PANEL CUT OUT



	mm	
	Maxi	mini
A	16.3	16
B	13.9	13.6



All dimensions are in mm.

COMPONENTS	MATERIALS	PLATINGS (µm)
BODY	BRASS	BBR 0.5 OVER SILVER 3
CENTER CONTACT	BERYLLIUM COPPER	GOLD 1.3 OVER COPPER 2.5
OUTER CONTACT		-
INSULATOR	PTFE	
GASKET	SILICONE RUBBER	
OTHERS PARTS	BRASS	GOLD 1 OVER COPPER 2
-	-	-
-	-	-

Issue : 0349 B

In the effort to improve our products, we reserve the right to make changes judged to be necessary.



STRAIGHT BULKHEAD JACK PANEL SEAL

R164.635.002

REAR MOUNTING SOLDER TYPE .141

Series : QN

PACKAGING

Standard	Unit	Other
50	'W' option	Contact us

SPECIFICATION

ELECTRICAL CHARACTERISTICS

Impedance		50	Ω
Frequency		0-6*	GHz
VSWR	1.05 +	0.025	x F(GHz) Maxi
Insertion loss		0.048	\sqrt{F} (GHz) dB Maxi
RF leakage	- (**90	- F(GHz)) dB Maxi
Voltage rating		350	Veff Maxi
Dielectric withstanding voltage		1000	Veff mini
Insulation resistance		5000	M Ω mini

CABLE ASSEMBLY

Stripping	a	b	c	d	e	f
mm	3.17	0.00	0.00	0.00	0.00	0.00

Assembly instruction : **NA**

Recommended cable(s)
 RG 402
 KS 2
 BELN YQ43858
 HC80000-3

Cable retention
 - pull off **270** N mini
 - torque **NA** N.cm

MECHANICAL CHARACTERISTICS

Center contact retention			
Axial force – Mating end		27	N mini
Axial force – Opposite end		27	N mini
Torque		NA	N.cm mini

TOOLING

Part Number	Description	Hexagon
.	.	.
R282.053.000	STRIPPING TOOL	
R282.067.000	POINTER GAUGE	

Recommended torque			
Mating		NA	N.cm
Panel nut		500	N.cm
Clamp nut		NA	N.cm
A/F clamp nut		19.000	mm

Mating life		100	Cycles mini
Weight		34.475	g

OTHERS CHARACTERISTICS

* usable 0-11GHz
 ** RF Leakage : -80dB min 3<F<6GHz
 *** PIM3 : -112 dbm (2x20W at 1.8GHz)
 IP68

ENVIRONMENTAL

Operating temperature		-55/+125	$^{\circ}$ C
Hermetic seal		NA	Atm.cm3/s
Panel leakage		RUISS	

Issue : 0349 B

In the effort to improve our products, we reserve the right to make changes judged to be necessary.



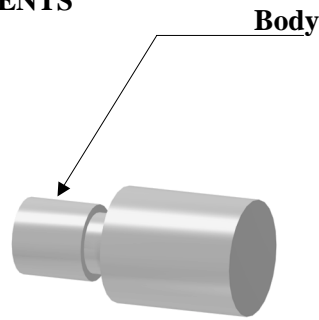
STRAIGHT BULKHEAD JACK PANEL SEAL

REAR MOUNTING SOLDER TYPE .141

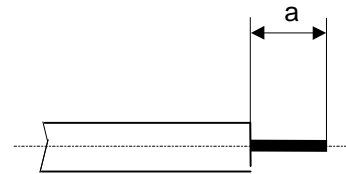
R164.635.002

Series : QN

COMPONENTS



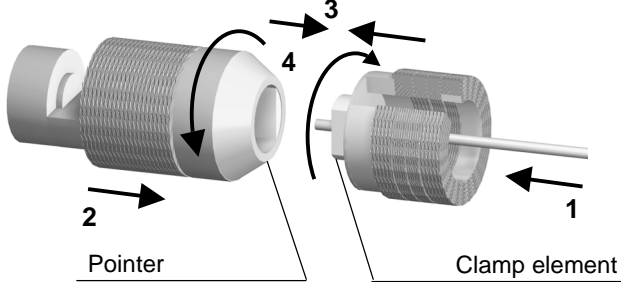
STRIPPING DIMENSIONS



We recommend a thermal preconditioning of the cable

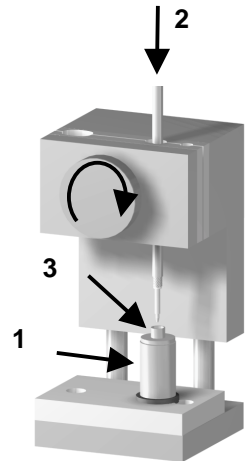
1

Insert the cable into the clamp element.
Present the pointer in front of the clamp element.
Push the cable until it stops, while holding the clamp element pushed on the hollow part of the pointer.
Turn the clamp element until the release of the pointer.



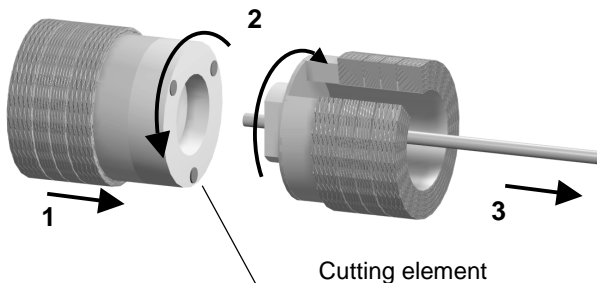
3

Position the connector onto the Assembly jig.
Slide the cable into the connector until it bottoms against the body tighten.
Put three rings of solder around the cable and solder.
After cooling, remove the assembly from the jig.



2

Present the cutting element in front of the clamp element.
Push and turn both elements, back part opposite to the front part. Once they reach the stop, pull without revolving.



Issue : 0349 B

In the effort to improve our products, we reserve the right to make changes judged to be necessary.



X-ON Electronics

Largest Supplier of Electrical and Electronic Components

Click to view similar products for [RF Connectors / Coaxial Connectors](#) category:

Click to view products by [Radiall](#) manufacturer:

Other Similar products are found below :

[8915-1511-000](#) [89674-0827](#) [6001-7071-019](#) [6002-7051-003](#) [6002-7551-202](#) [6059674-1](#) [619550-1](#) [630059-000](#) [M39030/3-01N](#) [6500-7071-046](#) [6769](#) [CX050L2AQ](#) [7002-1541-010](#) [7002-1542-011](#) [7004-1512-000](#) [7009-1511-004](#) [7010-1511-000](#) [7029-1511-060](#) [7101-1541-010](#) [7101-1571-002](#) [7145-1521-002](#) [7203-1571-003](#) [7209-1511-011](#) [7210-1511-015](#) [7210-1511-019](#) [73137-5015](#) [73216-2241](#) [73404-2300](#) [7405-1521-005](#) [7405-1521-802](#) [8527](#) [8547](#) [FS11V](#) [877931](#) [8808-1511-001](#) [9074-9513-000](#) [9101-9573-002](#) [910A205F](#) [9130-9573-002](#) [PL11SC-026](#) [PL375-33](#) [PL40-5](#) [PL74C-221](#) [PL75MC-217](#) [PL803-7](#) [1200690078](#) [1-201144-1](#) [R107003010W](#) [R110A172100](#) [R112186000](#)