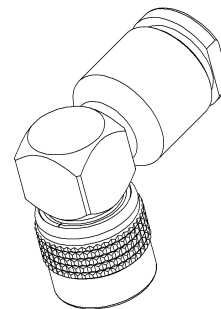
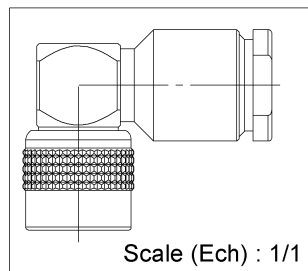
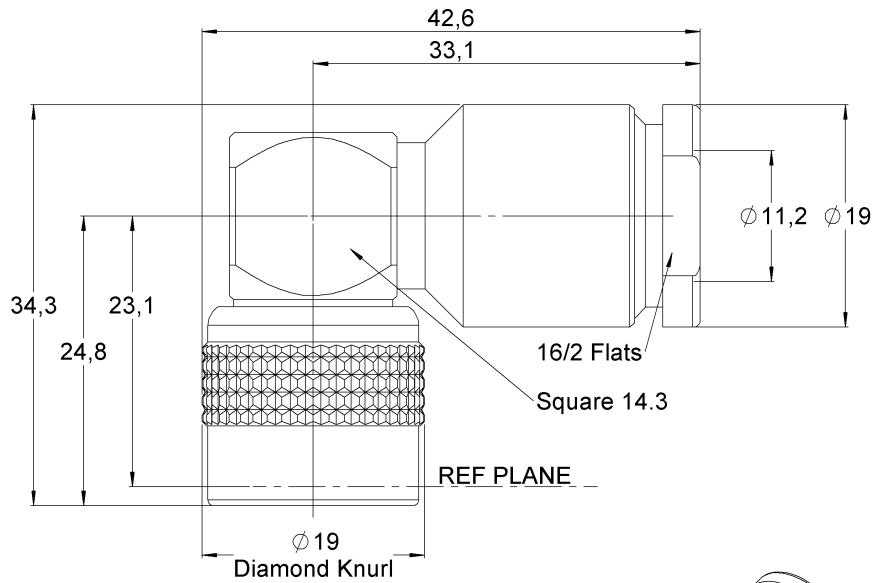
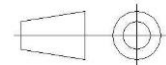


PAGE 1/3	ISSUE 30-03-16S	SERIES C	PART NUMBER R166168000
----------	-----------------	----------	------------------------



All dimensions are in mm.



COMPONENTS	MATERIALS	PLATING (µm)
Body	<b>BRASS.</b>	<b>NICKEL 2</b>
Center contact	<b>BRASS.</b>	<b>GOLD 0.5 OVER NICKEL 2</b>
Outer contact	<b>BRONZE</b>	<b>NICKEL 2</b>
Insulator	<b>PTFE</b>	
Gasket	<b>SILICONE</b>	
Others parts	<b>BRASS.</b>	<b>NICKEL 2</b>
-	-	-
-	-	-

PAGE <b>2/3</b>	ISSUE <b>30-03-16S</b>	SERIES <b>C</b>	PART NUMBER <b>R166168000</b>
-----------------	------------------------	-----------------	-------------------------------

### PACKAGING

Standard	Unit	Other
<b>1</b>	<b>Contact us</b>	<b>Contact us</b>

### ELECTRICAL CHARACTERISTICS

Impedance	<b>50</b>	$\Omega$
Frequency	<b>0-11</b>	GHz
VSWR	<b>1.22* + 0,0000</b>	x F(GHz) Maxi
Insertion loss	-	$\sqrt{F}$ (GHz) dB Maxi
RF leakage	- ( <b>NA</b> )	- F(GHz)) dB Maxi
Voltage rating	<b>1000</b>	Veff Maxi
Dielectric withstanding voltage	<b>3000</b>	Veff mini
Insulation resistance	<b>5000</b>	M $\Omega$ mini

### MECHANICAL CHARACTERISTICS

Center contact retention		
Axial force – Mating End	-	N mini
Axial force – Opposite end	-	N mini
Torque	-	N.cm mini
Recommended torque		
Mating	-	N.cm
Panel nut	-	N.cm
Clamp nut	<b>800</b>	N.cm
A/F clamp nut	<b>16,0000</b>	mm
Mating life	<b>500</b>	Cycles mini
Weight	<b>67,0000</b>	g

### ENVIRONMENTAL

Operating temperature	<b>-55/+155</b>	$^{\circ}\text{C}$
Hermetic seal	<b>NA</b>	Atm.cm3/s
Panel leakage	<b>NA</b>	

### SPECIFICATION

### CABLE ASSEMBLY

Stripping	a	b	c	d	e	f
mm	<b>3</b>	<b>6,5</b>	<b>0</b>	<b>0</b>	<b>1,5</b>	<b>0</b>

Assembly instruction: **Clamp 02**

Recommended cable(s)

**RG 213**  
**KX 4**  
**RG 214**  
**KX 13**  
**RG 225**  
**KX 24**  
**RG 165**

Characteristics indicated on this data sheet are those that can be achieved with the highest performance cable. Intrinsic limitations of the cable may diminish the performance of the assembly

Cable retention

- pull off	<b>300</b>	N mini
- torque	<b>NA</b>	N.cm

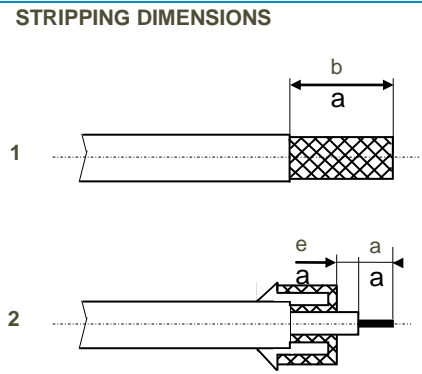
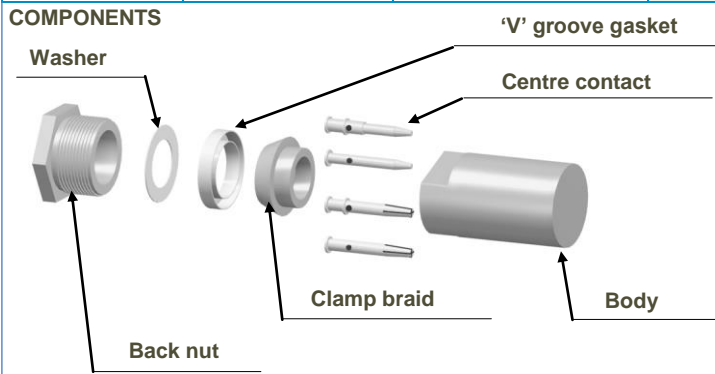
### TOOLING

Part Number	Description	Hexagon
.	.	.

### OTHER CHARACTERISTICS

**\*DC-3Ghz**

PAGE 3/3	ISSUE 30-03-16S	SERIES C	PART NUMBER R166168000
----------	-----------------	----------	------------------------



**1**

Strip the cable as shown in sketch 1.

**4**

Slide the back nut over the cable assembly. Slide the centre contact onto the inner conductor.

**2**

Slide the back nut, the washer and the 'V' groove gasket onto the cable. Slide the clamp braid sleeve over the braid.

**5**

Solder the centre contact onto the inner conductor.

**3**

Fold the braid back and trim off the extra braid. Trim dielectric back as shown in sketch 2.

**6**

Screw sub-assembly into the connector body with the adapted wrench. Recommended coupling torque ( see connector TDS ).

## X-ON Electronics

Largest Supplier of Electrical and Electronic Components

*Click to view similar products for [RF Connectors / Coaxial Connectors](#) category:*

*Click to view products by [Radiall](#) manufacturer:*

Other Similar products are found below :

[8915-1511-000](#) [89674-0827](#) [6001-7071-019](#) [6002-7051-003](#) [6002-7551-202](#) [6059674-1](#) [619550-1](#) [630059-000](#) [M39030/3-01N](#) [6500-7071-046](#) [6769](#) [CX050L2AQ](#) [7002-1541-010](#) [7002-1542-011](#) [7004-1512-000](#) [7009-1511-004](#) [7010-1511-000](#) [7029-1511-060](#) [7101-1541-010](#) [7101-1571-002](#) [7145-1521-002](#) [7203-1571-003](#) [7209-1511-011](#) [7210-1511-015](#) [7210-1511-019](#) [73137-5015](#) [73216-2241](#) [73404-2300](#) [7405-1521-005](#) [7405-1521-802](#) [8527](#) [8547](#) [FS11V](#) [877931](#) [8808-1511-001](#) [9049-9513-000](#) [9074-9513-000](#) [9101-9573-002](#) [910A205F](#) [9130-9573-002](#) [PL11SC-026](#) [PL375-33](#) [PL40-5](#) [PL74C-221](#) [PL75MC-217](#) [PL803-7](#) [980-8666-005](#) [1200690078](#) [1-201144-1](#) [R107003010W](#)