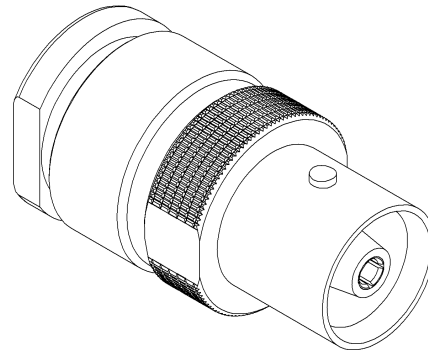
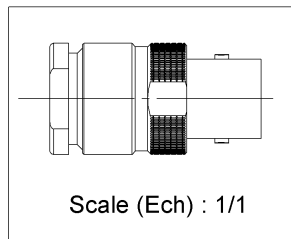
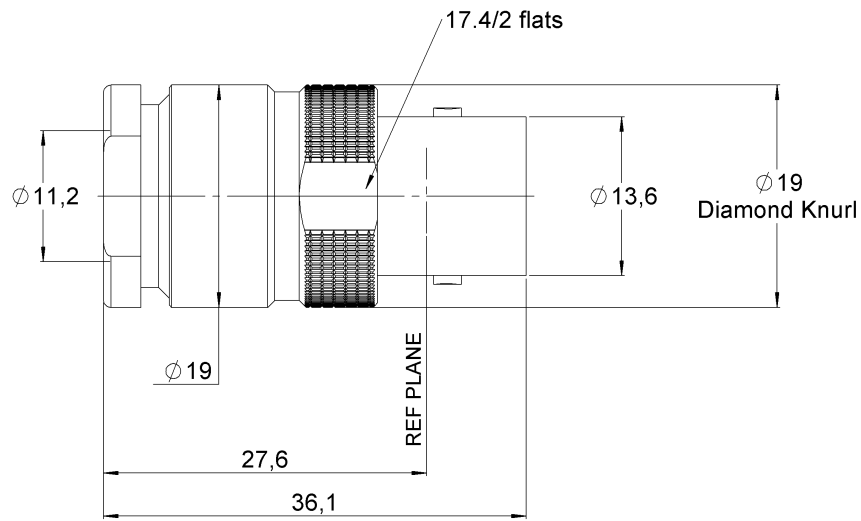
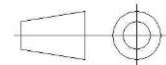


PAGE 1/3	ISSUE 04-04-16L	SERIES C	PART NUMBER R166218000
----------	-----------------	----------	------------------------



All dimensions are in mm.



COMPONENTS	MATERIALS	PLATING (µm)
Body	BRASS.	NICKEL 2
Center contact	BRASS.	GOLD 0.5 OVER NICKEL 2
Outer contact	BRONZE	NICKEL 2
Insulator	PTFE	
Gasket	SILICONE	
Others parts	BRASS.	NICKEL 2
-	-	-
-	-	-

PAGE 2/3	ISSUE 04-04-16L	SERIES C	PART NUMBER R166218000
-----------------	------------------------	-----------------	-------------------------------

PACKAGING

Standard	Unit	Other
1	Contact us	Contact us

ELECTRICAL CHARACTERISTICS

Impedance	50	Ω
Frequency	0-11	GHz
VSWR	1.2 + 0,0000	x F(GHz) Maxi
Insertion loss	0.05	\sqrt{F} (GHz) dB Maxi
RF leakage	- (NA)	- F(GHz)) dB Maxi
Voltage rating	1000	Veff Maxi
Dielectric withstanding voltage	3000	Veff mini
Insulation resistance	5000	M Ω mini

MECHANICAL CHARACTERISTICS

Center contact retention		
Axial force – Mating End	NA	N mini
Axial force – Opposite end	NA	N mini
Torque	NA	N.cm mini
Recommended torque		
Mating	NA	N.cm
Panel nut	NA	N.cm
Clamp nut	800	N.cm
A/F clamp nut	16,0000	mm
Mating life	500	Cycles mini
Weight	38,0000	g

ENVIRONMENTAL

Operating temperature	-55/+155	$^{\circ}\text{C}$
Hermetic seal	NA	Atm.cm3/s
Panel leakage	NA	

SPECIFICATION

CABLE ASSEMBLY

Stripping	a	b	c	d	e	f
mm	4	7,5	0	0	1,5	0

Assembly instruction: **Clamp 02**

Recommended cable(s)

RG 213
KX 4
RG 214
KX 13
RG 225
KX 24
RG 165

Characteristics indicated on this data sheet are those that can be achieved with the highest performance cable. Intrinsic limitations of the cable may diminish the performance of the assembly

Cable retention

- pull off	300	N mini
- torque	NA	N.cm

TOOLING

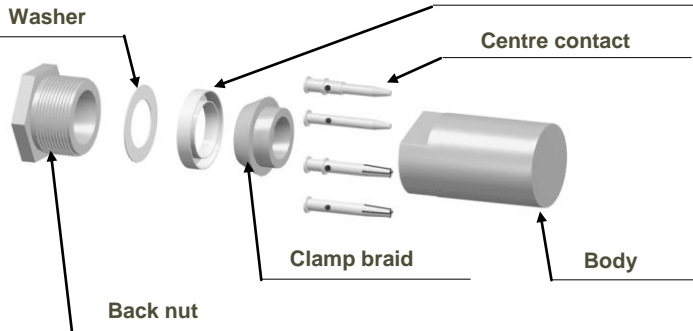
Part Number	Description	Hexagon
.	.	.

OTHER CHARACTERISTICS

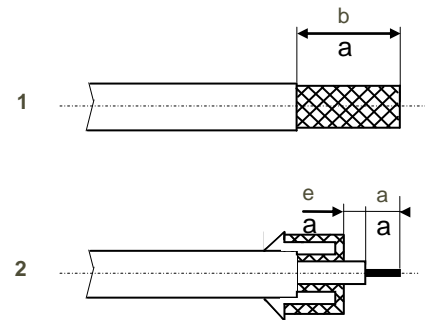
-

PAGE 3/3	ISSUE 04-04-16L	SERIES C	PART NUMBER R166218000
----------	-----------------	----------	------------------------

COMPONENTS

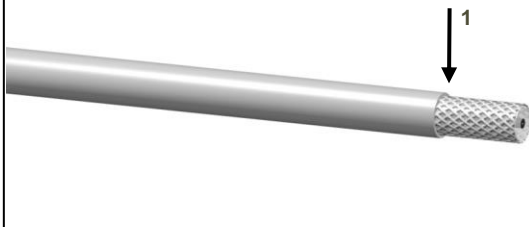


STRIPPING DIMENSIONS



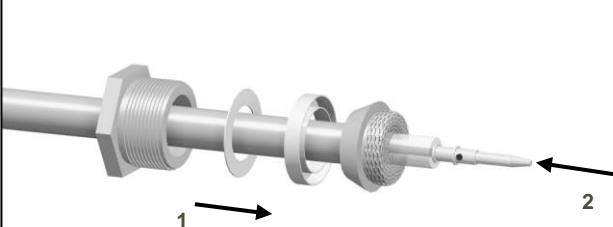
1

Strip the cable as shown in sketch 1.



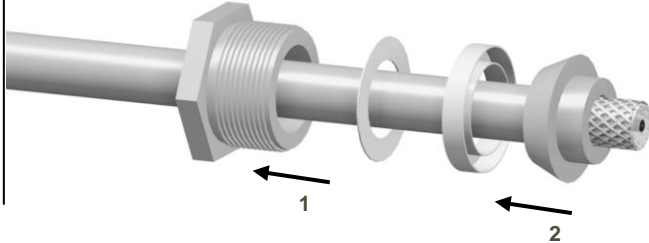
4

Slide the back nut over the cable assembly. Slide the centre contact onto the inner conductor.



2

Slide the back nut, the washer and the 'V' groove gasket onto the cable. Slide the clamp braid sleeve over the braid.



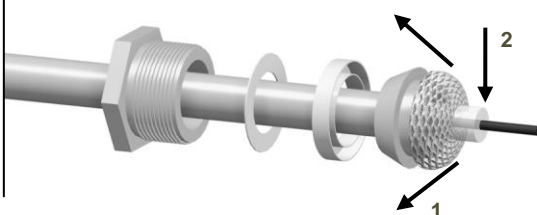
5

Solder the centre contact onto the inner conductor.



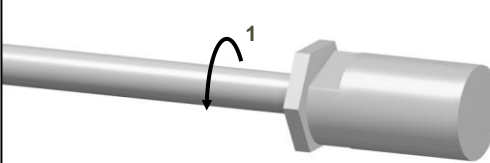
3

Fold the braid back and trim off the extra braid. Trim dielectric back as shown in sketch 2.



6

Screw sub-assembly into the connector body with the adapted wrench. Recommended coupling torque (see connector TDS).



X-ON Electronics

Largest Supplier of Electrical and Electronic Components

Click to view similar products for [RF Connectors / Coaxial Connectors](#) category:

Click to view products by [Radiall](#) manufacturer:

Other Similar products are found below :

[8915-1511-000](#) [89674-0827](#) [6001-7071-019](#) [6002-7051-003](#) [6002-7551-202](#) [6059674-1](#) [619550-1](#) [630059-000](#) [M39030/3-01N](#) [6500-7071-046](#) [6769](#) [CX050L2AQ](#) [7002-1541-010](#) [7002-1542-011](#) [7004-1512-000](#) [7009-1511-004](#) [7010-1511-000](#) [7029-1511-060](#) [7101-1541-010](#) [7101-1571-002](#) [7145-1521-002](#) [7203-1571-003](#) [7209-1511-011](#) [7210-1511-015](#) [7210-1511-019](#) [73137-5015](#) [73216-2241](#) [73404-2300](#) [7405-1521-005](#) [7405-1521-802](#) [8527](#) [8547](#) [FS11V](#) [877931](#) [8808-1511-001](#) [9049-9513-000](#) [9074-9513-000](#) [9101-9573-002](#) [910A205F](#) [9130-9573-002](#) [PL11SC-026](#) [PL375-33](#) [PL40-5](#) [PL74C-221](#) [PL75MC-217](#) [PL803-7](#) [980-8666-005](#) [1200690078](#) [1-201144-1](#) [R107003010W](#)