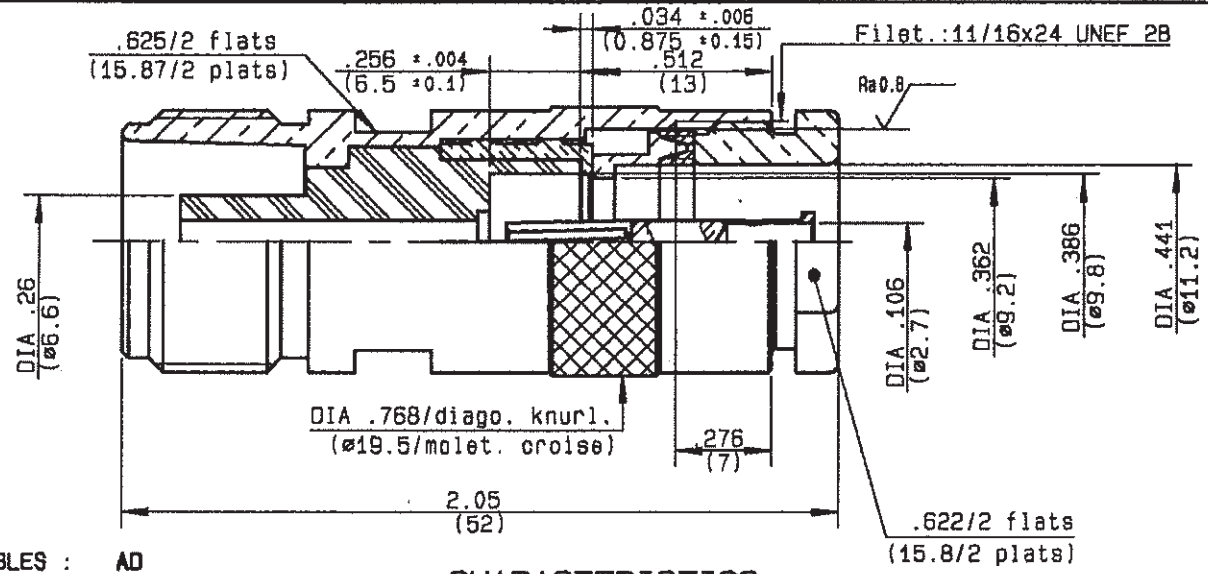


STRAIGHT CABLE JACK-CLAMP TYPE  
CABLE 10+11/50



CABLES : AD

CHARACTERISTICS

NOMINAL IMPEDANCE	25	Ω
FREQUENCY RANGE	0-3	GHz
TEMPERATURE RATING	-55/+155	°C
VSWR	TBD +	0 x F(GHz)Max1
RF INSERTION LOSS	TBD	√F(GHz) dB Max1
VOLTAGE RATING	1500	V <sub>rms</sub> Max
DIELECTRIC WITHSTANDING VOLTAGE	5000	V <sub>rms</sub> min
INSULATION RESISTANCE(800Vdc)	10	6 MΩ min
HERMETIC SEAL	-	oo/s
LEAKAGE (pressurized only)	NA	Atm.cm3/s
WEIGHT	0	g

STANDARDISATION	-	-
CABLE RETENTION	44.9	lb min
	200	N
CENTER CONTACT RETENTION		
Axial force - mating end	0	lb min
	NA	N
Axial force - opposite end	6.06	lb min
	27	N
Torque (Min)	0	Inch.oz
	NA	cm.N
RECOMMENDED TORQUES		
Mating	0	inch.lb
	NA	cm.N
Panel nut	0	inch.lb
	NA	cm.N
Clamp nut	70.8	inch.lb
	800	cm.N

CONSTRUCTION

CONNECTOR PARTS	MATERIALS	FINISH
BODY	BRASS	NICKEL
OUTER CONTACT	-	-
CENTER CONTACT	BERYLLIUM COPPER	GOLD OVER NICKEL
INSULATOR	CERAMICS	-
GASKET	SILICONE RUBBER	-
COUPLING NUT	BRASS	NICKEL
-	-	-
-	-	-
-	-	-

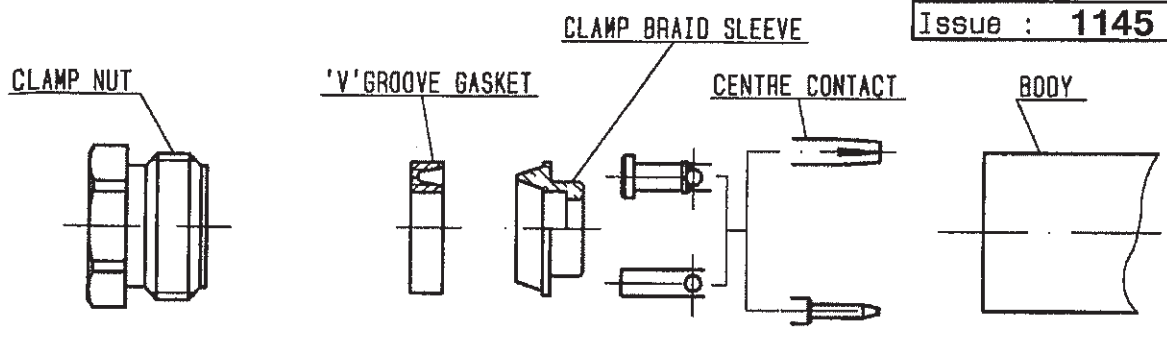
ISSUE	REVISION No	DESCRIPTION	BY	DATE
-	-	-	-	-
-	-	-	-	-
1145	B	50 Ohms > 25 Ohms	TRIEPIER	08/11/11

Initiated on 27/01/95  
Approval by BONOMINI

The information given here is subject to change without notice. Design changes may be in order to improve the product.



94-0005-016



①

Strip the cable .

-  
-  
-

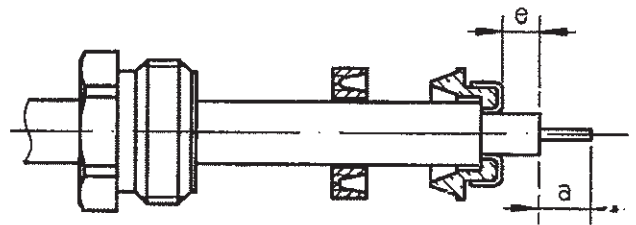


Stripping	a	b	c	d	e
inch	0.236	0.598	0	0	0.283
mm	6	15.2	-	-	7.2

②

Slide the clamp nut and the 'V' groove gasket onto the cable .  
Slide clamp braid sleeve over braid .  
Fold back braid and trim off surplus braid .  
Trim back dielectric as shown .

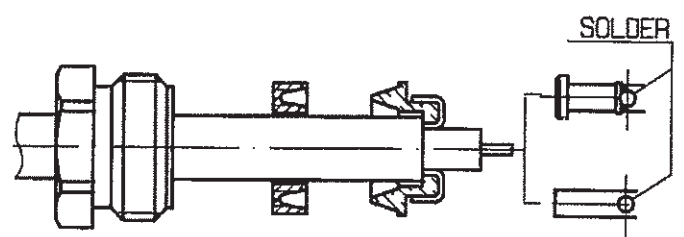
-  
-  
-



③

Solder the cable inner conductor into centre contact .

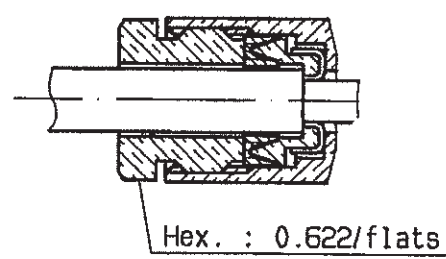
-  
-  
-  
-  
-



④

Screw sub-assembly into the connector body .  
( recommended coupling torque 70.8 in.lb )

-  
-



## X-ON Electronics

Largest Supplier of Electrical and Electronic Components

*Click to view similar products for [RF Connectors / Coaxial Connectors](#) category:*

*Click to view products by [Radiall](#) manufacturer:*

Other Similar products are found below :

[8915-1511-000](#) [89674-0827](#) [6001-7071-019](#) [6002-7051-003](#) [6002-7551-202](#) [6059674-1](#) [619550-1](#) [630059-000](#) [M39030/3-01N](#) [6500-7071-046](#) [6769](#) [CX050L2AQ](#) [7002-1541-010](#) [7002-1542-011](#) [7004-1512-000](#) [7009-1511-004](#) [7010-1511-000](#) [7029-1511-060](#) [7101-1541-010](#) [7101-1571-002](#) [7145-1521-002](#) [7203-1571-003](#) [7209-1511-011](#) [7210-1511-015](#) [7210-1511-019](#) [73137-5015](#) [73216-2241](#) [73404-2300](#) [7405-1521-005](#) [7405-1521-802](#) [8527](#) [8547](#) [FS11V](#) [877931](#) [8808-1511-001](#) [9049-9513-000](#) [9074-9513-000](#) [9101-9573-002](#) [910A205F](#) [9130-9573-002](#) [PL11SC-026](#) [PL375-33](#) [PL40-5](#) [PL74C-221](#) [PL75MC-217](#) [PL803-7](#) [980-8666-005](#) [1200690078](#) [1-201144-1](#) [R107003010W](#)