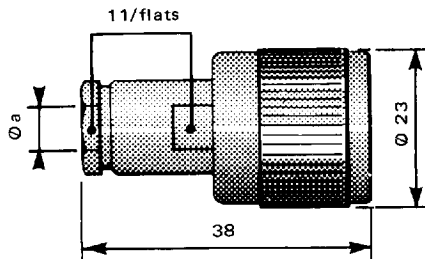
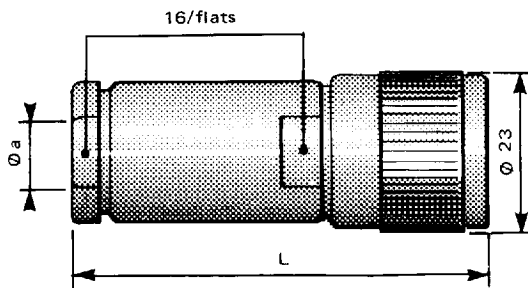


CODE No.	UG. REF.	T Y P E	CABLE GROUP Ω	ASSEMBLY CODE	MAX. ϕ_a	WEIGHT (g)
----------	----------	---------	-------------------------	---------------	---------------	------------

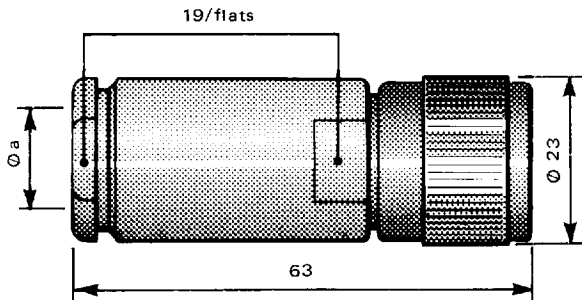
STRAIGHT PLUGS



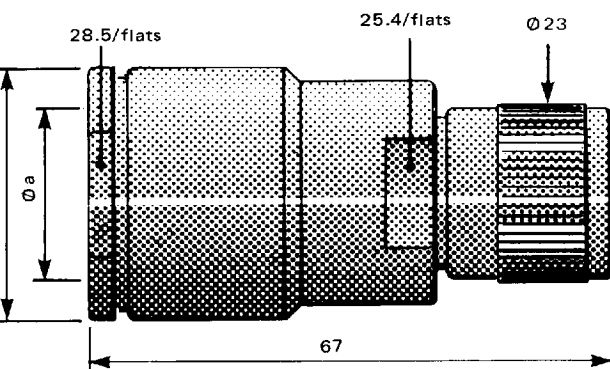
R 176 006		Cable clamp - shouldered centre contact	5/50 Ω	M01	5,6	48
R 176 012		Cable clamp - shouldered centre contact	6/75 + 93 Ω	M01	6,5	47
R 176 012 150		Cable clamp - shouldered centre contact Ceramic insulator	6/75 + 93 Ω		6,5	47



R 176 018		Cable clamp - shouldered centre contact	10/50 Ω 11/50 Ω	M02	11,2	72
L = 49						
R 176 019	UG.59B/U	Cable clamp - shouldered centre contact	10/50 Ω 11/50 Ω	M03	11,2	83
L = 56,5						
R 176 021		Cable clamp - shouldered centre contact	10/50 Ω 11/50 Ω	M05	11,2	80
L = 53						



R 176 027	UG.494A/U	Cable clamp - shouldered centre contact	14/50 Ω	M04	14,4	95
R 176 027 150		Cable clamp - shouldered centre contact Ceramic insulator	14/50 Ω		14,4	100



R 176 029	UG.495B/U	Cable clamp - shouldered centre contact	22/50 Ω	M04	22,9	184
-----------	-----------	---	----------------	-----	------	-----

Non standard (see note page 3)

HN series

CODE No.	UG. REF.	T Y P E	CABLE GROUP Ω	ASSEMBLY CODE	MAX. ϕ_a	WEIGHT (g)
----------	----------	---------	-------------------------	---------------	---------------	------------

STRAIGHT JACK

R 176 218	UG.60D/U	Cable clamp - shouldered centre contact	10/50 Ω 11/50 Ω	M03	11,2	66
-----------	----------	---	----------------------------------	-----	------	----

STRAIGHT FLANGE JACK

R 176 268	UG.61D/U	Cable clamp	10/50 Ω 11/50 Ω	M03	11,2	75
-----------	----------	-------------	----------------------------------	-----	------	----

FLANGE RECEPTACLE

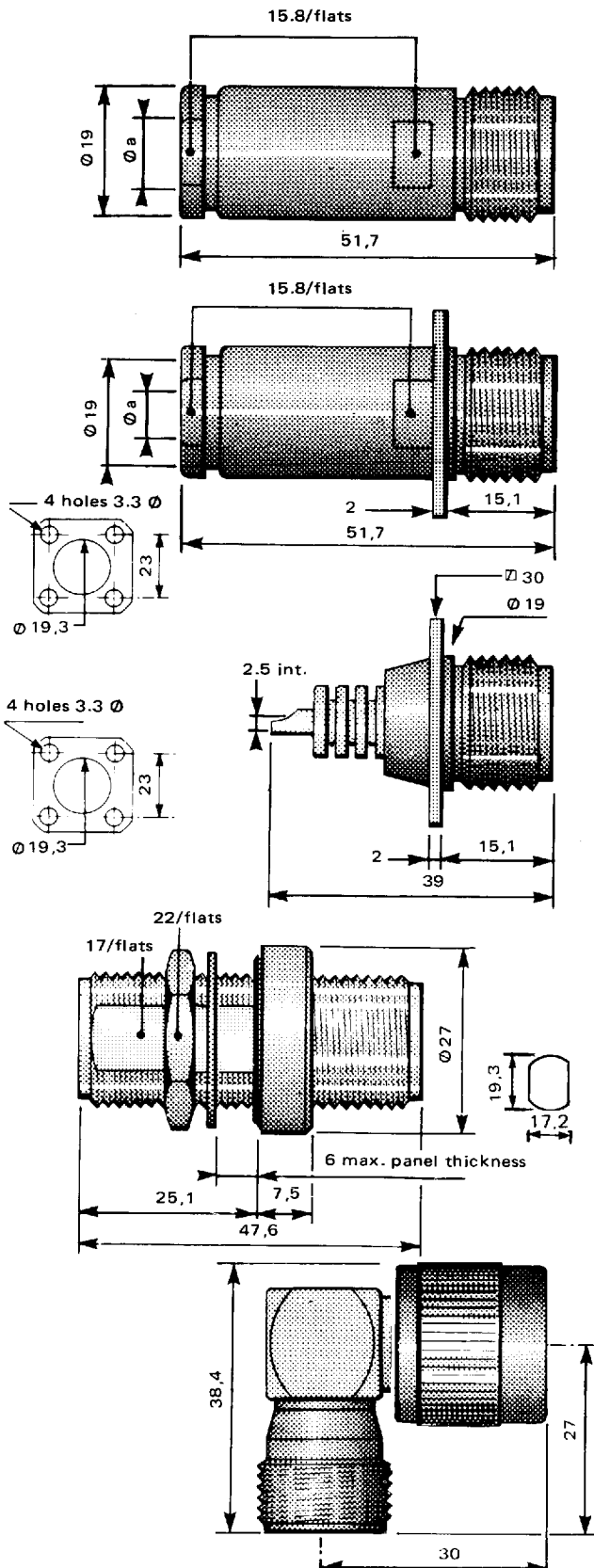
R 176 404	UG.496/U	Square flange - solder pot				38
-----------	----------	----------------------------	--	--	--	----

ADAPTORS

R 176 754		Bulkhead female - female, splashproof panel seal				80
-----------	--	--	--	--	--	----

R 176 754 150		Bulkhead female - female, splashproof panel seal Ceramic insulator				80
---------------	--	---	--	--	--	----

R 176 770	UG.212C/U	Elbow male - female				73
-----------	-----------	---------------------	--	--	--	----



X-ON Electronics

Largest Supplier of Electrical and Electronic Components

Click to view similar products for [RF Adapters - In Series category:](#)

Click to view products by [Radiall manufacturer:](#)

Other Similar products are found below :

[5916-1103-603](#) [5919-1503-000](#) [5919-9503-000](#) [651A505](#) [82-5552](#) [9030-9523-502](#) [PN2C](#) [A0407000](#) [R114703000W](#) [R125771001](#)
[R127871001](#) [R141710000W](#) [R141723161](#) [R141730000](#) [R143730700](#) [R143770000](#) [R161703000W](#) [R161753000W](#) [R161791530W](#)
[R201705000](#) [R222705200](#) [R222M40010W](#) [R222M40050](#) [R223703180](#) [R316754000](#) [R405006000](#) [R443162000](#) [AD78TL](#) [HRM-513S](#)
[1996352-2](#) [2157155-1](#) [252169-75](#) [AD158](#) [2101130-1](#) [252186](#) [R114704000W](#) [R114720000W](#) [R125705001](#) [R125705701](#) [R125771000](#)
[R125771001W](#) [R127704001](#) [R127.870.001](#) [R127872001](#) [R141717000](#) [R142710000](#) [R142723000](#) [R143703000](#) [R143704000](#) [R143705700](#)