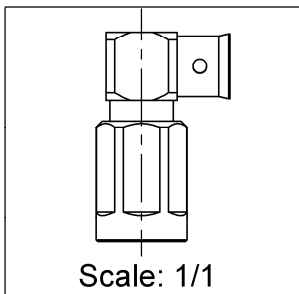
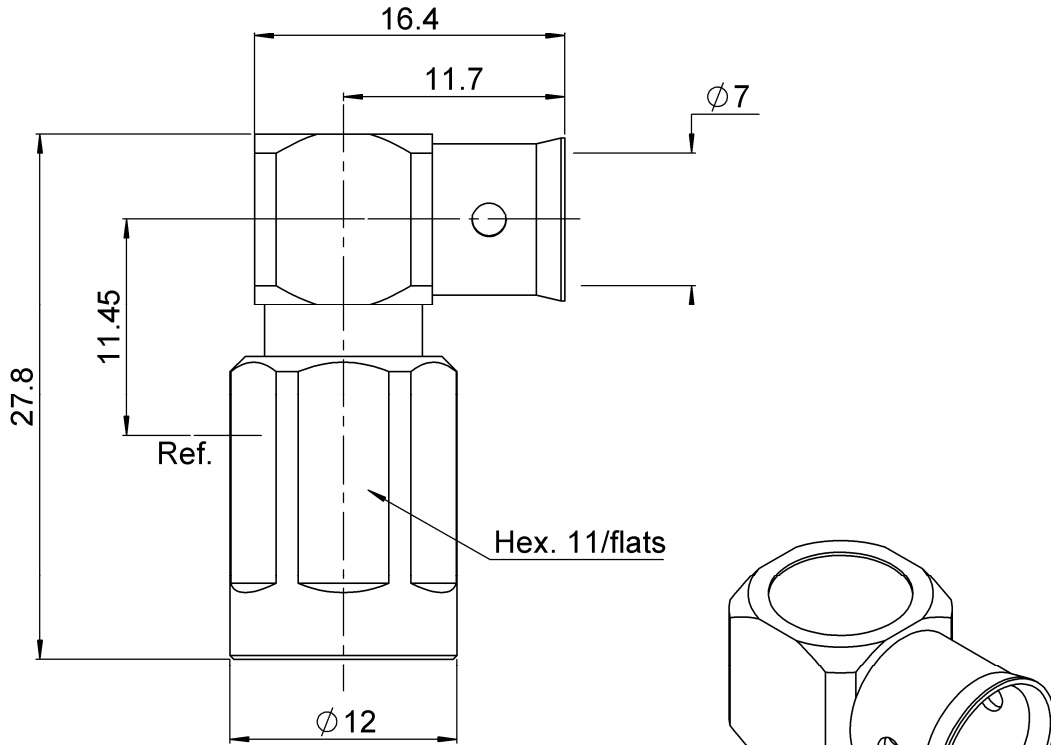
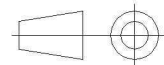


PAGE 1/2	ISSUE 16-03-17A	SERIES NEX10	PART NUMBER 20176400-20
----------	-----------------	--------------	-------------------------



All dimensions are in mm.



COMPONENTS	MATERIALS	PLATING (µm)
Body	<b>BRASS.</b>	<b>BBR</b>
Center contact	<b>BRASS.</b>	<b>SILVER</b>
Outer contact	<b>BERYLLIUM COPPER</b>	<b>SILVER</b>
Insulator	<b>PTFE</b>	
Gasket	<b>SILICONE RUBBER</b>	
Others parts	<b>BRASS,BRONZE</b>	<b>BBR</b>
-	-	-
-	-	-

PAGE 2/2	ISSUE 16-03-17A	SERIES NEX10	PART NUMBER 20176400-20
----------	-----------------	--------------	-------------------------

### PACKAGING

Standard	Unit	Other
50	Contact us	Contact us

### ELECTRICAL CHARACTERISTICS

Impedance		50	Ω
Frequency		0-6	GHz
VSWR	TBD +	0.0000	x F(GHz) Maxi
Insertion loss		0.05	√F(GHz) dB Maxi
RF leakage	- (	NA	- F(GHz)) dB Maxi
Voltage rating		500	Veff Maxi
Dielectric withstanding voltage		1500	Veff mini
Insulation resistance		5000	MΩ mini

### MECHANICAL CHARACTERISTICS

Center contact retention			
Axial force – Mating End		NA	N mini
Axial force – Opposite end		NA	N mini
Torque		NA	N.cm mini
Recommended torque			
Mating		300	N.cm
Panel nut		NA	N.cm
Clamp nut		NA	N.cm
A/F clamp nut		0.0000	mm
Mating life		100	Cycles mini
Weight		13.4620	g

### ENVIRONMENTAL

Operating temperature	-55/+125	°C
Hermetic seal	NA	Atm.cm3/s
Panel leakage	NA	

### SPECIFICATION

### CABLE ASSEMBLY

Stripping	a	b	c	d	e	f
mm	5	9	0	0	0	0

Assembly instruction: NA

Recommended cable(s)

Characteristics indicated on this data sheet are those that can be achieved with the highest performance cable. Intrinsic limitations of the cable may diminish the performance of the assembly

Cable retention

- pull off	250	N mini
- torque	NA	N.cm

### TOOLING

Part Number	Description	Hexagon
.	.	.

### OTHER CHARACTERISTICS

IP68(1m,24h) mated condition

Return loss for interface:

0 to 3GHz: >=36dB

6 to 10GHz: >=30dB

10 to 20GHz: >=20dB

## X-ON Electronics

Largest Supplier of Electrical and Electronic Components

*Click to view similar products for [RF Connectors / Coaxial Connectors](#) category:*

*Click to view products by [Radiall](#) manufacturer:*

Other Similar products are found below :

[8915-1511-000](#) [89674-0827](#) [6001-7071-019](#) [6002-7051-003](#) [6002-7551-202](#) [6059674-1](#) [619550-1](#) [630059-000](#) [M39030/3-01N](#) [6500-7071-046](#) [6769](#) [CX050L2AQ](#) [7002-1541-010](#) [7002-1542-011](#) [7004-1512-000](#) [7009-1511-004](#) [7010-1511-000](#) [7029-1511-060](#) [7101-1541-010](#) [7101-1571-002](#) [7145-1521-002](#) [7203-1571-003](#) [7209-1511-011](#) [7210-1511-015](#) [7210-1511-019](#) [73137-5015](#) [73216-2241](#) [73404-2300](#) [7405-1521-005](#) [7405-1521-802](#) [8527](#) [8547](#) [FS11V](#) [877931](#) [8808-1511-001](#) [9049-9513-000](#) [9074-9513-000](#) [9101-9573-002](#) [910A205F](#) [9130-9573-002](#) [PL11SC-026](#) [PL375-33](#) [PL40-5](#) [PL74C-221](#) [PL75MC-217](#) [PL803-7](#) [1200690078](#) [1-201144-1](#) [R107003010W](#) [R110A172100](#)