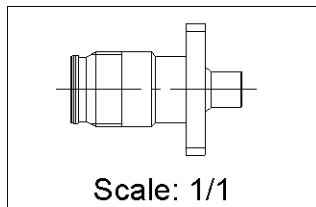
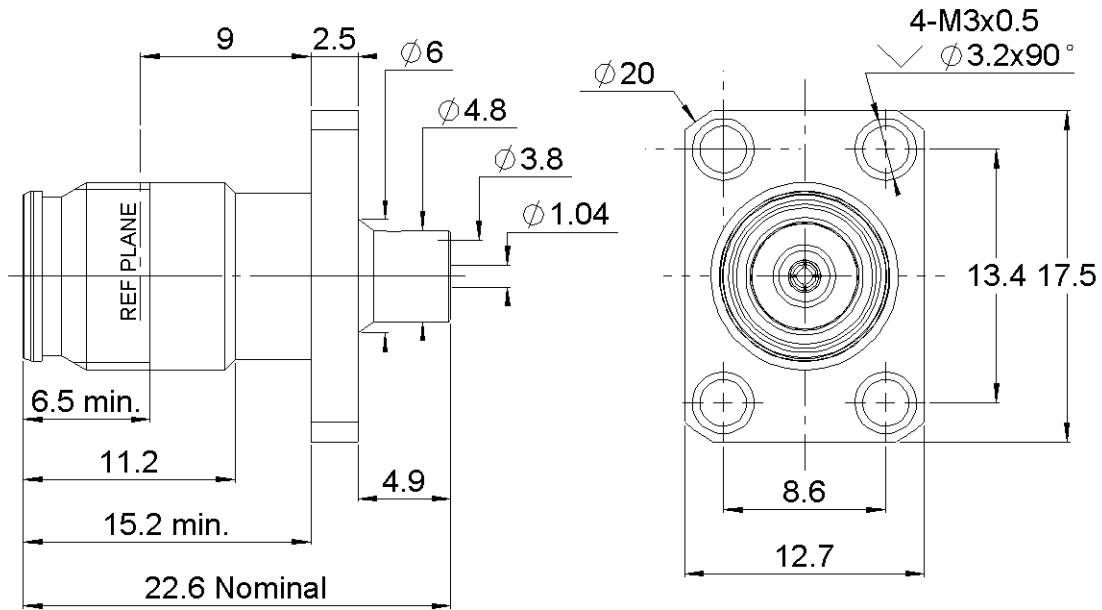
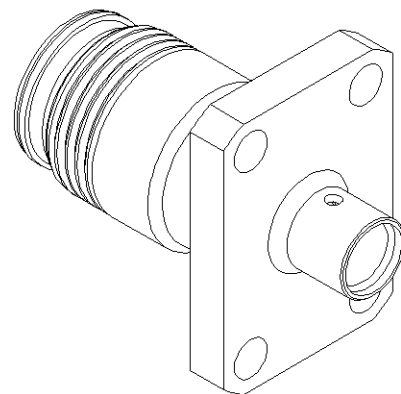


| | | | |
|----------|-----------------|--------------|------------------------|
| PAGE 1/3 | ISSUE 28-06-17B | SERIES NEX10 | PART NUMBER R180252007 |
|----------|-----------------|--------------|------------------------|

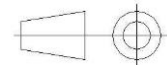


PANEL CUT OUT

| | mm | |
|---|--------|-------|
| | Maxi | mini |
| A | 6.7 | 6.5 |
| B | M3x0.5 | |
| C | 8.65 | 8.55 |
| D | 13.45 | 13.35 |



All dimensions are in mm. Tolerances according ISO 2768 m-H



| COMPONENTS | MATERIALS | PLATING (μm) |
|----------------|-------------------------|---------------------------|
| Body | BRASS. | BBR |
| Center contact | BERYLLIUM COPPER | SILVER |
| Outer contact | | |
| Insulator | PTFE | |
| Gasket | | |
| Others parts | | |
| - | - | - |
| - | - | - |

| | | | |
|-----------------|------------------------|---------------------|-------------------------------|
| PAGE 2/3 | ISSUE 28-06-17B | SERIES NEX10 | PART NUMBER R180252007 |
|-----------------|------------------------|---------------------|-------------------------------|

PACKAGING

| | | |
|-----------------------|---------------------------|----------------------------|
| Standard 50 | Unit Contact us | Other Contact us |
|-----------------------|---------------------------|----------------------------|

ELECTRICAL CHARACTERISTICS

| | | |
|---------------------------------|-----------------------|-------------------|
| Impedance | 50 | Ω |
| Frequency | 0-20 | GHz |
| VSWR | 1.02* + 0.0200 | x F(GHz) Maxi |
| Insertion loss | 0.05 | √F(GHz) dB Maxi |
| RF leakage | - (NA) | - F(GHz)) dB Maxi |
| Voltage rating | 500 | Veff Maxi |
| Dielectric withstanding voltage | 1500 | Veff mini |
| Insulation resistance | 5000 | MΩ mini |

MECHANICAL CHARACTERISTICS

| | | |
|----------------------------|---------------|-------------|
| Center contact retention | | |
| Axial force – Mating End | NA | N mini |
| Axial force – Opposite end | NA | N mini |
| Torque | NA | N.cm mini |
| Recommended torque | | |
| Mating | NA | N.cm |
| Panel nut | NA | N.cm |
| Clamp nut | NA | N.cm |
| A/F clamp nut | 0.0000 | mm |
| Mating life | 100 | Cycles mini |
| Weight | 9.8000 | g |

ENVIRONMENTAL

| | | |
|-----------------------|-----------------|-----------|
| Operating temperature | -55/+125 | °C |
| Hermetic seal | NA | Atm.cm3/s |
| Panel leakage | NA | |

SPECIFICATION

CABLE ASSEMBLY

| Stripping | a | b | c | d | e | f |
|-----------|------------|----------|----------|----------|-------------|----------|
| mm | 3.2 | 0 | 0 | 0 | 0.85 | 0 |

Assembly instruction:

Recommended cable(s)

RG 402

Characteristics indicated on this data sheet are those that can be achieved with the highest performance cable. Intrinsic limitations of the cable may diminish the performance of the assembly

Cable retention

| | | |
|------------|------------|--------|
| - pull off | 200 | N mini |
| - torque | NA | N.cm |

TOOLING

| Part Number | Description | Hexagon |
|-------------|-------------|---------|
| . | . | . |

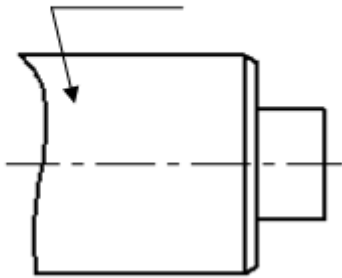
OTHER CHARACTERISTICS

PIM3<=-123 dBm, 2 carriers of +43dBm

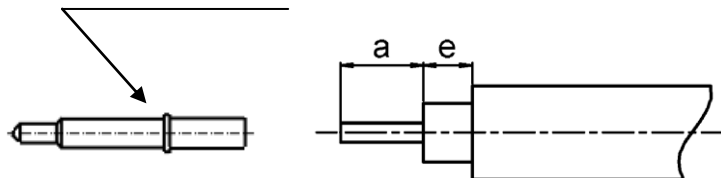
| | | | |
|----------|-----------------|--------------|------------------------|
| PAGE 3/3 | ISSUE 28-06-17B | SERIES NEX10 | PART NUMBER R180252007 |
|----------|-----------------|--------------|------------------------|

COMPONENTS

BODY



CENTER CONTACT



1

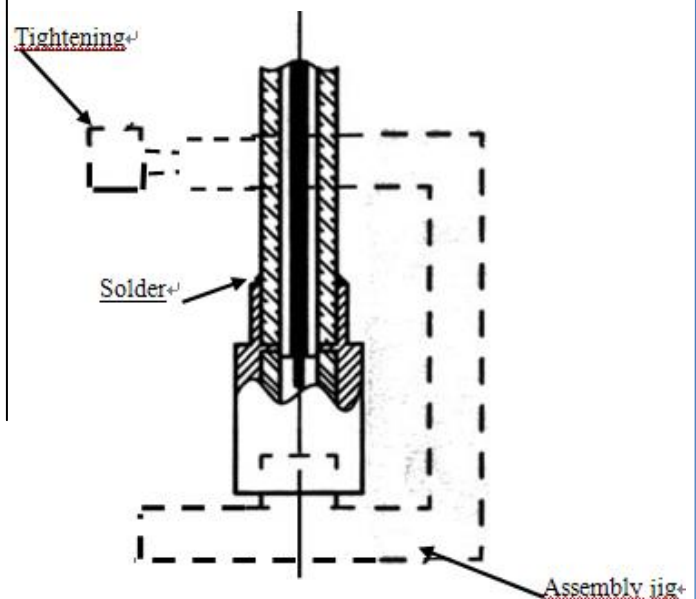
- Strip the cable with the cable stripping tool.
- Clean the cable

3

- Introduce the cable into the body until stop.
- Place the sub-assembly on assembly jig
- Solder body on the cable.
- Let assembly cool down before removing it from the jig.

2

- Insert center contact until the cable
- Solder center contact



X-ON Electronics

Largest Supplier of Electrical and Electronic Components

Click to view similar products for [RF Connectors / Coaxial Connectors](#) category:

Click to view products by [Radiall](#) manufacturer:

Other Similar products are found below :

[8915-1511-000](#) [89674-0827](#) [6001-7071-019](#) [6002-7051-003](#) [6002-7551-202](#) [6059674-1](#) [619550-1](#) [630059-000](#) [M39030/3-01N](#) [6500-7071-046](#) [6769](#) [CX050L2AQ](#) [7002-1541-010](#) [7002-1542-011](#) [7004-1512-000](#) [7009-1511-004](#) [7010-1511-000](#) [7029-1511-060](#) [7101-1541-010](#) [7101-1571-002](#) [7145-1521-002](#) [7203-1571-003](#) [7209-1511-011](#) [7210-1511-015](#) [7210-1511-019](#) [73137-5015](#) [73216-2241](#) [73404-2300](#) [7405-1521-005](#) [7405-1521-802](#) [8527](#) [8547](#) [FS11V](#) [877931](#) [8808-1511-001](#) [9074-9513-000](#) [9101-9573-002](#) [910A205F](#) [9130-9573-002](#) [PL11SC-026](#) [PL375-33](#) [PL40-5](#) [PL74C-221](#) [PL75MC-217](#) [PL803-7](#) [1200690078](#) [1-201144-1](#) [R107003010W](#) [R110A172100](#) [R112186000](#)