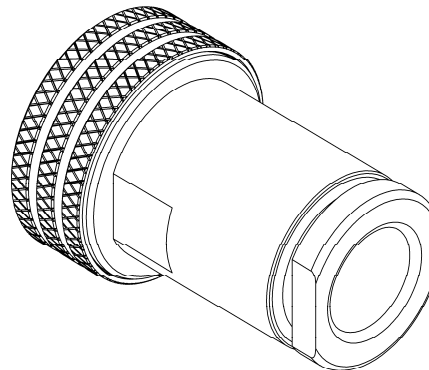
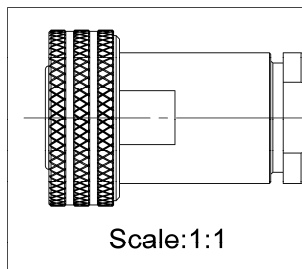
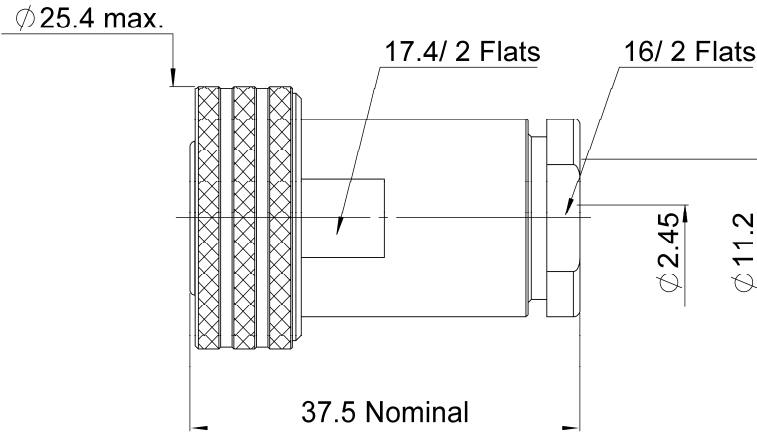
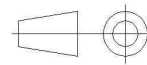


PAGE 1/2	ISSUE 1449A	SERIES 4.3-10	PART NUMBER R183010007
----------	-------------	---------------	-------------------------------



All dimensions are in mm.



COMPONENTS	MATERIALS	PLATING.(μm)
Body	BRASS	BBR
Center contact	BRASS	SILVER
Outer contact		
Insulator	PTFE	
Gasket	EPDM	
Others parts	BRASS	BBR
-	-	
-	-	

PAGE 2/2	ISSUE 1449A	SERIES 4.3-10	PART NUMBER R183010007
----------	-------------	---------------	-------------------------------

PACKAGING

Standard	Unit	Other
50	Contact us	Contact us

ELECTRICAL CHARACTERISTICS

Impedance	50	Ω
Frequency	0-6	GHz
VSWR	1.02 + 0.020	x F(GHz) Maxi
Insertion loss	0.05	√F(GHz) dB Maxi
RF leakage	NA	- F(GHz) dB Maxi
Voltage rating	1000	Veff Maxi
Dielectric withstanding voltage	2500	Veff mini
Insulation resistance	5000	MΩ mini

ENVIRONMENTAL

Operating temperature	-55~+90	°C
Hermetic seal	NA	Atm.cm3/s
Panel leakage	NA	

SPECIFICATION

MECHANICAL CHARACTERISTICS

Center contact retention		
Axial force – Mating End	30	N mini
Axial force – Opposite end	30	N mini
Torque	NA	N.cm mini
Recommended torque		
Mating	NA	N.cm
Panel nut	NA	N.cm
Clamp nut	800	N.cm
A/F clamp nut	16.000	mm
Mating life	100	Cycles mini
Weight	62.290	g

CABLE ASSEMBLY

Stripping	a	b	c	d	e	f
mm	4.5	8	0	0	1.5	0

Assembly instruction: **Clamp 02**

Recommended cable(s)

- RG 213**
- KX 4**
- RG 393**
- RG 214**
- KX 13**
- RG 225**
- RG 216**
- RG 165**

Characteristics indicated on this data sheet are those that can be achieved with the highest performance cable. Intrinsic limitations of the cable may diminish the performance of the assembly

Cable retention

- pull off	300	N mini
- torque	NA	N.cm

TOOLING

Part Number	Description	Hexagon
.	.	.

OTHER CHARACTERISTICS

IP 67 mated condition

X-ON Electronics

Largest Supplier of Electrical and Electronic Components

Click to view similar products for [RF Connectors / Coaxial Connectors](#) category:

Click to view products by [Radiall](#) manufacturer:

Other Similar products are found below :

[8915-1511-000](#) [89674-0827](#) [6001-7071-019](#) [6002-7051-003](#) [6002-7551-202](#) [6059674-1](#) [619550-1](#) [630059-000](#) [M39030/3-01N](#) [6500-7071-046](#) [6769](#) [CX050L2AQ](#) [7002-1541-010](#) [7002-1542-011](#) [7004-1512-000](#) [7009-1511-004](#) [7010-1511-000](#) [7029-1511-060](#) [7101-1541-010](#) [7101-1571-002](#) [7145-1521-002](#) [7203-1571-003](#) [7209-1511-011](#) [7210-1511-015](#) [7210-1511-019](#) [73137-5015](#) [73216-2241](#) [73404-2300](#) [7405-1521-005](#) [7405-1521-802](#) [8527](#) [8547](#) [FS11V](#) [877931](#) [8808-1511-001](#) [9049-9513-000](#) [9074-9513-000](#) [9101-9573-002](#) [910A205F](#) [9130-9573-002](#) [PL11SC-026](#) [PL375-33](#) [PL40-5](#) [PL74C-221](#) [PL75MC-217](#) [PL803-7](#) [1200690078](#) [1-201144-1](#) [R107003010W](#) [R110A172100](#)