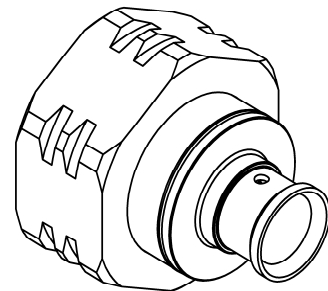
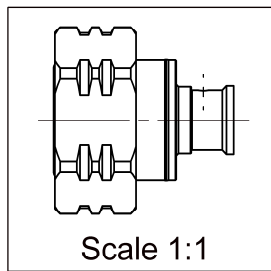
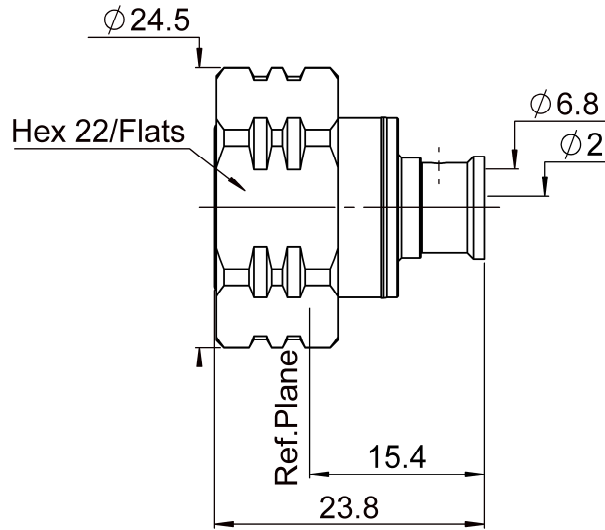
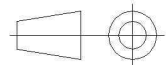


PAGE 1/3	ISSUE 17-02-15A	SERIES 4.3-10	PART NUMBER R183030017
----------	-----------------	---------------	------------------------



All dimensions are in mm.



COMPONENTS	MATERIALS	PLATING.( $\mu\text{m}$ )
Body	<b>BRASS</b>	<b>BBR</b>
Center contact	<b>BRASS</b>	<b>SILVER</b>
Outer contact		
Insulator	<b>PTFE</b>	
Gasket	<b>EPDM</b>	
Others parts	<b>BRASS</b>	<b>BBR</b>
-	-	-
-	-	-

PAGE 2/3	ISSUE 17-02-15A	SERIES 4.3-10	PART NUMBER R183030017
----------	-----------------	---------------	------------------------

### PACKAGING

Standard	Unit	Other
50	Contact us	Contact us

### ELECTRICAL CHARACTERISTICS

Impedance		<b>50</b>	Ω
Frequency		<b>0-6</b>	GHz
VSWR	<b>1.02</b> +	<b>0.0150</b>	x F(GHz) Maxi
Insertion loss		<b>0.05</b>	√F(GHz) dB Maxi
RF leakage	- (	<b>NA</b>	- F(GHz)) dB Maxi
Voltage rating		<b>850</b>	Veff Maxi
Dielectric withstanding voltage		<b>1500</b>	Veff mini
Insulation resistance		<b>5000</b>	MΩ mini

### MECHANICAL CHARACTERISTICS

Center contact retention			
Axial force – Mating End		<b>30</b>	N mini
Axial force – Opposite end		<b>30</b>	N mini
Torque		<b>NA</b>	N.cm mini
Recommended torque			
Mating		<b>500</b>	N.cm
Panel nut		<b>NA</b>	N.cm
Clamp nut		<b>NA</b>	N.cm
A/F clamp nut		<b>0.0000</b>	mm
Mating life	<b>100</b>		Cycles mini
Weight	<b>28.3760</b>		g

### ENVIRONMENTAL

Operating temperature	<b>-55~+90</b>	°C
Hermetic seal	<b>NA</b>	Atm.cm3/s
Panel leakage	<b>NA</b>	

### SPECIFICATION

### CABLE ASSEMBLY

Stripping	a	b	c	d	e	f
mm	<b>5.3</b>	<b>0</b>	<b>15</b>	<b>0</b>	<b>0</b>	<b>0</b>

Assembly instruction:

Recommended cable(s)

**HCF 1/4" Cu2Y AlCu**

Characteristics indicated on this data sheet are those that can be achieved with the highest performance cable. Intrinsic limitations of the cable may diminish the performance of the assembly

Cable retention

- pull off	<b>250</b>	N mini
- torque	<b>NA</b>	N.cm

### TOOLING

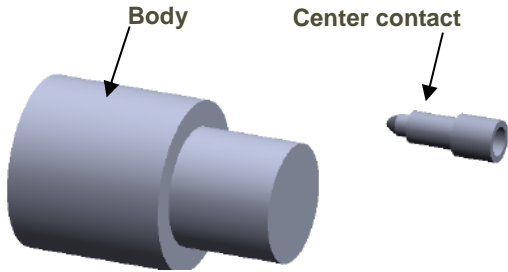
Part Number	Description	Hexagon
.	.	.

### OTHER CHARACTERISTICS

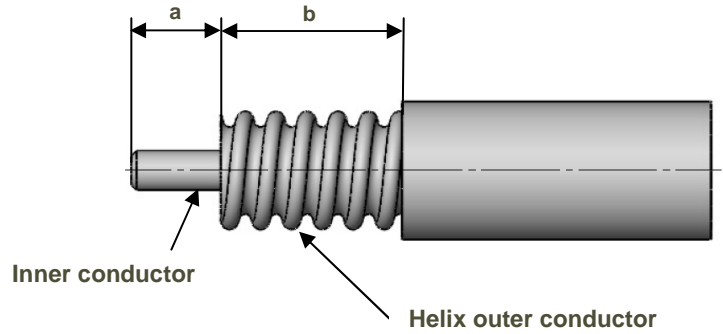
**IP67 mated condition**

PAGE 3/3	ISSUE 17-02-15A	SERIES 4.3-10	PART NUMBER R183030017
----------	-----------------	---------------	------------------------

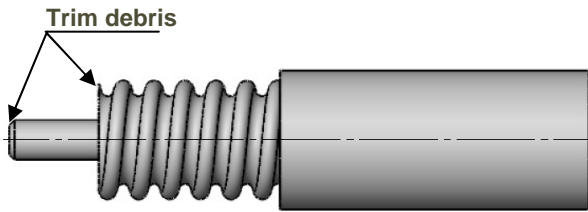
**COMPONENTS**



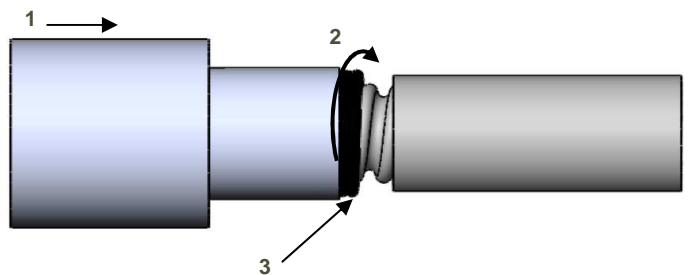
**STRIPPING DIMENSION**



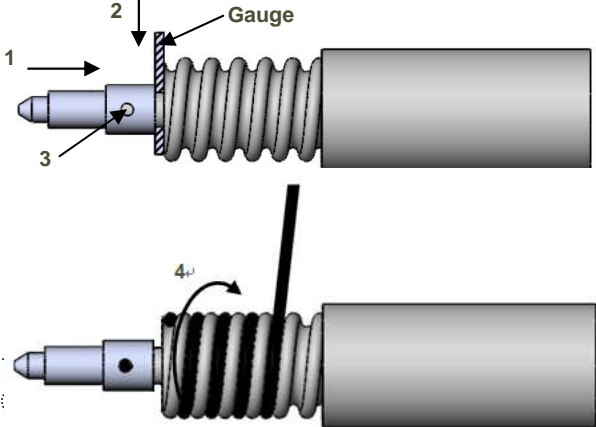
- 1**
- Strip the cable.
  - Do not damage the outer conductor.
  - The end surface of inner conductor should be chamfered.
  - Remove impurities such as copper scraps and burrs on the end surface of the cable.



- 3**
- Push the cable into the connector body, until it stops.
  - Use the reserved solder wire to wrap the cable to fill the space between cable and connector.
  - Solder the connector body with cable.



- 2**
- Insert center contact on the cable.
  - Put solder gauge(1.4mm) between center contact and cable. Push the center contact to the gauge until it stops
  - Solder center contact.
  - Wrap the cable by solder wire (D<sub>ca</sub> 0.8mm).



## X-ON Electronics

Largest Supplier of Electrical and Electronic Components

*Click to view similar products for [RF Connectors / Coaxial Connectors](#) category:*

*Click to view products by [Radiall](#) manufacturer:*

Other Similar products are found below :

[8915-1511-000](#) [89674-0827](#) [6001-7071-019](#) [6002-7051-003](#) [6002-7551-202](#) [6059674-1](#) [619550-1](#) [630059-000](#) [M39030/3-01N](#) [6500-7071-046](#) [6769](#) [CX050L2AQ](#) [7002-1541-010](#) [7002-1542-011](#) [7004-1512-000](#) [7009-1511-004](#) [7010-1511-000](#) [7029-1511-060](#) [7101-1541-010](#) [7101-1571-002](#) [7145-1521-002](#) [7203-1571-003](#) [7209-1511-011](#) [7210-1511-015](#) [7210-1511-019](#) [73137-5015](#) [73216-2241](#) [73404-2300](#) [7405-1521-005](#) [7405-1521-802](#) [8527](#) [8547](#) [FS11V](#) [877931](#) [8808-1511-001](#) [9074-9513-000](#) [9101-9573-002](#) [910A205F](#) [9130-9573-002](#) [PL11SC-026](#) [PL375-33](#) [PL40-5](#) [PL74C-221](#) [PL75MC-217](#) [PL803-7](#) [1200690078](#) [1-201144-1](#) [R107003010W](#) [R110A172100](#) [R112186000](#)