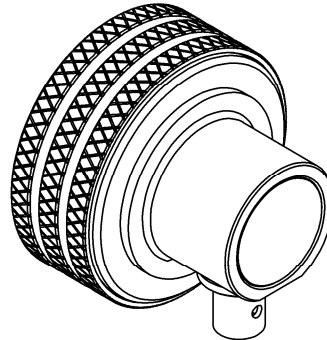
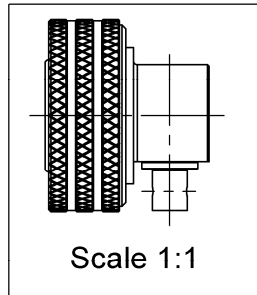
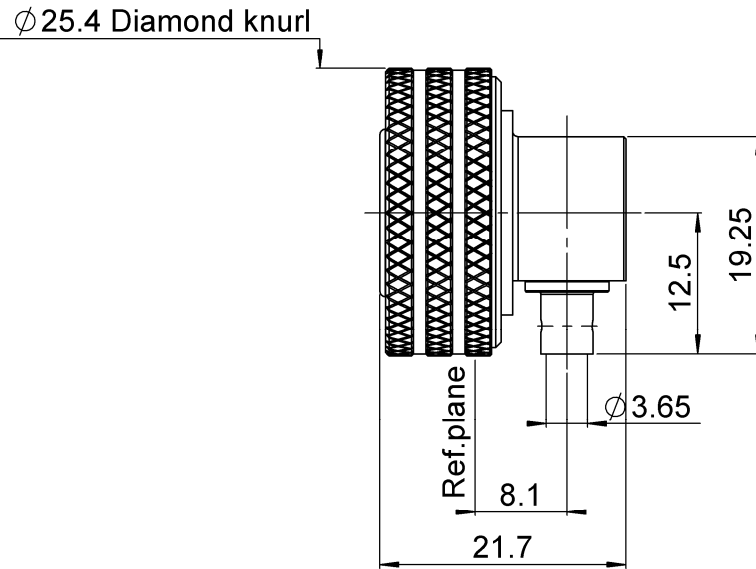
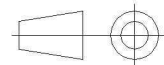


PAGE 1/3	ISSUE 1445A	SERIES 4.3/10	PART NUMBER R183197007
----------	-------------	---------------	------------------------



All dimensions are in mm.



COMPONENTS	MATERIALS	PLATING.(µm)
Body	BRASS	BBR
Center contact	BRASS	SILVER
Outer contact		
Insulator	PTFE	
Gasket	SILICONE RUBBER	
Others parts	BRASS	BBR
-		
-		

PAGE 2/3	ISSUE 1445A	SERIES 4.3/10	PART NUMBER R183197007
----------	-------------	---------------	-------------------------------

PACKAGING

Standard	Unit	Other
50	Contact us	Contact us

ELECTRICAL CHARACTERISTICS

Impedance	50	Ω
Frequency	0-6	GHz
VSWR	TBD + 0.0000	x F(GHz) Maxi
Insertion loss	0.05	√F(GHz) dB Maxi
RF leakage	- (NA	- F(GHz)) dB Maxi
Voltage rating	850	Veff Maxi
Dielectric withstanding voltage	1500	Veff mini
Insulation resistance	5000	MΩ mini

MECHANICAL CHARACTERISTICS

Center contact retention			
Axial force – Mating End	30	N mini	
Axial force – Opposite end	30	N mini	
Torque	NA	N.cm mini	
Recommended torque			
Mating	NA	N.cm	
Panel nut	NA	N.cm	
Clamp nut	NA	N.cm	
A/F clamp nut	0.0000	mm	
Mating life	100	Cycles mini	
Weight	33.1980	g	

ENVIRONMENTAL

Operating temperature	-55/+90	°C
Hermetic seal	NA	Atm.cm3/s
Panel leakage	NA	

SPECIFICATION

CABLE ASSEMBLY

Stripping	a	b	c	d	e	f
mm	3.5	4	10	0	0	0

Assembly instruction: **Solder 02**

Recommended cable(s)

- RG 402**
- KS 2**
- BELDEN 1673A**
- HC80000-3**
- SUCOFORM 141**

Characteristics indicated on this data sheet are those that can be achieved with the highest performance cable. Intrinsic limitations of the cable may diminish the performance of the assembly

Cable retention

- pull off	150	N mini
- torque	NA	N.cm

TOOLING

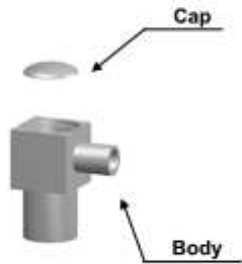
Part Number	Description	Hexagon

OTHER CHARACTERISTICS

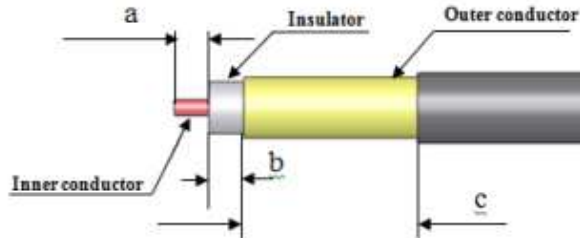
PIM3<-123dBm under 2 carriers of +43dBm

PAGE 3/3	ISSUE 1445A	SERIES 4.3/10	PART NUMBER R183197007
----------	-------------	---------------	------------------------

COMPONENTS



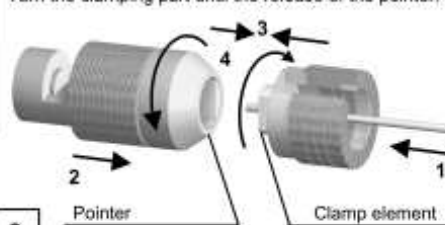
STRIPPING DIMENSIONS



We recommend a cable thermal preconditioning before assembly

1

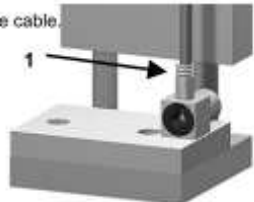
Insert the cable into the clamping element. Present the pointer in front of the clamping element. Push the cable until it stops, while holding the clamping element pushed on the hollow part of the pointer. Turn the clamping part until the release of the pointer.



Pointer Clamp element

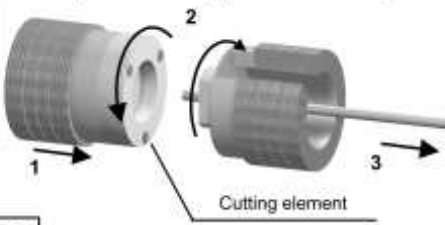
4

Put three rings of solder around the cable. Solder the body onto the cable.



2

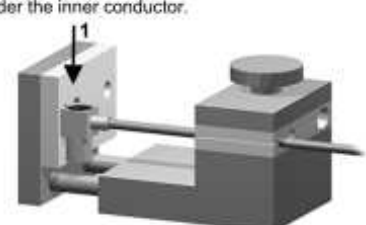
Present the cutting element in front of the cutting element. Push and turn both elements, back part opposite to the front part. Once they reach the stop, pull without revolving.



Cutting element

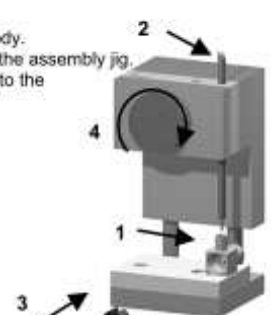
5

After cooling, remove the assembly from the jig. Remove the positioner. Solder the inner conductor.



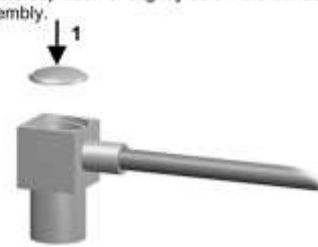
3

Insert the cable into the body. Secure the positioner into the assembly jig. Place the sub-assembly into the assembly jig. Tighten.



6

Place the cap into the body. Press on the cap flush or slightly below the surface of the body assembly.



NOT A PRELIMINARY

X-ON Electronics

Largest Supplier of Electrical and Electronic Components

Click to view similar products for [RF Connectors / Coaxial Connectors](#) category:

Click to view products by [Radiall](#) manufacturer:

Other Similar products are found below :

[8915-1511-000](#) [89674-0827](#) [6001-7071-019](#) [6002-7051-003](#) [6002-7551-202](#) [6059674-1](#) [619550-1](#) [630059-000](#) [M39030/3-01N](#) [6500-7071-046](#) [6769](#) [CX050L2AQ](#) [7002-1541-010](#) [7002-1542-011](#) [7004-1512-000](#) [7009-1511-004](#) [7010-1511-000](#) [7029-1511-060](#) [7101-1541-010](#) [7101-1571-002](#) [7105-1521-002](#) [7145-1521-002](#) [7203-1571-003](#) [7209-1511-011](#) [7210-1511-015](#) [7210-1511-019](#) [73137-5015](#) [73216-2241](#) [73404-2300](#) [7405-1521-005](#) [7405-1521-802](#) [8527](#) [8547](#) [FS11V](#) [877931](#) [8808-1511-001](#) [9074-9513-000](#) [9101-9573-002](#) [910A205F](#) [9130-9573-002](#) [PL11SC-026](#) [PL375-33](#) [PL40-5](#) [PL74C-221](#) [PL75MC-217](#) [PL803-7](#) [1200690078](#) [1-201144-1](#) [R107003010W](#) [R110A172100](#)