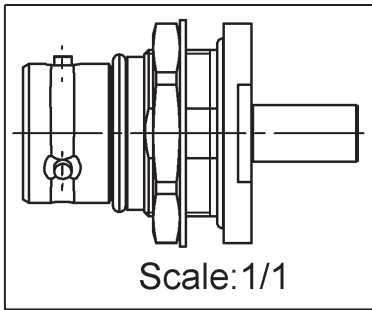
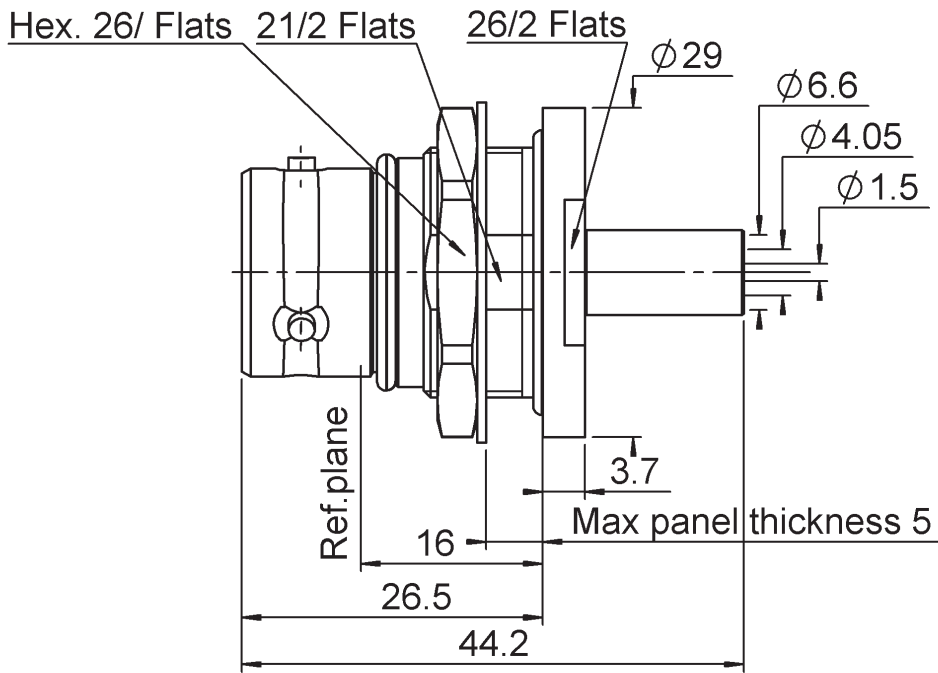
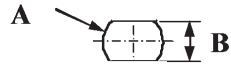


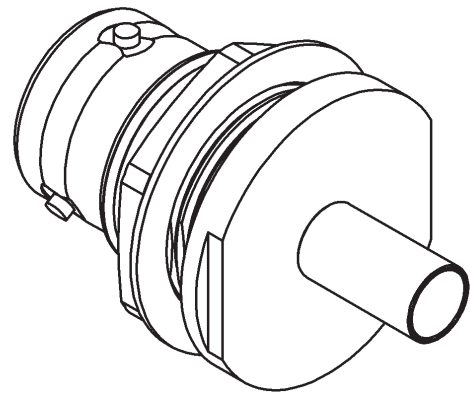
PAGE 1/2	ISSUE 1321A	SERIES QLI	PART NUMBER <b>R184335007</b>
----------	-------------	------------	-------------------------------



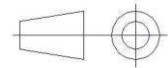
**PANEL CUT OUT**



mm		
	Maxi	mini
A	22.2	22.1
B	21.2	21.1



All dimensions are in mm.



COMPONENTS	MATERIALS	PLATING (µm)
Body	<b>BRASS</b>	<b>BBR</b>
Center contact	<b>BRONZE, BRASS</b>	<b>SILVER</b>
Outer contact	-	-
Insulator	<b>PTFE</b>	
Gasket	<b>SILICONE RUBBER</b>	
Others parts	<b>BRASS</b>	<b>BBR</b>
-	-	
-	-	

PAGE 2/2	ISSUE 1321A	SERIES QLI	PART NUMBER R184335007
----------	-------------	------------	------------------------

### PACKAGING

Standard	Unit	Other
50	Contact us	Contact us

### ELECTRICAL CHARACTERISTICS

Impedance		<b>50</b>	Ω
Frequency		<b>0-6</b>	GHz
VSWR	<b>1.04</b> +	<b>0.020</b>	x F(GHz) Maxi
Insertion loss		<b>0.05</b>	√F(GHz) dB Maxi
RF leakage	- (	<b>NA</b>	- F(GHz)) dB Maxi
Voltage rating		<b>850</b>	Veff Maxi
Dielectric withstanding voltage		<b>1500</b>	Veff mini
Insulation resistance		<b>5000</b>	MΩ mini

### MECHANICAL CHARACTERISTICS

Center contact retention			
Axial force – Mating End		<b>50</b>	N mini
Axial force – Opposite end		<b>30</b>	N mini
Torque		<b>NA</b>	N.cm mini
Recommended torque			
Mating		<b>NA</b>	N.cm
Panel nut		<b>500</b>	N.cm
Clamp nut		<b>NA</b>	N.cm
A/F clamp nut		<b>0.000</b>	mm
Mating life	<b>100</b>		Cycles mini
Weight	<b>73.135</b>		g

### ENVIRONMENTAL

Operating temperature	<b>-55/+120</b>	°C
Hermetic seal	<b>NA</b>	Atm.cm3/s
Panel leakage	<b>NA</b>	

### SPECIFICATION

### CABLE ASSEMBLY

Stripping	a	b	c	d	e	f
mm	<b>4.5</b>	<b>8</b>	<b>17.5</b>	<b>0</b>	<b>13</b>	<b>0</b>

Assembly instruction: **Crimp 01**

Recommended cable(s)  
**LMR 240**  
**AEP-240FR**

Characteristics indicated on this data sheet are those that can be achieved with the highest performance cable. Intrinsic limitations of the cable may diminish the performance of the assembly

Cable retention

- pull off	<b>220</b>	N mini
- torque	<b>NA</b>	N.cm

### TOOLING

Part Number	Description	Hexagon
R282223000	CRIMPING TOOL	6.48
R282235013	CRIMPING DIES	6.48
R282293000	CRIMPING TOOL M22520/5-01	

### OTHER CHARACTERISTICS

**IP 67 for interface**

## X-ON Electronics

Largest Supplier of Electrical and Electronic Components

*Click to view similar products for [RF Connectors / Coaxial Connectors](#) category:*

*Click to view products by [Radiall](#) manufacturer:*

Other Similar products are found below :

[8915-1511-000](#) [89674-0827](#) [6001-7071-019](#) [6002-7051-003](#) [6002-7551-202](#) [6059674-1](#) [619550-1](#) [630059-000](#) [M39030/3-01N](#) [6500-7071-046](#) [6769](#) [CX050L2AQ](#) [7002-1541-010](#) [7002-1542-011](#) [7004-1512-000](#) [7009-1511-004](#) [7010-1511-000](#) [7029-1511-060](#) [7101-1541-010](#) [7101-1571-002](#) [7145-1521-002](#) [7203-1571-003](#) [7209-1511-011](#) [7210-1511-015](#) [7210-1511-019](#) [73137-5015](#) [73216-2241](#) [73404-2300](#) [7405-1521-005](#) [7405-1521-802](#) [8527](#) [8547](#) [FS11V](#) [877931](#) [8808-1511-001](#) [9074-9513-000](#) [9101-9573-002](#) [910A205F](#) [9130-9573-002](#) [PL11SC-026](#) [PL375-33](#) [PL40-5](#) [PL74C-221](#) [PL75MC-217](#) [PL803-7](#) [1200690078](#) [1-201144-1](#) [R107003010W](#) [R110A172100](#) [R112186000](#)